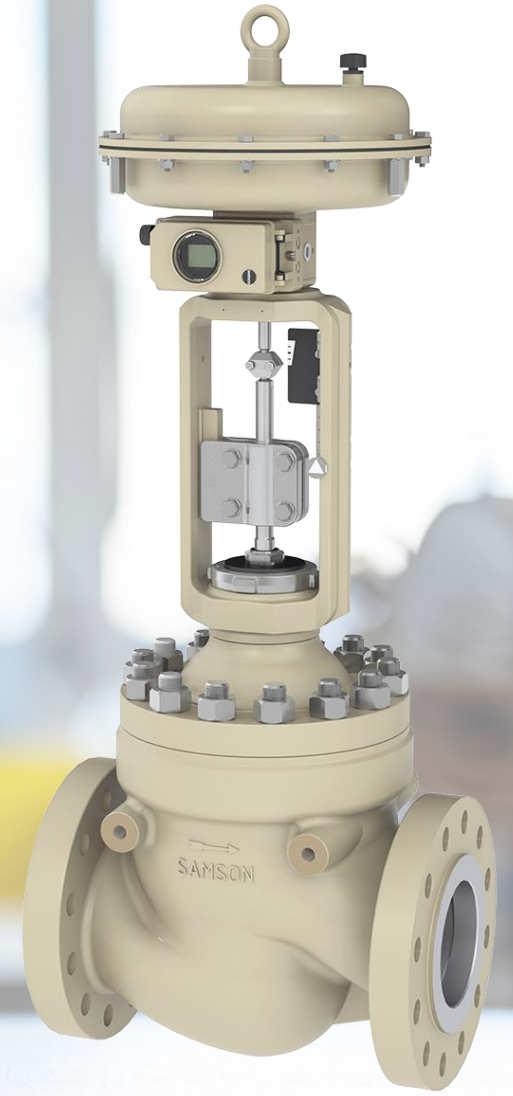


**SAMSON
PRESENTATION**

**AFRICA EXPORT
SALES AGENCY**

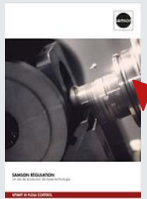




SAMSON AT A GLANCE



For over 100 years, SAMSON has been a **world leader** in the manufacture of **high-quality** control equipment. Our pursuit of excellence leads us to offer a wide range of products and services at the cutting edge of **innovation**.



Consult our brochure to learn more about our production site



AROUND THE WORLD

- 66 countries
- 4 500 employees
- 17 production sites



IN FRANCE

- 300 employees
- 7 sales agencies in France
- +1 sales agency in relation with our partners in Africa



1907 BIRTH OF SAMSON

1962 CREATION OF SAMSON FRANCE

2014 SAMSON FRANCE EXPANDS

2019 SHIFT TOWARDS THE 4.0 INDUSTRY

2023 A NEW BUILDING FOR SAMSON FRANCE

OUR STRENGTHS



PROXIMITY

We are close to the needs of our customers in order to advise and support them throughout their thinking



PERFORMANCE

Thanks to our experience and know-how, we are committed to manufacturing high quality products and offering constantly improving solutions



FLEXIBILITÉ

Our production site allows us to be responsive by delivering quickly but also by designing customized products

SMART IN FLOW CONTROL

OUR OFFER



OUR PRODUCTS

- Control valves
- Self-operated Regulators
- On/Off Valves
- Pneumatic accessories

SAM[®] DIGITAL

OUR DIGITAL OFFERS

Find Alex on
YouTube or on
www.samson.fr !



OUR SERVICES

- A complete support
- Our After-Sales Service
- A sales agency linked to a network of local partners at the service of our African customers



SAMSON BENEFITS



High performance regardless
of the size
of the challenge



Improve the overall performance of
your plant



Easy ordering from a single
supplier
ONE SAMSON

INNOVATION AT THE HEART OF THE SAMSON APPROACH



- **ROLF SANDVOSS INNOVATION CENTER:** our R&D center is the most important test center in Europe.
- **L'USINE DU FUTUR :** continuous improvement of production through the investment in connected robots and machining centers



OUR MARKETS



**CHEMICALS
& PETROCHEMICALS**



OIL & GAS



**PHARMACEUTICALS
& BIOTECHNOLOGY**



**FOOD
& BEVERAGES**

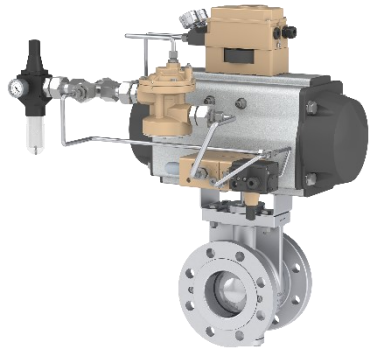


FERTILIZERS

OUR PORTFOLIO

All products in the range come from ISO 9001 certified factories in Europe

MADE IN EUROPE



GLOBE OR ROTARY VALVES

A complete range to meet every need:

- Control or ON/OFF
- Sealing to the outside via packing or metal bellows
- Standard or severe applications
- Vacuum up to 1000 bar
- Pneumatic or electric actuator

SOLUTIONS

Complete units to meet a specific function: steam expansion, desuperheating, etc.

SELF-OPERATED REGULATORS

Self-operated regulators for precise regulation without energy supply

INSTRUMENTATION

Precise positioning, quick venting, hold in position and many other functions can be achieved with our positioners, solenoid valves and pneumatic accessories.

AFRICA EXPORT AGENCY

BACK-OFFICE



Anne-Claire DUCRET
Office Sales Manager



Sylvie MECUCCI-MICUCCI
Office Sales Manager



Valérie MICHELET
Sales assistant



Patrick LOPES
Sales Manager
*Algeria - Libya - Ghana -
Gabon - Morocco*

SALES FORCE



Fabien BOUCHER
Area Sales Manager
Tunisia - Ivory Coast - Cameroon



“ The Africa Export team is at the service of our African customers supported by a strong network of local partners.
Our horizon is growing with you! ”

The Africa Export Sales Agency





OUR PRESENCE



29
represented
countries

8
local partners



ALGERIA



🏠 N°79, Lots Rue LES VERGERS
16005 Bir Mourad Rais - Alger
ALGERIE

☎ +213 23 52 52 41/43
+213 23 52 50 48
+213 770 90 85 41

CONTACT



Ahmed RABHI
Manager
a.rabhi@stcco-dz.com

SMART IN FLOW CONTROL

CAMEROON



🏠 939 Rue Njo Njo
BP 15085
Douala
CAMEROUN

CONTACT



Rene Bikim
Managing Director
+ 237 699 93 26 11 / 233 42 15 42
Rene.bikim@sacimautomation.com

SMART IN FLOW CONTROL

IVORY COAST



🏠 Rue Clément Ader
01 BP 4048
Abidjan 01
CÔTE D'IVOIRE

☎ +225 27 35 47 10
+225 21 35 92 70

✉ soudotec@soudotec.net

CONTACT



Pierre Louis Boudier
Sales Manager
+ 225 07 67 66 98 41

SMART IN FLOW CONTROL

GABON



🏠 B.P. 3681
Libreville
GABON

☎ + 241 01 44 14 06
+ 241 06 00 14 06
+ 241 06 04 30 20

✉ Prodergiega.gm@gmail.com

CONTACT



Giscard Mendou M'Evo
Managing Director
Giscard.mendou@prodergie-gabon.com

GHANA



🏠 46/22 Okuja avenue
P.O box TI516 Taifa
Accra
GHANA

☎ + 233 504 044 452

✉ info@siriusintegrated.com.gh

CONTACT



Edmund Arday
Director
en.arday@sirius-uk.com
+233 504 04 44 52

SMART IN FLOW CONTROL

MOROCCO



🏠 N°88, Bd Chefchaouni Route 110 km
11 500 Z1 AIN SEBAA
Casablanca
MAROC

☎ +212 522 67 42 84
+212 522 34 08 08

✉ contact@sirimaroc.com

CONTACT



Abdessamad Elbennissi
Sales Manager
a.elbennissi@sirimaroc.com

SMART IN FLOW CONTROL

TUNISIA



FOOD & PHARMACEUTICALS

🏠 C-07 Résidence Méditerranée
Bloc Imen
2034 Ez-Zahra
TUNISIE

☎ +216 71 482 711
+216 71 482 712

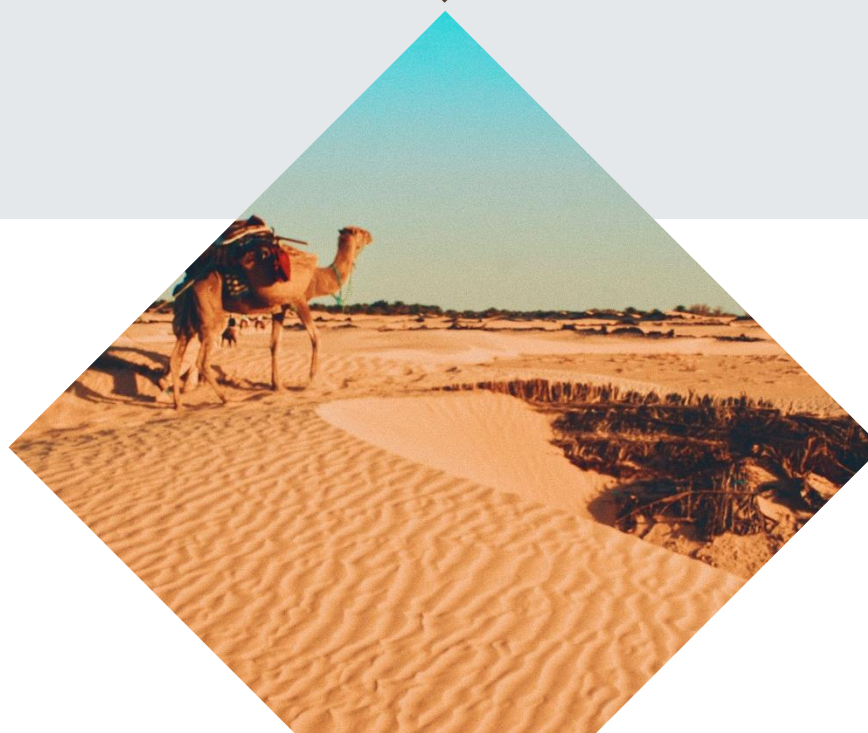
✉ sogecor@planet.tn

CONTACT



Rafik Ayada
Director
ayada.rafik@planet.tn
+216 21 070 007

SMART IN FLOW CONTROL



INDUSTRY

🏠 BP 47
1073 Montplaisir
Tunis
TUNISIE

☎ +216 71 950 960
+216 71 950 930

✉ ksi@planet.tn

CONTACT



Amar Ben Hassouna
Sales Manager
Amar.ksi@planet.tn

STAY INFORMED !



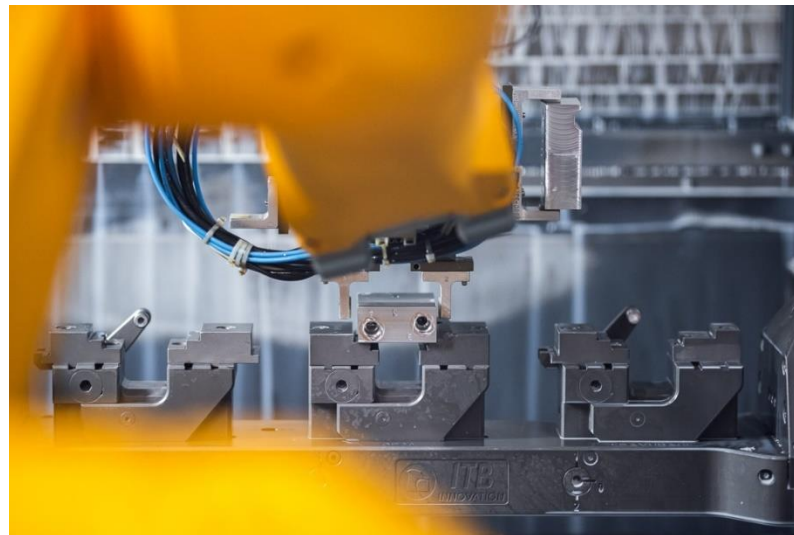
- Find all the news and developments of the company by visiting the website or by subscribing to our LinkedIn page



www.samson.fr



[SAMSON France](#)



AFRICA EXPORT SALES AGENCIE

🏠 1, rue Jean Corona
69120 Vaulx-en-Velin
FRANCE

☎ +33 4 72 04 75 00

✉ Agence.afrique-fr@samsongroup.com

SMART IN FLOW CONTROL