

Strainer

Type 2 N
Type 2 NI



Fig. 1 · Type 2 N/2 NI Strainer

Mounting and Operating Instructions

EB 1015 EN

Edition November 2011

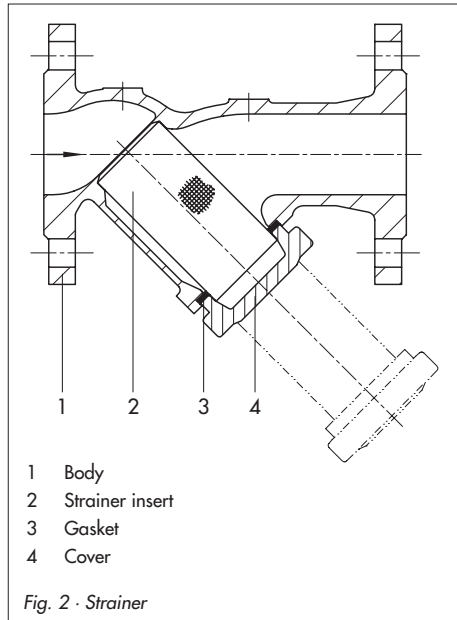
1 Design and principle of operation

Strainers protect downstream plants, assemblies as well as measuring and control equipment from becoming blocked up with dirt particles carried along by the process medium.

The strainers consist of a Y-shaped body with threaded ends, a filter (strainer insert) and a cover for the filter.

Type 2 N is equipped with a single wide-meshed strainer insert. Type 2 NI has a single strainer insert plus an additional fine-meshed internal insert (dual insert).

The process medium flows through the body in the direction indicated by the arrow on the body. Any dirt particles in the pipeline are retained and collected in the strainer insert.



General safety instructions



- ▶ *The strainer is to be assembled, started up or operated by trained and experienced personnel familiar with the product. According to these mounting and operating instructions, trained personnel is referred to as individuals who are able to judge the work they are assigned to and recognize possible dangers due to their specialized training, their knowledge and experience as well as their knowledge of the applicable standards.*
- ▶ *Any hazards that could be caused in the strainer by the process medium and the operating pressure are to be prevented by means of the appropriate measures.*
- ▶ *Proper shipping and appropriate storage are assumed.*

2 Installation

Make sure the direction of flow matches the arrow on the body.

Leave enough space to remove the strainer insert.

Standard installation: Drain flange with the internal strainer insert **points down**.

Exception for steam pipes: Drain flange points **to the side**.

Strainers in vertical pipelines with the medium flowing upward are to be installed with the drain flange pointing up as indicated by the arrow.

In this case, dirt particles are retained but not collected.

In cases where the strainer element may be damaged by the backflow, an additional support cage must be installed. If necessary, install swing check valves or similar devices to prevent backflow.

3 Maintenance

To prevent wear, regularly check whether dirt, which could block the flow through the strainer, has collected. Remove the strainer to do so.



Note:

Shut off and drain the plant section before starting any work on it.

- ▶ Remove the cover (4). Also remove the strainer insert(s) and clean them.
- ▶ Replace damaged strainer inserts (2). Always replace the gasket (3) after the strainer insert has been removed.

Refer to the table below for required spares.

Table 1 · Order no. and cover tightening torques

DN	15	20	25	32	40	50	65	80	100	125	150	200	250	
Part	Order no.													
N	0550-	0222	0223	0224	0225	0226	0227	0228	0229	0230	0231	0232	0233	0234
NI	0550-	0238	0239	0240	0241	0242	0243	0244	0245	0246	0247	0248	0249	0250
Gasket	8422-	0011	0019	0023	0029	0039	0048	0056	0065	0076	0084	0092	0102	8414-1510
Quantity of cover screws	2						4			6		8	10	
Cover tightening torque	~30 Nm				~50 Nm	~100 Nm	~50 Nm			~100 Nm				~170 Nm

N = standard strainer insert NI = dual strainer insert

Dimensions

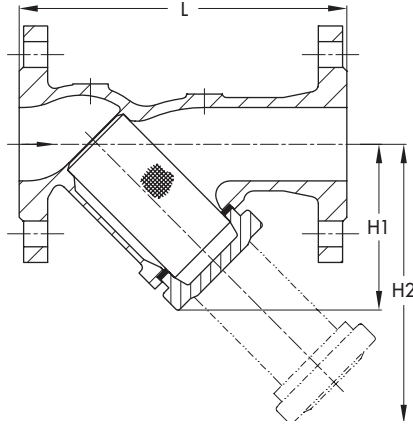


Table 2 · Dimensions in mm and weights in kg

DN	15	20	25	32	40	50	65	80	100	125	150	200	250	
Length L	130	150	160	180	200	230	290	310	350	400	480	600	730	
Height H1	45	60	70	85	95	115	150	180	224	255	290	385	480	
Height H2	75	90	110	135	160	195	225	295	343	420	485	640	790	
Weight Approx. kg EN-JS1049 EN-J11040	PN 6	1.5	2.2	2.9	4.5	5.8	8.1	9.5	14.5	22	32	47	85	145
	PN 10 to 40	1.9	2.8	3.3	5.4	6.5	9.1	12	17	24	36	52	91	152
		1.0619	2.2	3.2	4.0	5.8	7.2	10	14	19	28	42	60	130

Fig. 3 · Strainer dimensions



SAMSON AG · MESS- UND REGELTECHNIK
 Weismüllerstraße 3 · 60314 Frankfurt am Main · Germany
 Phone: +49 69 4009-0 · Fax: +49 69 4009-1507
 Internet: <http://www.samson.de>

EB 1015 EN

S/Z 2011-12