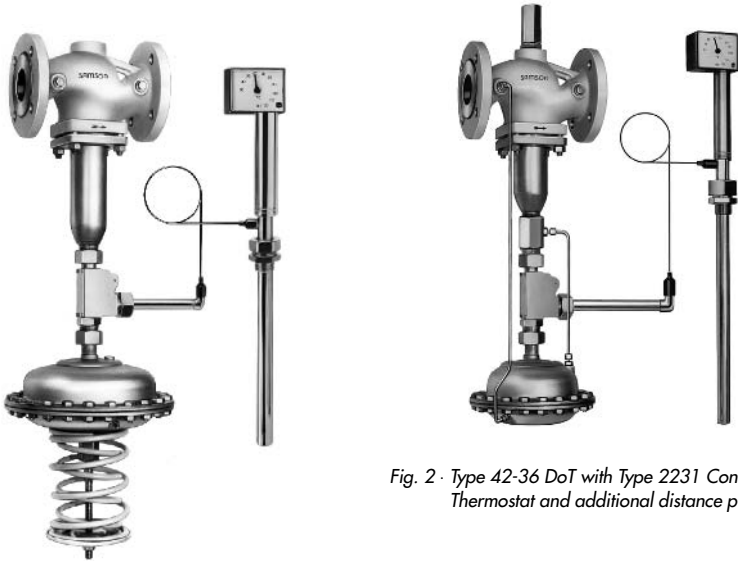


Double adapter for Differential Pressure and Temperature Regulators

Type 42-14 DoT, Type 42-24 DoT, Type 42-28 DoT

Differential Pressure, Flow and Temperature Regulators

Type 42-34 DoT, Type 42-36 DoT, Type 42-37 DoT,
Type 42-38 DoT, Type 42-39 DoT



*Fig. 1 · Type 42-24 A DoT with
Type 2231 Control Thermostat*

*Fig. 2 · Type 42-36 DoT with Type 2231 Control
Thermostat and additional distance piece*

Mounting and operating instructions

EB 3019 EN

Edition April 2003

1. Design and principle of operation

The listed regulators consist of the standard regulator version equipped with a double adapter for the connection of a control thermostat. The additional control thermostat comprises a temperature sensor, a set point adjuster, a capillary tube and an operating element.

The regulators control the differential pressure and/or the flow as well as the temperature according to the adjusted set point.

The travel of the actuator is transferred directly to the plug stem (4) of the control valve over the coupling pin (22).

The travel of the control thermostat (23) attached to the side of the adapter acts on the plug stem over the lever (21).

The plug stem is always adjusted by the device with the largest travel.

Note!

Details can be found in the mounting and operating instructions of the relevant standard regulator versions.

For further details about the thermostat, refer to the mounting and operating instructions EB 2231 EN.

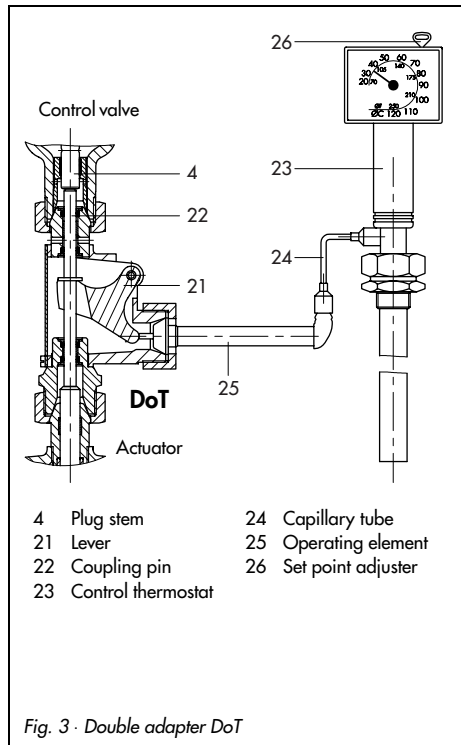


Fig. 3 · Double adapter DoT

Distance piece

Control valves which are unbalanced such as Type 42-14 or Type 42-14 DoT as well as Type 42-18 or Type 42-18 DoT are equipped with a sealed distance piece.

For Type 42-36 DoT, 42-37 DoT and 42-39 DoT Flow Regulators, an additional distance piece with a connection for the low-pressure control line must be used in addition to the double adapter. Connecting dimensions for the distance piece increase by 65 mm.

2. Installation

Control valve, actuator, double adapter, thermostat and, if applicable, a distance piece are delivered separately and need to be assembled on site.

Connect the double adapter to the control valve or the distance piece as illustrated in Fig. 3.

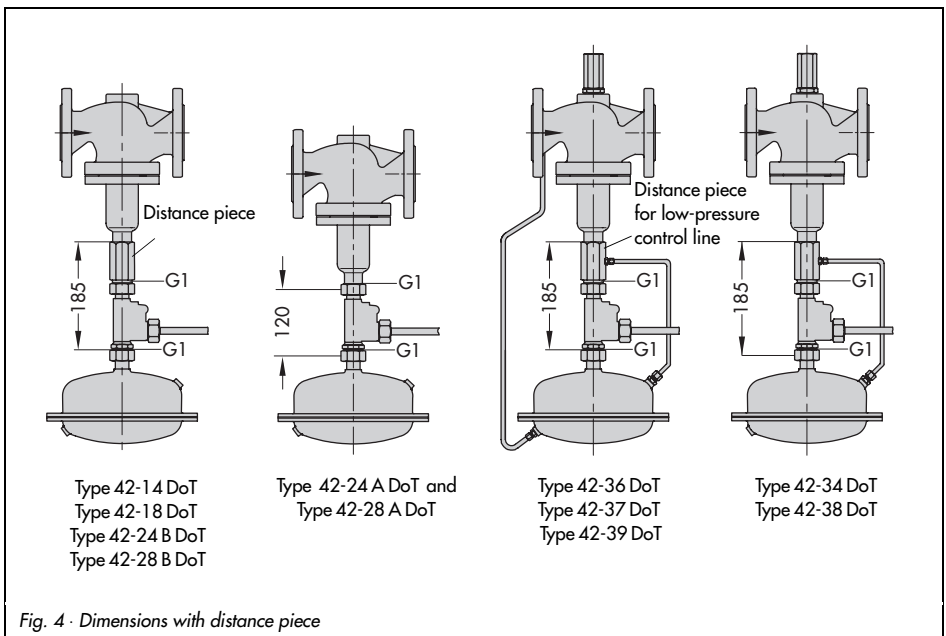
3. Set point adjustment

Depending on the regulator version, first adjust the set point for the differential pressure and the flow rate or pressure (see mounting and operating instructions of the standard regulator version). Do not attach the operating element of the thermostat to the double adapter beforehand.

After adjusting these set points, attach the operating element to the double adapter with a coupling nut.

First adjust the temperature set point according to the dial and the reference thermometer in the plant using the included set point adjuster (26).

Refer to the instructions EB 2231 EN for further details on the thermostat.





SAMSON AG · MESS- UND REGELTECHNIK
Weismüllerstraße 3 · 60314 Frankfurt am Main · Germany
Phone +49 69 4009-0 · Fax +49 69 4009-1507
Internet: <http://www.samson.de>

EB 3019 EN

S/Z 2003-05

Conversion from chromate coating to iridescent passivation



Conversion from chromate coating to iridescent passivation

We at SAMSON are converting the surface treatment of passivated steel parts in our production. As a result, you may receive a device assembled from parts that have been subjected to different surface treatment methods. This means that the surfaces of some parts show different reflections. Parts can have an iridescent yellow or silver color. This has no effect on corrosion protection.

For further information, go to ► www.samson.de/chrome-en.html
