

Application

The frost protection thermostat is used to monitor the temperature in air ducts containing non-corrosive gases.



Type 5312-2 Frost Protection Thermostat

- Temperature monitor (TM) with double-throw switch and automatic reset
- Set point can be adjusted at the adjustment screw when the housing is closed
- Set point range -10 to $+12$ °C
- Capillary made of copper, filled with gas, approx. 6 m in length, sensitive along the entire length of the capillary
- A broken capillary is indicated by the temperature falling below the set point

Principle of operation

The double-throw switch is triggered if the temperature at the sensor rises above the adjusted set point. When the temperature falls below the set point, the switch is automatically reset.

Ordering text

Frost Protection Thermostat Type 5312-2
Optional set of mounting clamps (6 pcs.)

Also available (see Data Sheet T 5206 EN):

- Type 5343 Safety Temperature Monitor (STM)
- Type 5344 Temperature Regulator (TR)
- Type 5345 Safety Temperature Limiter (STL)
- Type 5347 Double Thermostat TR/STL
- Type 5348 Double Thermostat TR/STM
- Type 5349 Double Thermostat STM/STL



Fig. 1 · Type 5312-2 Frost Protection Thermostat

Technical data

| | |
|------------------------|--|
| Type | 5312-2 |
| Set point range | -10 to +12 °C |
| Function | Temperature monitor (TM) |
| Sensor | Copper capillary, approx. 6 m in length, already sensitive in partial ranges of approx. 0.3 m Filled with gas |
| Switching differential | Approx. 1 K |
| Temperature | |
| Medium | Max. +200 °C |
| Housing | -15 to +55 °C, at least as high as the adjusted set point |
| Switching element | Microswitch, 1 changeover contact |
| Contact rating | |
| At 24-250 V~ | 15 (8) A with resistive load 2 A with $\cos \varphi = 0.6$ |
| At 24 V~ | Min. 150 mA |
| Housing | Sheet steel, degree of protection IP 40 |

Installation

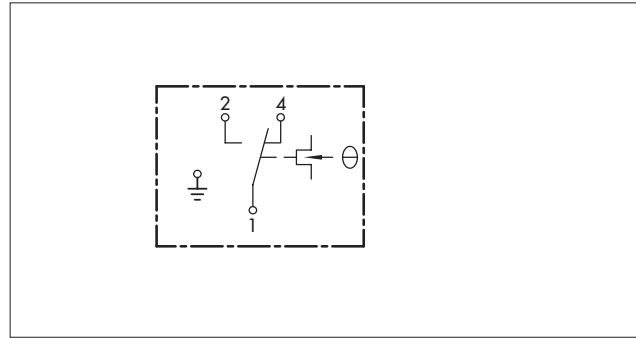
Wall mounting

Mount the housing as close to the point of measurement as possible since the capillary is sensitive along its entire length.

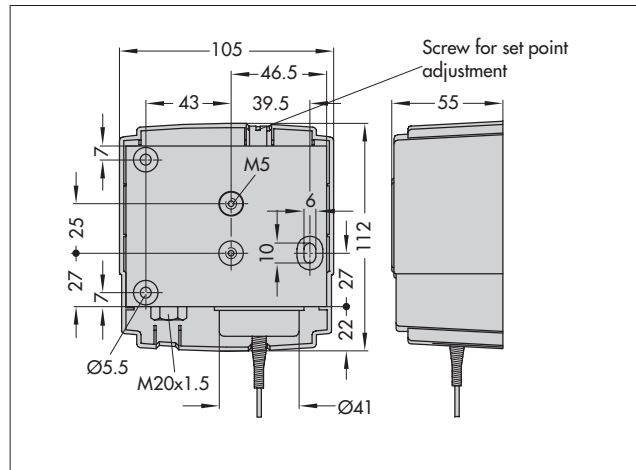
Mounting position

Any mounting position can be chosen.

Electrical connection



Dimensions in mm



Specifications subject to notice.



SAMSON AG · MESS- UND REGELTECHNIK
Weismüllerstraße 3 · 60314 Frankfurt am Main · Germany
Phone: +49 69 4009-0 · Fax: +49 69 4009-1507
Internet: <http://www.samson.de>

T 5207 EN

2010-07