

Application

Optional unit for the TROVIS Series 5500 Controllers for measuring room temperature and for remote control of individual control circuits



Special features

- Direct access to operating modes
- Display of measured room temperature and controller outside temperature
- Display of up to 10 further measured values (max. 5 temperature and 5 dimensionless values) from the associated heating or district heating controller, provided the controller has been set up accordingly
- Setting of main parameters of a heating circuit possible at the room panel:
 - Day and night set points,
 - Times-of-use of the heating circuit,
 - Timer for party mode
- Connection via device bus

Operation

Three keys \uparrow , \downarrow and ⌂ are visible when the front cover is closed.

Using the arrow keys (\uparrow and \downarrow), you can switch successively between time, room temperature in addition to the day set point and night set point, outside temperature and current status of the party mode timer.

By pressing the ⌂ key, you can switch between the operating modes: *Day*, *Night*, *Stand-by* and *Automatic*.

Additional operating keys are accessible when the front cover is opened (Fig. 1). The key ⌂ is marked with $*$ inside.

After pressing the changeover ⏏ key, you can set the controller time, set points for day and night as well as heating times-of-use starting with time schedules 1–7 (Mon–Sun) followed by individual days 1 (Mon), 2 (Tue), 3 (Wed), etc.

A timer for the party mode can be set using the special ⏏ key.

Diverse parameters can be activated and set using the \uparrow , \downarrow and $*$ keys.



Fig. 1 · TROVIS 5570 Room Panel with open front cover

Technical data

Interface Device bus	RS-485 interface for connection to Series 5500 Controllers (2-wire, polarity independent)
Power supply	15 to 36 V DC (polarity independent) 12 to 26.5 V AC, 48 to 62 Hz
Ambient temperature	0 to 50 °C (operation), -10 to 60 °C (storage and transport), 95 % rH, non-condensing
Degree of contamination	2 according to VDE 0110
Noise immunity	Corresponding with EN 61000-6-1
Noise emission	Corresponding with EN 61000-6-3
Dimensions in mm W x H x D	113 x 91 x 30

Electrical connection and mounting

The housing section must be separated from the base before the control panel can be wired and mounted. To proceed, press down the tongue on the bottom of the device and tip the housing section forward to remove it from the base.

To mount the device on a wall, screw the base on the wall. After wiring the device, first push the top of the housing section into the base. Then twist and snap the housing into position.

Ordering text

Room Panel TROVIS 5570

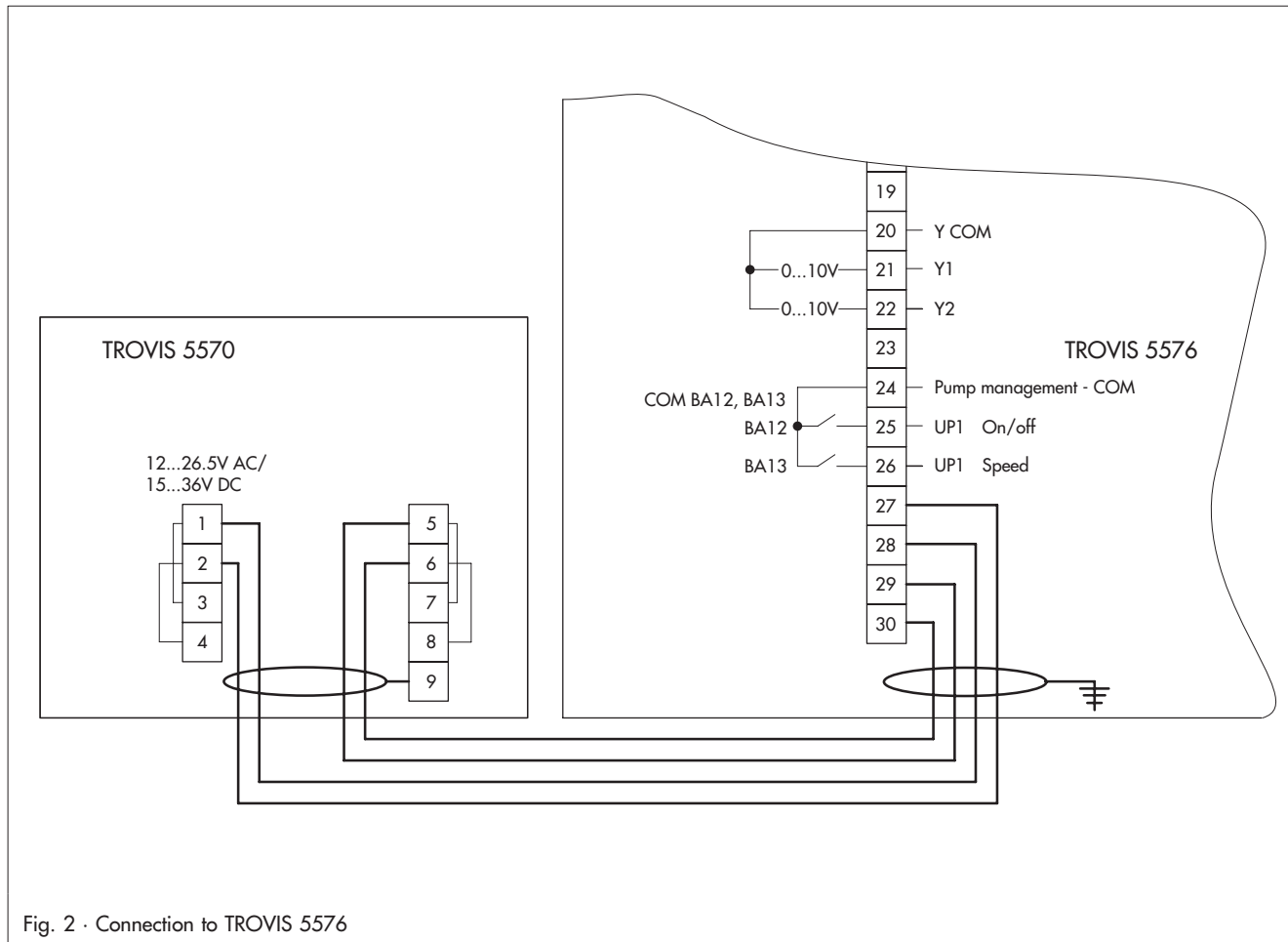


Fig. 2 · Connection to TROVIS 5576

Specifications subject to change without notice.

