

## Series 240

### Electric Control Valve Type 3241/3374 Globe Valve Type 3241

### Electric Control Valve Type 3244/3374 Three-way Valve Type 3244



#### Application

Versatile control valves for industrial applications as well as for heating, ventilation and air-conditioning systems

DN 15 to DN 150 · PN 16 to PN 40 · Temperature range between -196 °C and +450 °C

#### Conversion of valve sizing coefficients:

$C_v$  (in US gallons/min) = 1.17 ·  $Kvs$  (in m<sup>3</sup>/h)

$Kvs$  (in m<sup>3</sup>/h) = 0.86 ·  $C_v$  (in US gallons/min)



Type 3244 Three-way Valve or Type 3241 Globe Valve with Type 3374 Electric Actuator

- Type 3241 Globe Valve · See Data Sheet T 8015 EN
- Type 3244 Three-way Valve · See Data Sheet T 8026 EN

The Type 3374 Electric Actuator is available in various versions (see Data Sheet T 8331 EN for details):

- With additional electrical equipment (limit switches, potentiometers, positioner)

#### Also available

- Electric control valves with other electric actuators (see Data Sheets T 5874 EN, T 8340 EN and T 8331 EN)
- Pneumatic actuators (see Data Sheet T 8015 EN)
- Typetested versions (see Data Sheet T 5871 EN)

#### Installation

The control valves can be installed in any desired position except with the actuator suspended downwards. The actuator is attached to the yoke with a fastening nut.

#### Ordering text

- Electric Control Valve · Type 3241/3374 or 3244/3374
- DN ..., body material ..., PN ...
- For Type 3244: mixing or diverting valve
- Actuator Type 3374:  
Power supply 230/24 V, 50 Hz or 110 V, 60 Hz
- Optionally, special version



Fig. 1 · Type 3241/3374



Fig. 2 · Type 3244/3374

**Table 1 · Overview: Nominal sizes, Kvs coefficients, seat diameters and permissible differential pressures  $\Delta p$  in bar when  $p_2 = 0$  bar**

<b>Table 1.1 · Type 3241/3374-15</b>																					
Kvs coefficient	0.1	0.16	0.25	0.4	0.63	1.0	1.6	2.5	4.0	6.3	10	16	25	40	60	63	80	100	160	200	260
Seat $\varnothing$ [mm]	3			6			12			24		31	38	48	63		80		100	110	130
Travel [mm]	15															30	15	30			
DN																					
15	•	•	•	•	•	•	•	•	•												
20	•	•	•	•	•	•	•	•	•	•											
25	•	•	•	•	•	•	•	•	•	•	•										
32				•	•	•	•	•	•	•	•	•									
40				•	•	•	•	•	•	•	•	•	•								
50				•	•	•	•	•	•	•	•	•	•	•							
65													•	•	•						
80													•	•	•		•				
100																	•		•	•	
125																		•	•	•	
150																	•		•		•
<b><math>\Delta p</math> in bar when <math>p_2 = 0</math> · Nominal thrust: 2.5 kN</b>																					
Unbalanced																					
	40	40	40	40	40	40	40	40	40	40	40	26.5	17.2	10.4	5.7	5.7	3.3	3.3	1.9	1.5	1
Balanced PTFE																					
Without bellows	-	-	-	-	-	-	-	-	-	-	-	-	-	-	-	-	40	40	40	40	40
With bellows	-	-	-	-	-	-	-	-	-	-	-	-	-	-	-	-	40	11.8	10	9	7

<b>Table 1.2 · Type 3244/3374-15</b>																		
Kvs coefficient	2	4	6.3	10	6.3	10	16	25	25	40	60	80	100	140	160	200	300	
Seat $\varnothing$ [mm]	24				31			38	48	63	75	80	90	100	110	130		
Travel [mm]	15												30					
DN																		
15	•	•																
20	•	•	•															
25	•	•	•	•														
32					•	•	•											
40					•	•	•	•										
50					•	•	•	•		•								
65									•	•	•							
80									•	•	•	•						
100													•		•			
125														•		•		
150																•	•	
<b><math>\Delta p</math> in bar when <math>p_2 = 0</math> · Nominal thrust: 2.5 kN</b>																		
	40	40	40	40	26.5	26.5	26.4	17.2	10.4	10.4	5.7	3.9	3.3	2.5	1.9	1.5	1.0	

**Table 2 · Dimensions and weights**

Table 2.1 · Type 3241 Globe Valve (without actuator)												
Nominal size	DN	15	20	25	32	40	50	65	80	100	125	150
Length L	mm	130	150	160	180	200	230	290	310	350	400	480
Height H1	mm	H2 + H										
Height H2	mm	220	220	220	220	220	220	260	260	350	363	390
Height H3	mm	61	61	61	61	61	61	61	61	75	75	75
Height H4, valve closed	mm	75	75	75	75	75	75	75	75	90	90	90
Height H5	mm	44	44	44	72	72	72	98	98	118	144	175
Weight	kg	5	6	7	11	12	15	24	30	42	80	120

Table 2.2 · Type 3241 Globe Valve with extension bonnet/with bellows seal (without actuator)													
Nominal size	DN	15	20	25	32	40	50	65	80	100	125	150	
Height H9	Short/with bellows	mm	408	408	408	408	408	408	450	450	635	625	655
	Long/long w. bellows	mm	710	710	710	712	712	712	754	754	883	885	912
Weight	Short/with bellows	kg	8	9	10	17	18	21	32	38	60	105	150
	Long/long w. bellows	kg	12	13	14	21	22	25	36	42	68	113	158

Table 2.3 · Type 3241 Globe Valve with heating jacket (not for valve bodies made of EN-JL1040 or EN-JS1049)					
Nominal size	DN	25	50	80	100
a	mm	110	140	180	200
b	mm	15	20	35	50
c	mm	140	170	215	250

Table 2.4 · Type 3374 Actuator		
Height H	mm	204
Height H6	mm	150 (min. clearance required to disassemble the actuator) / 300 (Cover screws are mounted from top)
Weight	approx. kg	3.2

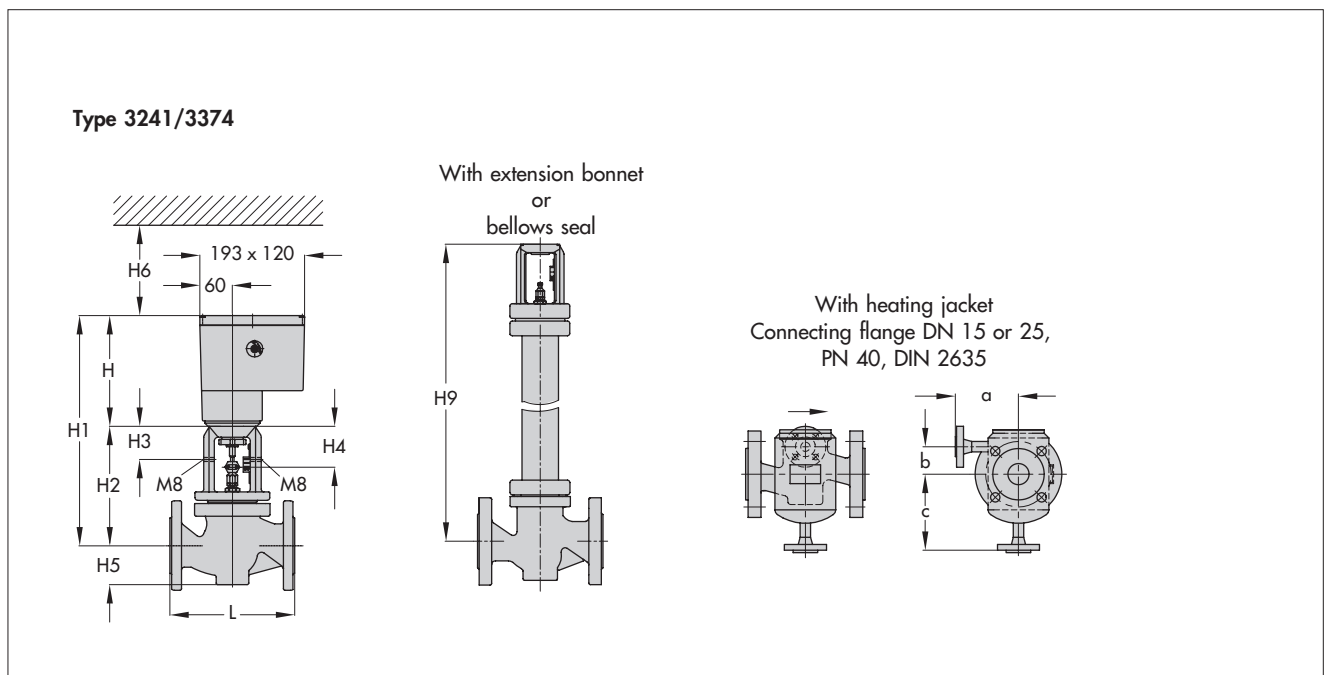
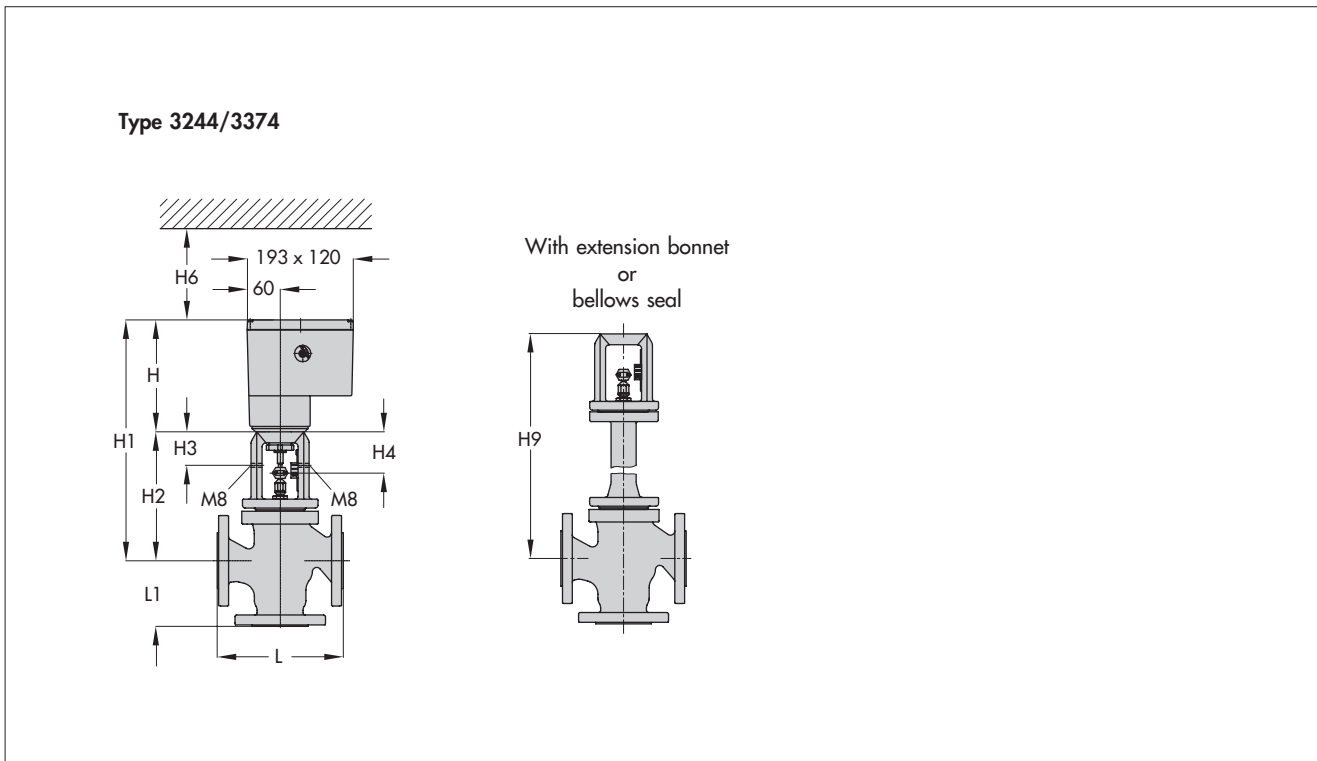


Table 2.5 · Type 3244 Three-way Valve (without actuator)												
Nominal size	DN	15	20	25	32	40	50	65	80	100	125	150
Length L	mm	130	150	160	180	200	230	290	310	350	400	480
Height L1	mm	70	80	85	100	105	120	130	140	150	200	210
Height H1	mm	H2 + H										
Height H2	mm	235	235	235	235	235	235	270	270	360	375	375
Height H3	mm	61	61	61	61	61	61	61	61	75	75	75
Height H4, valve closed	mm	75	75	75	75	75	75	75	75	90	90	90
Weight	kg	6	7	8	14	15	17	31	37	49	93	135

Table 2.6 · Type 3244 Three-way Valve with extension bonnet/with bellows seal (without actuator)												
Nominal size	DN	15	20	25	32	40	50	65	80	100	125	150
Height Short/with bellows	mm	420	420	420	410	410	410	435	435	635	600	615
Height H9 Long/long w. bellows	mm	725	725	725	715	715	715	740	740	875	840	855
Weight Short/with bellows	kg	9	10	11	20	21	23	39	45	67	118	165
Weight Long/long w. bellows	kg	12	14	16	24	25	27	43	49	95	126	173

Table 2.7 · Type 3374 Actuator		
Height H	mm	204
Height H6	mm	150 (min. clearance required to disassemble the actuator) / 300 (Cover screws are mounted from top)
Weight	approx. kg	3.2



Specifications subject to change without notice.

