

Series 240

Electric Control Valve Type 3241/3274 Globe Valve Type 3241

Electric Control Valve Type 3244/3274 Three-way Valve Type 3244



Application

Versatile control valves for industrial applications as well as for heating, ventilation and air-conditioning systems
DN 15 to DN 150 · PN 16 to PN 40 · -196 °C and +450 °C

Conversion of valve sizing coefficients:

C_v (in US gallons/min) = 1.17 · K_{vs} (in m³/h)
 K_{vs} (in m³/h) = 0.86 · C_v (in US gallons/min)



Type 3244 Three-way Valve or Type 3241 Globe Valve with Type 3274 Electric Actuator

- Type 3241 Globe Valve · See Data Sheet T 8015 EN
- Type 3244 Three-way Valve · See Data Sheet T 8026 EN

The Type 3274 Electrohydraulic Actuator is available in various versions (see Data Sheet T 8340 EN for details):

- With electric override
- With mechanical override
- With fail-safe action
- With additional electrical equipment (limit switches, potentiometer, positioner)

Also available

- Typetested versions · See Data Sheet T 5871 EN

Ordering text

- Electric Control Valve Type 3241/3274 or Type 3244/3274
- DN ..., body material ..., PN ...
- Actuator Type 3274-..
- Power supply ... V, ... Hz
- Optionally, special version



Fig. 1 · Type 3241/3274

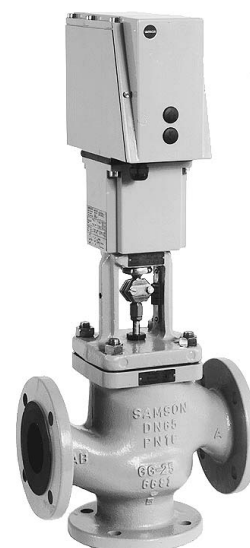


Fig. 2 · Type 3244/3274

Table 1 · Overview: Nominal sizes, K_{VS} coefficients, seat diameters and permissible differential pressures Δp when $p_2 = 0$ bar

Table 1.1 · Type 3241/3274 unbalanced																					
K_{VS} coefficient	0.1	0.16	0.25	0.4	0.63	1.0	1.6	2.5	4.0	6.3	10	16	25	40	60	63	80	100	160	200	260
Seat \varnothing [mm]	3			6			12			24		31	38	48	63		80		100	110	130
Travel [mm]	15														30	15	30				
DN																					
15	•	•	•	•	•	•	•	•	•	•											
20	•	•	•	•	•	•	•	•	•	•											
25	•	•	•	•	•	•	•	•	•	•	•										
32				•	•	•	•	•	•	•	•	•									
40				•	•	•	•	•	•	•	•	•	•								
50				•	•	•	•	•	•	•	•	•	•	•							
65													•	•	•						
80													•	•	•		•				
100																•		•	•		
125																		•	•	•	
150																•			•		•
Δp in bar when $p_2 = 0$ · See T 8340 EN for nominal thrusts																					
Unbalanced																					
-11/-15/-21	40	40	40	40	40	40	40	40	40	35.2	35.2	20.5	13.2	7.9	4.3	3.6	2.4	2.0	1.1	-	-
-12/-16/-23	-	-	-	-	-	-	-	-	-	40	40	37	24.5	15	8.4	7.2	5.0	4.2	2.5	2.0	1.3
-13/-17	-	-	-	-	-	-	-	-	-	40	40	40	31.5	19.5	11	11	6.6	6.6	4.0	3.3	2.2
-14/-18	-	-	-	-	-	-	-	-	-	-	-	40	36.5	21	19.5	12.8	12	7.5	6.1	4.3	
-22	-	-	-	-	-	-	-	-	-	31	31	18	11.5	6.9	3.7	3.6	2.1	2.0	1.1	-	-
Balanced (PTFE)/without metal bellows																					
-11/-15/-21	-	-	-	-	-	-	-	-	-	-	-	-	-	-	-	40 ¹⁾	39 ³⁾	29	25	15	
-13/-17	-	-	-	-	-	-	-	-	-	-	-	-	-	-	-	40 ¹⁾	40 ³⁾	40	40	40	
-22	-	-	-	-	-	-	-	-	-	-	-	-	-	-	-	40	39	29	25	15	
Balanced (PTFE)/with metal bellows																					
-11/-15/-21 ²⁾	-	-	-	-	-	-	-	-	-	-	-	-	-	-	-	27	5.6 ³⁾	3.8	2.8	0.9	
-13/-17	-	-	-	-	-	-	-	-	-	-	-	-	-	-	-	40 ¹⁾	27.8 ²⁾	26	25	23.1	
-22	-	-	-	-	-	-	-	-	-	-	-	-	-	-	-	21	5.6	3.8	2.8	0.9	

¹⁾ Balanced in DN 80 and higher

²⁾ DN 100 only

³⁾ Not DN 150

Table 1.2 · Type 3244/3274 as mixing and diverting valve																					
K_{VS} coefficient	2	4	6.3	10	6.3	10	16	25	25	40	60	80	100	140	160	200	300				
Seat \varnothing	24				31			38	48		63	75	80	90	100	110	130				
DN																					
15	•	•																			
20	•	•	•																		
25	•	•	•	•																	
32					•	•	•														
40					•	•	•	•													
50					•	•	•	•													
65									•	•	•										
80									•	•	•	•									
100													•			•					
125														•			•				
150																	•		•		
Δp in bar when $p_2 = 0$ · See T 8340 EN for nominal thrusts																					
-11/-15/-21	35.2	35.2	35.2	35.2	20.5	20.5	20.5	13.2	7.9	7.9	4.3	2.8	2	1.5	1.1	0.8	0.5				
-13	40	40	40	40	40	40	40	31.6	19.5	19.5	11	7.5	6.6	5.0	4.0	3.3	2.2				

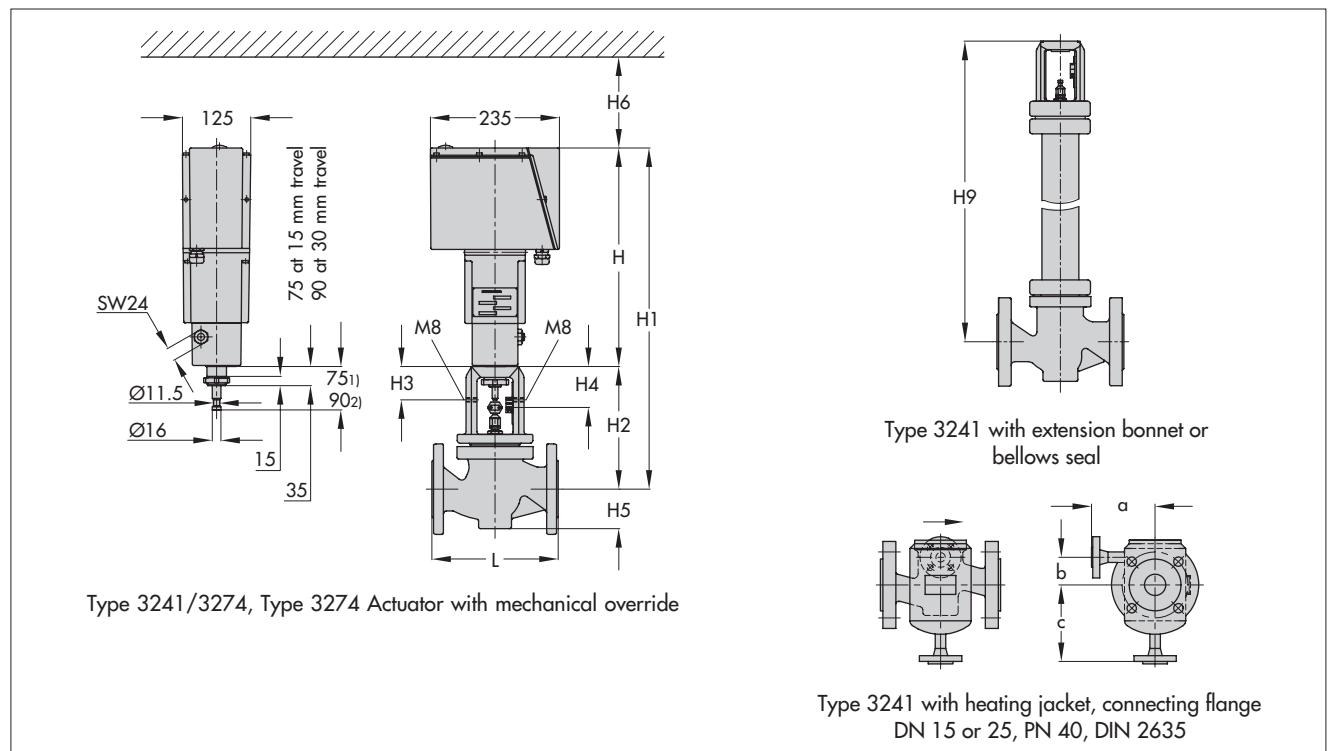
Table 2 · Dimensions and weights

Nominal size	DN	15	20	25	32	40	50	65	80	100	125	150
Length L	mm	130	150	160	180	200	230	290	310	350	400	480
Height H1	mm	H2 + H										
Height H2	mm	220	220	220	220	220	220	260	260	350	363	390
Height H3	mm	61	61	61	61	61	61	61	61	75	75	75
Height H4, valve closed	mm	75	75	75	75	75	75	75	75	90	90	90
Height H5	mm	44	44	44	72	72	72	98	98	118	144	175
Weight	kg	5	6	7	11	12	15	24	30	42	80	120

Nominal size	DN	15	20	25	32	40	50	65	80	100	125	150
Height	Short/with bellows	mm	408	408	408	408	408	450	450	635	644	671
H9	Long/long w. bellows	mm	710	710	710	712	712	754	754	883	885	912
Weight	Short/with bellows	kg	8	9	10	17	18	21	32	38	60	105
	Long/long w. bellows	kg	12	13	14	21	22	25	36	42	68	113

Nominal size	DN	25	50	80	100
a	mm	110	140	180	200
b	mm	15	20	35	50
c	mm	140	170	215	250

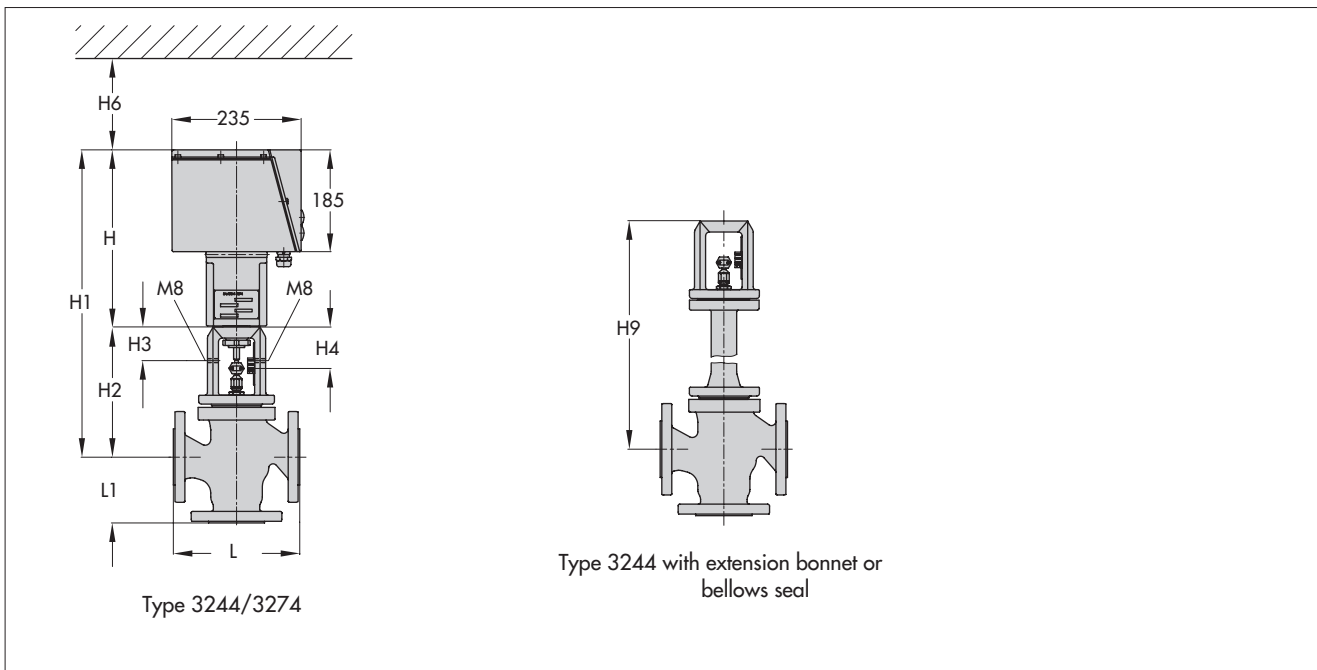
Type 3274 Actuator		-11 to -14/-21 to -23	-15 to -18
Height H	mm	320	412
Height H6	mm	150	150
Weight	kg	11	13



Nominal size	DN	15	20	25	32	40	50	65	80	100	125	150
Length L	mm	130	150	160	180	200	230	290	310	350	400	480
Length L1	mm	70	80	85	100	105	120	130	140	150	200	210
Height H1	mm	H2 + H										
Height H2	mm	235	235	235	235	235	235	260	260	350	335	355
Height H3	mm	61	61	61	61	61	61	61	61	75	75	75
Height H4, valve closed	mm	75	75	75	75	75	75	75	75	90	90	90
Weight	kg	6	7	8	14	15	17	31	37	49	93	135

Nominal size	DN	15	20	25	32	40	50	65	80	100	125	150
Height H9	Short/with bellows	mm	420	420	420	410	410	410	435	435	635	615
	Long/long with bellows	mm	725	725	725	715	715	715	740	740	875	855
Weight	Short/with bellows	kg	9	10	11	20	21	23	39	45	67	118
	Long/long with bellows	kg	12	14	16	24	25	27	43	49	95	173

Type 3274 Actuator		-11 to -14/-21 to -23	-15 to -18
Height H	mm	320	412
Height H6	mm	150	150
Weight	approx. kg	11	13



Specifications subject to change without notice.

