

Notes for Type 2430 K Thermostats (vapor pressure principle)



Mounting

Observe the correct mounting position as indicated by the following marking when installing the temperature sensor:

Vertical mounting position

- Sensor tip pointing upward
- Sensor tip pointing downward

Horizontal mounting position

Turn the sensor so that the notch at the end of the sensor faces upward.

Type 2430 Thermostat (45 to 65 °C)	Sensor material	Mounting position of the sensor
Var.-ID 1045853 1067861	Cu CrNiMo	Horizontal to vertical with the sensor tip pointing upward
Var.-ID 1045883 1072710	Cu CrNiMo	Horizontal to vertical with the sensor tip pointing downward
Sensor dimensions Screw gland		Ø 10x170 G ½

The thermostat is designed for use in instantaneous water heaters¹⁾.

Type designation and temperature range (45 to 65 °C/55 to 75 °C) are written on the scaled cap.

¹⁾ Version for plate heat exchangers on next page

Mounting instructions

With plate heat exchanger:

Type 2430 (45 to 65 °C)	Sensor material	Sensor dimensions, screw gland
Var.-ID 1109125	CrNiMo	Ø 12x190, without ¹⁾
Var.-ID 1058730		Ø 12x190, G ½

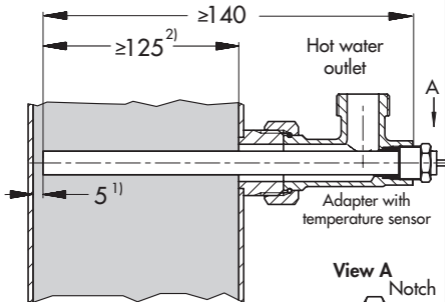
¹⁾ With Type 43-8

Insert the sensor only horizontally into the hot water duct. Observe the mounting position with the notch facing upward.

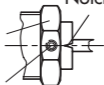
Screw the sensor's threaded connection into the adapter. Align the sensor and tighten it by hand using the clamping screw.

Observe the dimensions specified in the drawing on the right.

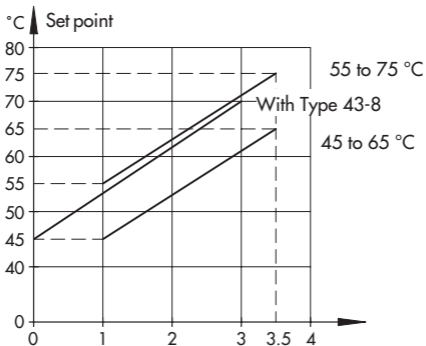
- ¹⁾ Plate heat exchanger < 130 mm
²⁾ Plate heat exchanger > 130 mm



Screw connection
(max. 20 Nm)
Clamping screw
2.5 mm hex socket screw



Adjustment diagram



Set point adjustment

Turn the black plastic ring to adjust the desired temperature set point, observing the adjustment diagram on the left.

Note! Do not remove these instructions from the thermostat.



SAMSON AG · MESS- UND REGELTECHNIK
Weismüllerstraße 3 · 60314 Frankfurt · Germany
Phone: +49 69 4009-0 · Fax: +49 69 4009-1507
Internet: <http://www.samson.de>