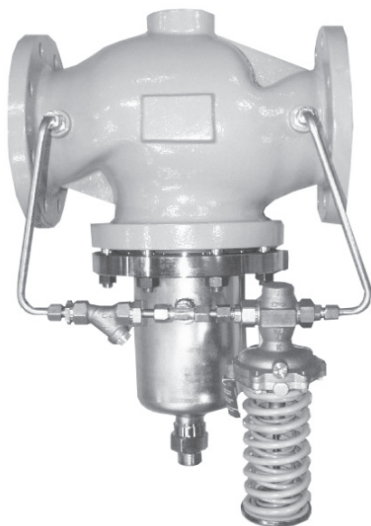


# Self-operated Pressure Regulators



Type 2333 Pressure Reducing Valve with pilot valve



Type 2333 Pressure Reducing Valve

## Mounting and Operating Instructions

**EB 2552-1 EN**

Edition November 2014



## Definition of signal words



### **DANGER!**

*Hazardous situations which, if not avoided, will result in death or serious injury*



### **WARNING!**

*Hazardous situations which, if not avoided, could result in death or serious injury*



### **NOTICE**

*Property damage message or malfunction*



### **Note:**

*Additional information*



### **Tip:**

*Recommended action*

<b>1</b>	<b>General safety instructions</b> .....	<b>4</b>
<b>2</b>	<b>Process medium and scope of application</b> .....	<b>5</b>
2.1	Transportation and storage .....	5
<b>3</b>	<b>Design and principle of operation</b> .....	<b>6</b>
<b>4</b>	<b>Installation</b> .....	<b>9</b>
4.1	Notes on installation .....	9
4.2	Strainers .....	10
4.3	Shut-off valve.....	10
4.4	Pressure gauges .....	10
<b>5</b>	<b>Operation</b> .....	<b>11</b>
5.1	Start-up.....	11
5.2	Steam applications.....	11
5.3	Set point adjustment.....	11
5.4	Decommissioning .....	12
<b>6</b>	<b>Maintenance</b> .....	<b>13</b>
<b>7</b>	<b>Nameplate</b> .....	<b>17</b>
<b>8</b>	<b>Technical data</b> .....	<b>18</b>
<b>9</b>	<b>Dimensions</b> .....	<b>20</b>
<b>10</b>	<b>Customer service</b> .....	<b>22</b>



### 1 General safety instructions

- The regulator must be mounted, started up or serviced by fully trained and qualified personnel only; the accepted industry codes and practices are to be observed. Make sure employees or third persons are not exposed to any danger.
- All safety instructions and warnings given in these mounting and operating instructions, particularly those concerning installation, start-up and maintenance, must be strictly observed.
- According to these mounting and operating instructions, trained personnel refers to individuals who are able to judge the work they are assigned to and recognize possible dangers due to their specialized training, their knowledge and experience as well as their knowledge of the applicable standards.
- The regulators comply with the requirements of the European Pressure Equipment Directive 97/23/EC. The declaration of conformity issued for a regulator bearing the CE marking includes information on the applied conformity assessment procedure. The declaration of conformity is available on request.
- To ensure appropriate use, only use the regulator in applications where the operating pressure and temperatures do not exceed the specifications used for sizing the regulator at the ordering stage.
- The manufacturer does not assume any responsibility for damage caused by external forces or any other external factors.
- Any hazards that could be caused in the valve by the process medium, operating pressure or by moving parts are to be prevented by taking appropriate precautions.
- Proper transport, storage, installation, operation and maintenance are assumed.

## 2 Process medium and scope of application

Pressure regulators for set points from 2 to 28 bar · Valve nominal sizes DN 125 to 400 · Nominal pressure PN 16 to 40 · Suitable for liquids, gases and vapors up to 350 °C

The differential pressure across the regulator is used as auxiliary energy to operate the valve. To open the regulator, this pressure must be at least as high as the minimum differential pressure  $\Delta p_{\min}$  specified in Table 1.

The mounted pilot valve (pressure reducing valve) determines the function of the regulator.

**WARNING!**

*Risk of uncontrolled excess pressure in the plant.*

*Risk of bursting!*

*A suitable overpressure protection must be installed on site in the plant section.*

---

### 2.1 Transportation and storage

The regulator must be carefully handled, transported and stored. Protect the regulator against adverse influences, such as dirt, moisture or temperature outside the ambient temperature range.

Do not remove the protective caps from the valve ports until immediately before installing the valve into the pipeline.

When regulators are too heavy to be lifted by hand, fasten the lifting sling at a suitable place on the valve body.

**WARNING!**

*Do not attach lifting slings or supports to mounting parts, such as control line, pilot valve etc.*

*The valve can fall or mounting parts may be damaged.*

*Securely fasten slings or supports to the valve body and secure against slipping.*

---

### 3 Design and principle of operation

See Fig. 1 and Fig. 2.

The medium flows through the globe valve (1) in the direction indicated by the arrow. The position of the plug determines the flow rate across the area released between plug (3) and valve seat (2). The travel position of the pilot valve (5) determines the pressure conditions across the valve.

The forces created by the upstream pressure  $p_1$  acting on the plug surface and by the control pressure  $p_s$  acting on the balancing bellows (4) or balancing diaphragm (11) and the force of positioning spring (3.1) are compared.

In the Type 2333 Pressure Reducing Valve, a rise in downstream pressure  $p_2$  causes the pilot valve to close. The control pressure  $p_s$  increases, and the plug of the main valve starts to close. When the pilot valve is closed ( $p_s = p_1$ ), the pressure reducing valve (main valve) is also completely closed.

Together with the pilot valve, the fixed restriction (8) or the Venturi nozzle (6) create the control pressure  $p_s$ .

If the downstream pressure  $p_2$  falls again below the set point, the pilot valve opens. The control pressure  $p_s$  falls as a result. The force resulting from the upstream pressure  $p_1$  acting on the plug surface causes the valve to open.

To ensure proper functioning, the minimum differential pressure  $\Delta p_{\min}$  listed in Table 1 must be available as specified depending on the field of application.

The regulator version for **steam** is only available with valves balanced by a bellows. This version has a condensation chamber (10) already fitted in the control line. The needle valve (9) is open and lead-sealed.

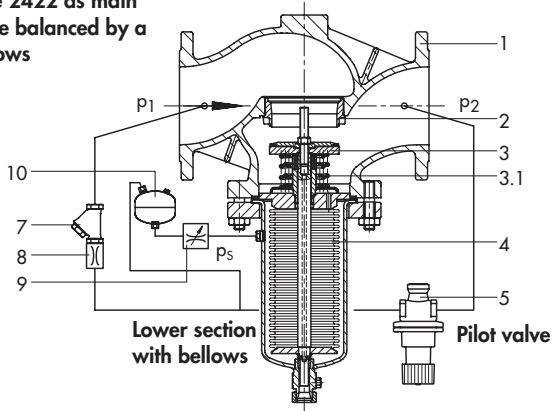
Before start-up, fill the condensation chamber with water at the top filler opening.

**Table 1:** Minimum differential pressure  $\Delta p_{\min}$

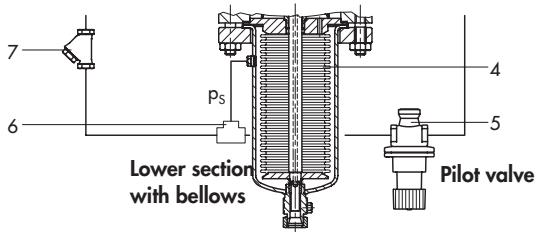
Nominal size		DN 125	DN 150	DN 200	DN 250	DN 300	DN 400
Minimum differential pressure $\Delta p_{\min}$	Valve balanced by a bellows for steam applications	1.9 bar	2.0 bar	1.4 bar	1.4 bar	–	–
	Valve balanced by a bellows for air/water	1.0 bar	1.0 bar	0.7 bar	0.7 bar	–	–
	Valve balanced by a diaphragm	0.8 bar	0.8 bar	0.4 bar	0.4 bar	0.5 bar	0.3 bar

Type 2333 Pressure Reducing Valve · Type 2422 Valve, **balanced by a bellows** · DN 125 to 250

**Type 2422 as main valve balanced by a bellows**



Version suitable for steam

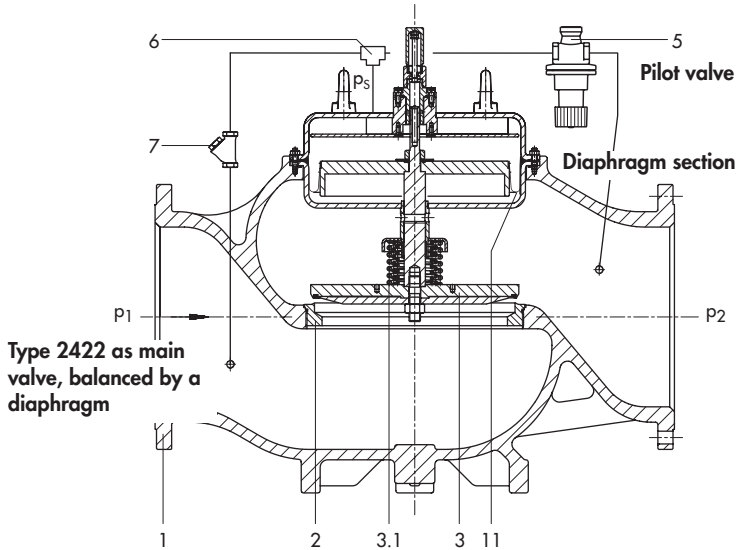


Version suitable for liquids and gases

- |     |  |       |   |
|-----|--|-------|---|
| 1   | Globe valve (main valve)               | 8     | Fixed restriction (version for steam)                                     |
| 2   | Valve seat                             | 9     | Needle valve (version for steam)  |
| 3   | Plug with plug stem                    | 10    | Condensation chamber (only for steam or medium temperatures above 150 °C) |
| 3.1 | Positioning spring                     | $p_s$ | Control pressure  |
| 4   | Balancing bellows                      | $p_1$ | Upstream pressure   |
| 5   | Pilot valve                            | $p_2$ | Downstream pressure   |
| 6   | Venturi nozzle (for gases and liquids) |       |   |
| 7   | Strainer                               |       |   |

**Fig. 1:** Functional diagram of valve balanced by a bellows

Type 2333 Pressure Reducing Valve · Type 2422 Valve, **balanced by a diaphragm** · DN 125 to 400



- |     |                         |       |                     |
|-----|-------------------------|-------|---------------------|
| 1   | Valve body (main valve) | $p_s$ | Control pressure    |
| 2   | Valve seat              | $p_1$ | Upstream pressure   |
| 3   | Plug with plug stem     | $p_2$ | Downstream pressure |
| 3.1 | Positioning spring      |       |                     |
| 5   | Pilot valve             |       |                     |
| 6   | Venturi nozzle          |       |                     |
| 7   | Strainer                |       |                     |
| 11  | Balancing diaphragm     |       |                     |

Fig. 2: Functional diagram of valve balanced by a diaphragm



## 4 Installation

See Fig. 3.

Select the installation location making sure that the regulator is installed at a distance of at least six times the nominal size (DN) away from pipe fittings, instruments or flow diversions. They can change the flow conditions which may lead to an instable control process especially in applications with gases, air or steam.

Contact SAMSON to obtain the TV-SK 17041 documentation which contains more details on installation requirements.

### 4.1 Notes on installation

Install the ready-assembled regulator in horizontal pipelines.

- Flush and clean the pipeline thoroughly before installing the regulator. Otherwise, impurities in the pipeline may impair the proper functioning of the valve, above all the tight shut-off.
- Direction of flow must match the direction indicated by the arrow on the body.
- Install the regulator free of stress. If necessary, support the pipeline near to the connecting flanges. Do not attach supports directly to the valve or actuator.
- Install a strainer upstream of the regulator.
- Protect the regulator from icing up when controlling media that can freeze. If necessary, depressurize and drain the regulator and remove it from the pipeline while the plant is shut down.



#### Note:

The side on which the operating elements (hook-up of the pilot valve) are located varies depending on whether a valve balanced by a bellows or a diaphragm is used.

#### Mounting position

##### Valve balanced by a bellows

- Bellows including housing suspended downward



##### Valve balanced by a diaphragm

- Balancing diaphragm (diaphragm section) pointing upward

**Insulation** · To insulate cold systems, we recommend first filling the plant and carefully rinsing it (see section 5.1). The regulator must not be insulated until the set point is adjusted.

- Start up the plant and adjust the set point. Shut down the plant again and let it warm up until the condensation water has dried off.
- Afterwards, insulate the regulator and pipes conveying the process medium using insulation material with a water vapor barrier. If the pilot valve has a spring, it must be protected by a sleeve to allow it to move. The spring-loaded actuator stem must not touch the insulation.

## Thermal insulation



### Note:

Do not insulate the pilot valve as well in applications with medium temperatures above 80 °C.

- The filter element must be installed to hang downwards or sideways for applications with steam.



### Tip:

Remember to leave enough space to remove the filter element.

**Pressure testing of the plant** · The pressure must not exceed the maximum permissible pressure of the regulator and plant on testing the pressure of the plant when the regulator is already installed. An excessive test pressure can damage the balancing bellows or diaphragm. If necessary, remove the regulator from the pipeline or isolate the regulator in the pipeline and install a bypass.

## 4.2 Strainers

Install the strainer (e.g. SAMSON Type 1/ Type 2) upstream of the pressure reducing valve.

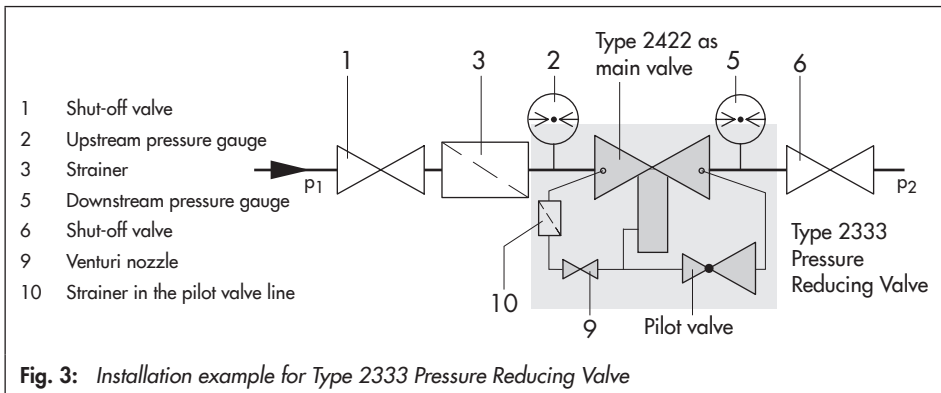
- The direction of flow must correspond to the arrow on the body.

## 4.3 Shut-off valve

Install a hand-operated shut-off valve both upstream of the strainer and downstream of the regulator. This allows the plant to be shut down for cleaning and maintenance, and when the plant is not used for longer periods of time.

## 4.4 Pressure gauges

Install a pressure gauge both upstream and downstream of the regulator to monitor the pressures prevailing in the plant.



## 5 Operation

See Fig. 1 and Fig. 2.

### 5.1 Start-up

First start up the regulator after mounting all parts (e.g. valve and control line). Open control line with needle valve and check to ensure it is connected correctly.

**Rinsing the plant** · After filling the plant, first completely open the consumer and adjust the regulators to achieve the maximum flow rate. Rinse out the pipeline at full flow rate for several minutes. Check the installed strainer (e.g. by measuring the pressure drop). Clean the strainer, if necessary.

- **Slowly** fill the plant. Make sure that the pressure rises simultaneously upstream and downstream of the regulator to avoid damaging the balancing bellows/diaphragm.
- Open all the valves on the consumer side. Slowly open the shut-off valves starting on the flow pipe side in small steps waiting a few minutes inbetween.

### 5.2 Steam applications

Observe the following points for applications with steam:

- Before start-up, all pipes conveying the process medium must be completely drained and dry (to prevent steam hammering).
- Before start-up, fill the condensation chamber (10) with water (also at the pilot valve, if necessary).

- **Slowly** start up the plant and allow time for the pipes and valves to warm up.
- Air and condensate must be allowed to escape from the plant. Install steam trap (e.g. SAMSON Type 13 E) or air vent for steam-operated systems (e.g. SAMSON Type 3) at a suitable location.

### 5.3 Set point adjustment

See Fig. 1 and Fig. 2.

Adjust the required downstream pressure set point while the plant (consumer) is open by turning the set point adjuster at the pilot valve (5).

When the adjusted downstream pressure set point is reached, the pilot valve closes, causing the main valve to close as well.

Turn clockwise (↻):

- The set point pressure increases.

Turn counterclockwise (↺):

- The set point pressure is reduced.

The pressure gauge located on the downstream pressure side allows the adjusted set point to be monitored.

First set the minimum set point by turning the set point adjuster counterclockwise (↺).

Wait until the pressure reducing valve starts to regulate before adjusting the set point by slowly turning the adjuster clockwise (↻).

---

### ! NOTICE

*Incorrectly adjusted set point or set point cannot be adjusted.*

*Malfunction!*

*Start by turning the set point adjuster by one turn at a time and wait until the downstream pressure reaches the set point. As soon as the pressure reducing valve starts to work, you can adjust the set point by making larger changes. Wait several minutes until the pressure conditions have stabilized and check the set point. Correct the set point, if necessary.*

---

After start-up and set point adjustment, avoid fast changes in pressure.

## 5.4 Decommissioning

Depressurize the plant. Close the shut-off valves starting from the flow side (high-pressure line).

## 6 Maintenance

The regulator does not require any maintenance. Nevertheless, it is subject to natural wear, particularly at the seat, plug and operating diaphragm.

Depending on the operating conditions, check the regulator at regular intervals to avoid possible malfunctions.



### **WARNING!**

*Performing work on pressurized or hot plant sections:*

*Hot process medium can escape uncontrolled on dismantling the regulator. Risk of scalding!*

*Allow the regulator to cool down before depressurizing and draining it to remove it from the pipeline.*

Details on faults and how to remedy them can be found in Table 2.

The listed examples of malfunctions are caused by mechanical faults in the main valve or pilot valve as well as incorrect regulator sizing.

In the simplest case, the functioning can be restored following the recommended action. To repair the pilot valve, read the operating instructions for the corresponding regulator (pilot valve). As in many cases, special tools are required, we advise you to contact SAMSON after-sales service to find out how to proceed to repair the regulator or replace a component (see section 10).

Exceptional operating and installation conditions can lead to changed situations that may

affect the control response and lead to malfunctions. In such cases, check the installation conditions, process medium, temperature and pressure conditions. A thorough analysis may often require the on-site assistance of SAMSON after-sales service.

The table is not intended to be exhaustive as there are diverse reasons for malfunctions.

**Table 2: Troubleshooting**

Malfunction	Possible reasons	Recommended action	Comments
Malfunction only occurs when the consumer is closed or during low load:			
Downstream pressure is much higher than the adjusted set point	Pilot valve · Leakage between seat and plug	Remove valve from the pipeline and clean seat and plug. Renew plug, if necessary. Otherwise, return regulator to SAMSON for repair.	Install a shut-off valve instead of the pilot valve. If the main valve closes when the shut-off valve is closed, the pilot valve has caused the malfunction.
	Main valve · Leakage between seat and plug	Remove valve from the pipeline and clean seat and plug. Renew plug, if necessary. Otherwise, return regulator to SAMSON for repair.	
Malfunction occurs when the consumer is open or at maximum load:			
Downstream pressure is much higher than the adjusted set point	The pilot valve does not function. Balancing bellows/diaphragm defective. Medium leaks from the actuator.	Replace the defective component.	Install a shut-off valve instead of the pilot valve. If the main valve closes when the shut-off valve is closed, the pilot valve has caused the malfunction.
	Pilot valve seized up	Clean the pilot valve. Apply grease to plug stem guides, if necessary. Replace defective parts.	
	Main valve seized up	Clean main valve.	Install a shut-off valve instead of the pilot valve. If the main valve does <b>not</b> close when the shut-off valve is closed, the main valve has caused the malfunction.
	Balancing bellows/diaphragm of the main valve defective	Replace bellows/diaphragm.	Install a shut-off valve instead of the pilot valve. If the main valve does <b>not</b> close when the shut-off valve is closed, the main valve has caused the malfunction. Particularly in steam applications, steam hammering can damage the bellows. Therefore, make sure that no water or condensate is present in the pipeline before start-up.
	In steam applications: plant started up too quickly.	Fill condensation chambers with water. <b>Slowly</b> start up the plant.	

## Troubleshooting (continued)

Malfunction	Possible reasons	Recommended action	Comments
The required downstream pressure is not reached	Strainer in the line in which the pilot valve is installed is clogged up	Clean strainer.	
	The required minimum differential pressure to operate the regulator is not available	Raise upstream pressure or reduce downstream pressure	
	Set point range of the pilot valve is too low	Convert or replace pilot valve.	
	Main valve seized up	Clean main valve.	Install a shut-off valve instead of the pilot valve. If the main valve does <b>not</b> open when the shut-off valve is opened, the main valve has caused the malfunction.
	Pilot valve seized up	Clean pilot valve. Clean internal control line used to tap the downstream pressure.	Install a shut-off valve instead of the pilot valve. If the main valve does <b>not</b> open when the shut-off valve is opened, the main valve has caused the malfunction.
	Needle valve installed between fixed restriction and main valve is jammed or closed.	Clean the needle valve. Check setting (open).	
	Main valve is sized to be too small ( $K_{VS}/C_V$ )	Resize the valve. Replace main valve.	
Regulator's reaction is sluggish	Strainer in the line in which the pilot valve is installed is clogged up.	Clean strainer.	
	Inside the pilot valve is clogged up, impairing the flow through the valve	Clean inside the pilot valve.	
	Needle valve installed between fixed restriction and main valve is jammed.	Clean the needle valve. Check setting (open).	
	The fixed restriction is clogged up.	Clean fixed restriction.	
	Control line or Venturi nozzle blocked	Clean parts.	Improve steam conditioning, if necessary.

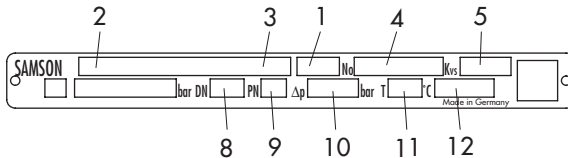
### Troubleshooting (continued)

Malfunction	Possible reasons	Recommended action	Comments
Control loop hunts	$K_{VS}/C_V$ of pilot valve too large (after valve has been replaced).	Install pilot valve with suitable $K_{VS}/C_V$ coefficient.	
	The flow conditions in the plant at the location where the regulator is installed are not suitable for the regulator.	Pipe reducers, instruments and diversions can change the flow conditions which may lead to an instable control process especially in applications with gases, air or steam. Refer to the SAMSON document TV-SK 17041 for minimum distances.	If this is the case, send a sketch of the plant to SAMSON for a thorough analysis.
	$K_{VS}/C_V$ of main valve too large	Resize the valve. Replace main valve or convert it to another $K_{VS}/C_V$ coefficient.	
	Occasional vibrational excitation originating from the plant	Contact SAMSON.	Possibly change the natural frequency, e.g. over the needle valve (9) when there is resonance in the plant.

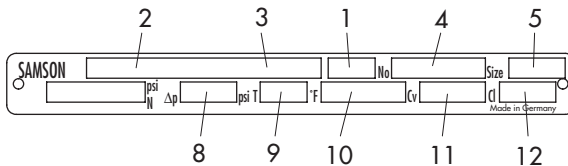


## 7 Nameplate

### Nameplate of main valve



### DIN version



### ANSI version

#### Valve

- 1 Valve type
- 2 Model number
- 3 Model number index
- 4 Order number or date
- 5  $K_{VS}$  coefficient
- 8 Nominal size
- 9 Nominal pressure
- 10 Perm. differential pressure in bar
- 11 Perm. temperature in °C
- 12 Body material

#### For ANSI version

- 5 Valve size
- 8 Perm. differential pressure in psi
- 9 Perm. temperature in °F
- 10 Body material
- 11  $C_V$  coefficient ( $K_{VS} \times 1.17$ )
- 12 ANSI Class (pressure rating)

Fig. 4: Nameplate of Type 2333 Pressure Reducing Valve

## 8 Technical data

**Table 3: Technical data** · All pressures in bar (gauge)

 Type 2422 Valve · **Balanced by a bellows** · Suitable for liquids, gases or vapors

Nominal size	DN 125	DN 150	DN 200	DN 250
Nominal pressure	PN 16 to 40			
$K_{VS}$ coefficient	200	360	520 <sup>1)</sup>	620 <sup>1)</sup>
$K_{VS}$ I (with flow divider St I)	150	270	400 <sup>1)</sup>	500 <sup>1)</sup>
$K_{VS}$ III (with flow divider St III)	100	180	260 <sup>1)</sup>	310 <sup>1)</sup>
$x_{FZ}$ value	0.35	0.3	0.3	0.3
Minimum differential pressure $\Delta p_{min}$				
For vapors	1.9 bar	2.0 bar	1.4 bar <sup>1)</sup>	1.4 bar <sup>1)</sup>
For gases and liquids	1.0 bar	1.0 bar	0.7 bar <sup>1)</sup>	0.7 bar <sup>1)</sup>
Max. permissible differential pressure $\Delta p_{max}$	16 bar	12 bar	10 bar <sup>1)</sup>	10 bar <sup>1)</sup>
Leakage class according to IEC 60534-4	$\leq 0.05$ % of $K_{VS}$ coefficient <sup>2)</sup>			
Max. permissible temperature (depending on the pilot valve)	<b>Type 50 ES:</b> 50 °C · <b>Type 44-2:</b> 150 °C · <b>Type 44-0 B:</b> 200 °C <b>Type 44-1 B:</b> 150 °C · <b>Type 41-23:</b> 150 °C <sup>3)</sup> · <b>Type 2405:</b> 150 °C			
Set point ranges in bar, continuously adjustable at the pilot valve	<b>Type 50 ES:</b> 2.5 to 6, 4 to 10 · <b>Type 44-2:</b> 2 to 4.2, 2.4 to 6.3, 6 to 10.5 · <b>Type 44-0 B/44-1 B:</b> 2 to 6, 4 to 10, 8 to 20 <b>Type 2405:</b> 2 to 5, 4.5 to 10 <b>Type 41-23:</b> 2 to 5, 4.5 to 10, 8 to 16, 10 to 22, 20 to 28			

<sup>1)</sup> Version with reduced  $K_{VS}$  coefficient possible. Same technical data as DN 150

<sup>2)</sup>  $\leq 0.1$  % of  $K_{VS}$  coefficient with metal-seated plug

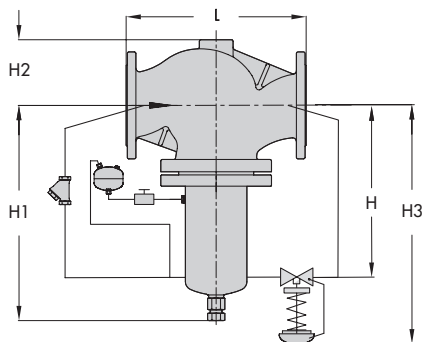
<sup>3)</sup> Version for steam up to 350 °C

Type 2422 Valve · **Balanced by a diaphragm** · Suitable for liquids and gases

Nominal size	DN 125	DN 150	DN 200	DN 250	DN 300	DN 400
Nominal pressure	PN 16 to 40					
$K_{VS}$ coefficient	250	380	650 <sup>1)</sup>	800 <sup>1)</sup>	1250	2000
$x_{FZ}$ value	0.35	0.35	0.3 <sup>1)</sup>	0.3 <sup>1)</sup>	0.2	0.2
Minimum differential pressure $\Delta p_{min}$	0.8 bar	0.8 bar	0.4 bar <sup>1)</sup>	0.4 bar <sup>1)</sup>	0.5 bar <sup>1)</sup>	0.3 bar
Max. permissible differential pressure $\Delta p_{max}$	12 bar	12 bar	10 bar <sup>1)</sup>	10 bar <sup>1)</sup>	10 bar <sup>1)</sup>	6 bar
Leakage class according to IEC 60534-4	$\leq 0.01$ % of $K_{VS}$ coefficient					
Max. permissible temperature (depending on the pilot valve)	<b>Type 50 ES:</b> 50 °C · <b>Type 44-2:</b> 150 °C · <b>Type 44-0 B/44-1 B:</b> 150 °C <b>Type 2406:</b> 150 °C · <b>Type 41-23:</b> 150 °C · Steam pressure reducing valve as special version on request					
Set point ranges in bar, continuously adjustable at the pilot valve	<b>Type 50 ES:</b> 2.5 to 6, 4 to 10 · <b>Type 44-2:</b> 2 to 4.2, 2.4 to 6.3, 6 to 10.5 · <b>Type 44-0 B/44-1 B:</b> 2 to 6, 4 to 10, 8 to 20 bar <b>Type 2405:</b> 2 to 5, 4.5 to 10 · <b>Type 41-23:</b> 2 to 5, 4.5 to 10, 8 to 16, 10 to 22, 20 to 28					

<sup>1)</sup> Version with reduced  $K_{VS}$  coefficient possible. Same technical data as DN 150

## 9 Dimensions



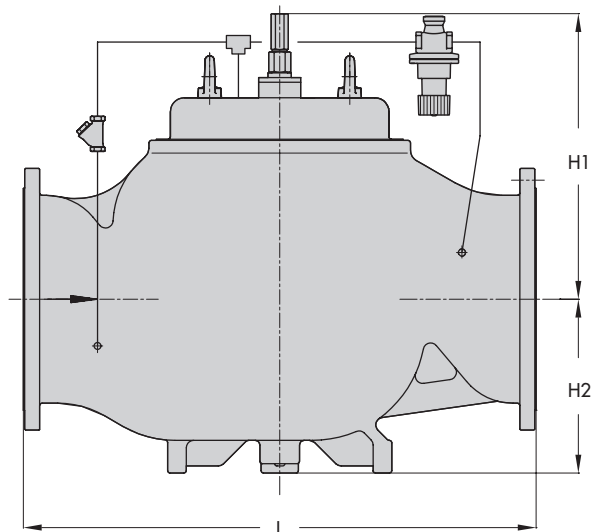
**Type 2422 Valve · DN 125 to 250 · Balanced by a bellows**

Nominal size	DN 125	DN 150	DN 200	DN 250
Length L	400 mm	480 mm	600 mm	730 mm
Height H	285 mm	315 mm	390 mm	390 mm
Height H1	460 mm	590 mm	730 mm	730 mm
Height H2	145 mm	175 mm	235 mm	260 mm
Max. height H3 <sup>2)</sup>	≤ 725 mm	≤ 825 mm	≤ 890 mm	≤ 890 mm
Weight <sup>1)</sup> (PN 16 with Type 50 ES Pilot Valve)	75 kg	118 kg	260 kg	305 kg

<sup>1)</sup> +10 % for cast iron 1.0619/PN 25 and spheroidal graphite iron EN-JS1049/PN 25

<sup>2)</sup> Depending on the pilot valve used

**Fig. 5:** Dimensions and weights · Type 2422 Valve **balanced by a bellows**



**Type 2422 Valve · DN 125 to 400 · Balanced by a diaphragm**

Nominal size	DN 125	DN 150	DN 200	DN 250	DN 300	DN 400
Length L	400 mm	480 mm	600 mm	730 mm	850 mm	110 mm
Height H1	285 mm	310 mm	380 mm	380 mm	510 mm	610 mm
Height H2	145 mm	175 mm	260 mm	260 mm	290 mm	390 mm
Weight <sup>1)</sup> (PN 16 with Type 50 ES Pilot Valve)	50 kg	70 kg	210 kg	305 kg	315 kg	625 kg

<sup>1)</sup> +10 % for cast iron 1.0619/PN 25 and spheroidal graphite iron EN-JS1049/PN 25

**Fig. 6:** Dimensions and weights · Type 2422 Valve *balanced by a diaphragm*

## 10 Customer service

If malfunctions or defects occur, contact the SAMSON After-sales Service Department for support.

The addresses of SAMSON AG, its subsidiaries, representatives and service facilities worldwide can be found on the SAMSON website, in all SAMSON product catalogs or on the back of these Mounting and Operating Instructions.

Please send your inquiries to: [service@samson.de](mailto:service@samson.de)

To assist diagnosis, specify the following details (see section 7):

- Type and nominal size of the valve
- Order and model number
- Order number or date
- Upstream and downstream pressure
- Temperature and process medium
- Min. and max. flow rate in m<sup>3</sup>/h
- Is a strainer installed?
- Installation drawing showing the exact location of the regulator and all the additionally installed components (shut-off valves, pressure gauge, etc.)
- Photo of the installed regulator, if possible





SAMSON AG · MESS- UND REGELTECHNIK  
Weismüllerstraße 3 · 60314 Frankfurt am Main, Germany  
Phone: +49 69 4009-0 · Fax: +49 69 4009-1507  
samson@samson.de · www.samson.de

**EB 2552-1 EN**

2014-11-25 · English



# Conversion from chromate coating to iridescent passivation



---

## ***Conversion from chromate coating to iridescent passivation***

*We at SAMSON are converting the surface treatment of passivated steel parts in our production. As a result, you may receive a device assembled from parts that have been subjected to different surface treatment methods. This means that the surfaces of some parts show different reflections. Parts can have an iridescent yellow or silver color. This has no effect on corrosion protection.*

*For further information, go to ► [www.samson.de/chrome-en.html](http://www.samson.de/chrome-en.html)*

---