

Series V2001
Type 3323 Three-way Valve



**Mounting and
Operating Instructions**

EB 8113/8114 EN

Edition August 2013

Definition of signal words



DANGER!

Hazardous situations which, if not avoided, will result in death or serious injury



WARNING!

Hazardous situations which, if not avoided, could result in death or serious injury



NOTICE

Property damage message or malfunction



Note:

Additional information



Tip:

Recommended action

1	General safety instructions	5
2	Design and principle of operation	6
3	Installation	8
3.1	Assembling valve and actuator	8
3.2	Mounting position	10
3.3	Strainer, bypass	10
3.4	Arrangement of the valve	10
4	Operation	10
5	Maintenance – Replacing parts	12
5.1	Removing the actuator	12
5.2	Replacing the packing	14
5.2.1	Standard valve bonnet	14
5.2.2	Insulating section	16
5.3	Replacing the seat and/or plug	17
5.3.1	Valves in DN 15 and 25.....	17
5.3.2	Valves in DN 32 to 100.....	18
5.4	SAMSON seat wrench and tightening torques	22
6	Description of the nameplate	23
7	Dimensions	23
8	Customer inquiries	23

1 General safety instructions



- The control valve must be mounted, started up or serviced by fully trained and qualified personnel only; the accepted industry codes and practices are to be observed. Make sure employees or third persons are not exposed to any danger.
All safety instructions and warnings given in these mounting and operating instructions, particularly those concerning installation, start-up and maintenance, must be strictly observed.
- The control valves comply with the requirements of the European Pressure Equipment Directive 97/23/EC. Valves with a CE marking have a declaration of conformity which includes information about the applied conformity assessment procedure. The declaration of conformity is available on request.
- To ensure appropriate use, only use the control valve in applications where the operating pressure and temperatures do not exceed the specifications used for sizing the valve at the ordering stage. The manufacturer does not assume any responsibility for damage caused by external forces or any other external factors.
Any hazards that could be caused in the valve by the process medium, the operating pressure, the signal pressure or by moving parts are to be prevented by taking appropriate precautions.
- Proper shipping and storage are assumed.

WARNING!

- For installation and maintenance, make sure the relevant section of the pipeline is depressurized and, depending on the process medium, drained as well. Depending on the field of application, allow the valve to cool down or heat up to reach ambient temperature before starting any work on it.
- When working on the valve, make sure that the pneumatic air supply or power supply as well as the control signal are disconnected to prevent any hazards due to moving parts.
- Be particularly careful if the actuator springs of pneumatic control valves are preloaded. Such actuators are labeled correspondingly and can also be identified by three long bolts protruding from the bottom of the actuator. Before starting any work on the valve, relieve the compression from the preloaded springs.

2 Design and principle of operation

Fig. 1

The Type 3323 Three-way Valve has a modular design and can be combined with pneumatic or electric actuators (as described in the next section).

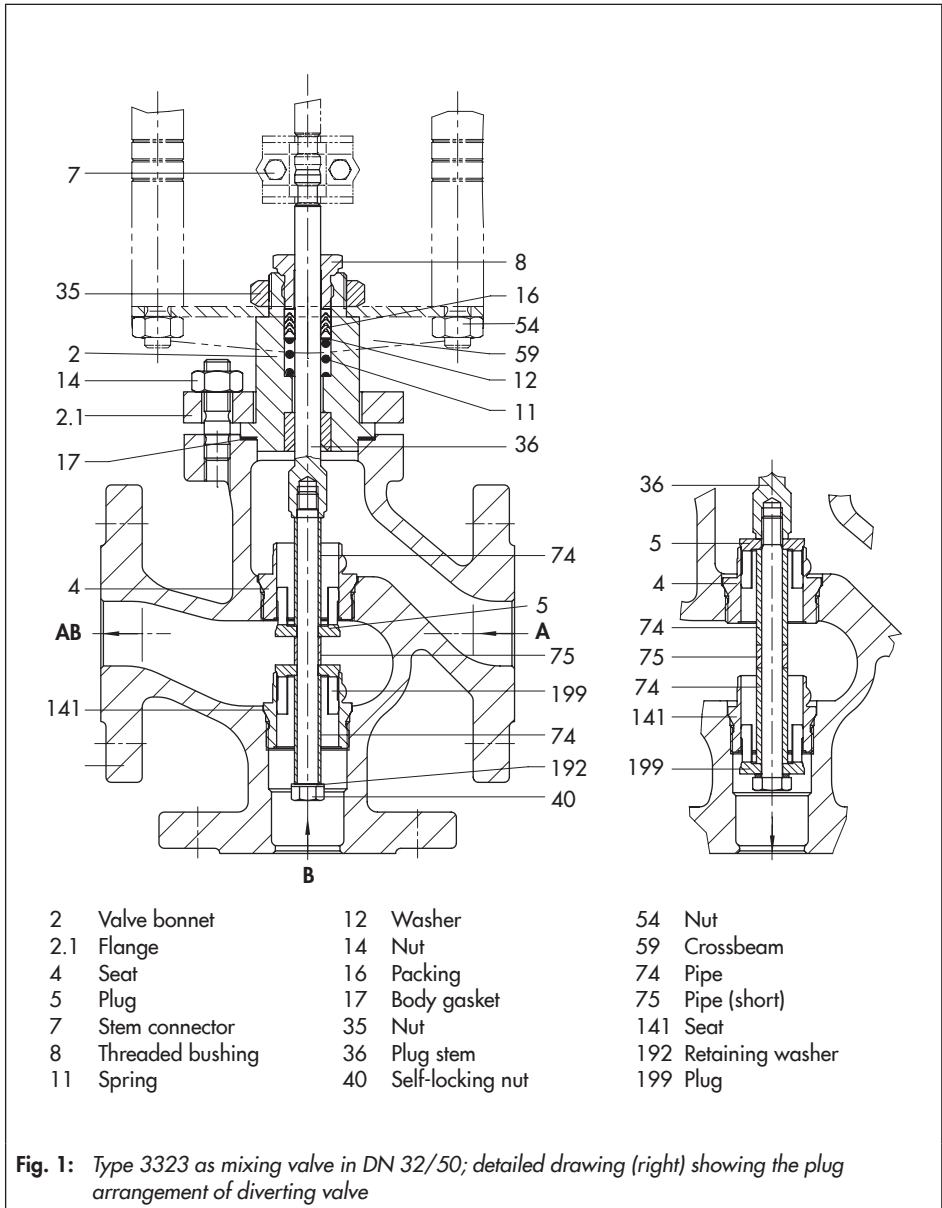
Depending on the plug arrangement, the three-way valve can be used for either mixing or diverting service.

In mixing valves, the process media to be mixed enter at valve ports **A** and **B**. The combined flow exits the valve at port **AB**.

In diverting valves, in contrast, the process medium enters at the valve port **AB** and the partial flows exit at ports **A** and **B**.

The flow rate from ports A or B to AB and vice versa depends on the cross-sectional area of flow between the seats and plugs.

The plug (5, 199) is moved by changing the control signal applied to the actuator. The plug stem (36) is sealed by a spring-loaded PTFE V-ring packing (16) and is connected to the actuator stem by the stem connector.



3 Installation

3.1 Assembling valve and actuator

The valve and actuator are delivered separately and must be assembled on site.

There are different ways to assemble the valve and actuator depending on the actuator model and the nominal size.

The following tables show the actuators that can be used and the associated instructions.

Types 3371, 3372, 5824 and 3374 Actuators on Type 3323 Valve up to DN 50 (NPS 2), Fig. 3

Form B attachment (mounting using a central nut) is performed according to the associated Mounting and Operating Instructions.

Actuator	For control valve	Associated instructions
Type 3371	Type 3323-PP	▶ EB 8317 EN
Type 3372	Type 3323-IP	▶ EB 8313-1 EN ▶ EB 8313-3 EN ¹⁾
Type 5824	Type 3323-E1	▶ EB 5824-1 EN ▶ EB 5824-2 EN ²⁾
Type 3374	Type 3323-E3	▶ EB 8331-3 EN ▶ EB 8331-4 EN ²⁾

¹⁾ Version with Type 3725 Positioner

²⁾ Version with integrated positioner

Types 3371 and 3372 Actuators on Type 3323 Valve in DN 65 (NPS 2½) and larger, Fig. 3

Form C attachment (mounting using rods) is performed according to the associated Mounting and Operating Instructions.

Actuator	For control valve	Associated instructions
Type 3371	Type 3323-PP	▶ EB 8317 EN
Type 3372	Type 3323-IP	▶ EB 8313-1 EN ▶ EB 8313-3 EN ¹⁾

¹⁾ Version with Type 3725 Positioner

Type 3374 Actuator on Type 3323 Valve in DN 65 (NPS 2½) and larger, Fig. 2

1. Place the actuator yoke on the valve bonnet and fasten using two M8 hexagon socket screws.
2. Extend the actuator stem using the manual override until the actuator stem touches the plug stem.
3. Position the clamps of the stem connector and fasten with screws.

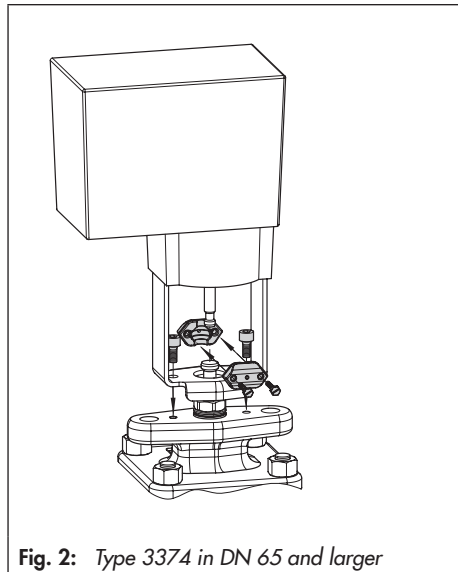
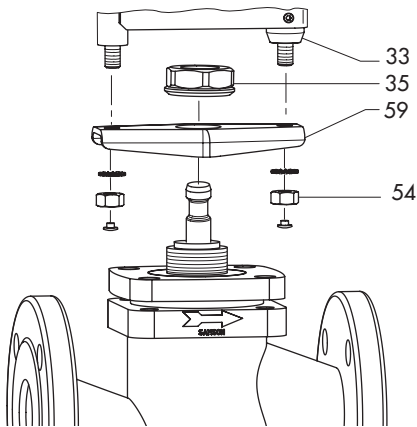
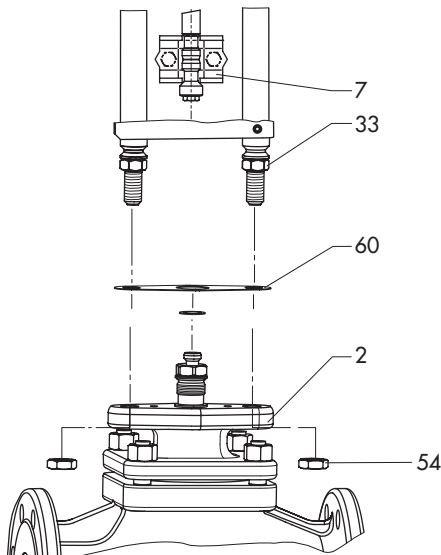


Fig. 2: Type 3374 in DN 65 and larger

Form B attachment (mounting using a central nut)



Form C attachment (mounting using rods)



- 2 Valve bonnet
- 7 Stem connector
- 33 Rods
- 35 Nut
- 54 Nut
- 59 Crossbeam
- 60 Plate

Fig. 3: *Form B attachment (mounting using a central nut) and Form C attachment (mounting using rods)*

3.2 Mounting position

The valve can be mounted in any desired position. However, the restrictions for the actuator used must be strictly observed.



NOTICE

Install the valve free of stress and with the least amount of vibrations as possible.

If necessary, support the pipelines near the connections.

Since sealing parts, weld spatter and other impurities carried along by the medium may impair the tight shut-off of the seat and plug, flush out the pipeline thoroughly before installing the valve in the pipeline.

Pipeline routing

To ensure that the control valve functions properly, the pipeline must be straight and without any manifolds or disturbances for a distance of at least 6 times the valve size (DN) upstream and downstream of the valve. Contact SAMSON if this distance cannot be observed.

3.3 Strainer, bypass

We recommend to install a SAMSON Type 2 Strainer upstream of the valve, and upstream of both inlet ports in mixing valves.

We recommend installing a shut-off valve both upstream of the strainer and downstream of the valve to ensure that the plant does not need to be shut down for maintenance. In addition, install a bypass line.

3.4 Arrangement of the valve

Install the valve as shown in Fig. 4 depending on whether it is to be used for mixing or diverting service.

Fail-safe action: the valve shuts off the flow of the heating medium or opens the flow of the cooling medium.

The plug arrangement (i.e. either mixing or diverting valve) is indicated on a label attached to the valve body.

4 Operation

The operating instructions only apply in conjunction with the actuator. Refer to the corresponding Mounting and Operating Instructions.

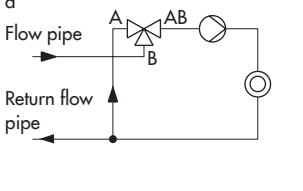
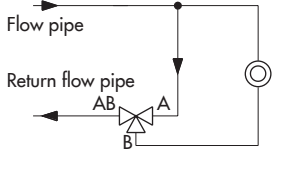
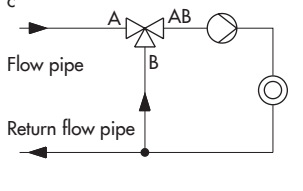
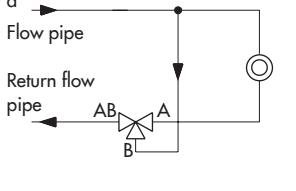
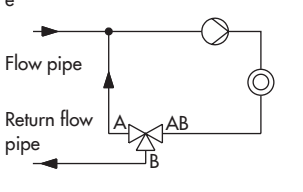
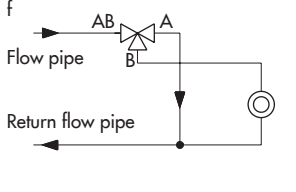
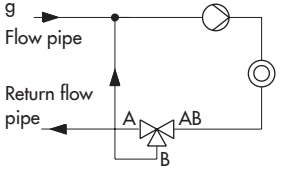
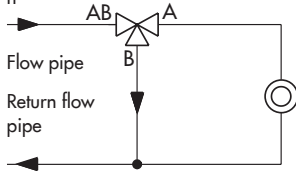
Mixing service - Temperature control $Q = \text{constant}$	Diverting service - Flow control $Q = 0 \text{ to } 100\%$	Actuator stem extends (FA) Actuator stem retracts (FE)
<p>a</p>  <p>Flow pipe</p> <p>Return flow pipe</p>	<p>b</p>  <p>Flow pipe</p> <p>Return flow pipe</p>	<p>Heating with mixing valve FA Cooling with mixing valve FE</p> <p>a) Installation in flow pipe b) Installation in return flow pipe</p>
<p>c</p>  <p>Flow pipe</p> <p>Return flow pipe</p>	<p>d</p>  <p>Flow pipe</p> <p>Return flow pipe</p>	<p>Heating with mixing valve FA Cooling with mixing valve FE</p> <p>c) Installation in flow pipe d) Installation in return flow pipe</p>
<p>e</p>  <p>Flow pipe</p> <p>Return flow pipe</p>	<p>f</p>  <p>Flow pipe</p> <p>Return flow pipe</p>	<p>Heating with diverting valve FA Cooling with diverting valve FE</p> <p>e) Installation in return flow pipe f) Installation in flow pipe</p>
<p>g</p>  <p>Flow pipe</p> <p>Return flow pipe</p>	<p>h</p>  <p>Flow pipe</p> <p>Return flow pipe</p>	<p>Heating with diverting valve FA Cooling with diverting valve FE</p> <p>g) Installation in return flow pipe h) Installation in flow pipe</p>

Fig. 4: Typical installations

5 Maintenance – Replacing parts

The control valve is subject to normal wear, especially at the seat, plug and packing. Depending on the operating conditions, check the valve at regular intervals to prevent possible failure before it can occur.

External leakage can indicate that the packing is defective.

If the valve does not close tightly, tight shut-off may be impaired by dirt stuck between the seat and plug or by damaged facings.



WARNING!

Before performing any work on the control valve, make sure the relevant plant section has been depressurized and, depending on the process medium, drained as well. When used at high temperatures, allow the plant section to cool down to ambient temperature. Make sure the electrical or pneumatic control signal for the actuator is switched off. Remove the signal pressure line of a pneumatic actuator. As valves are not free of cavities, remember that residual process medium might still be contained in the valve. We recommend removing the valve from the pipeline.

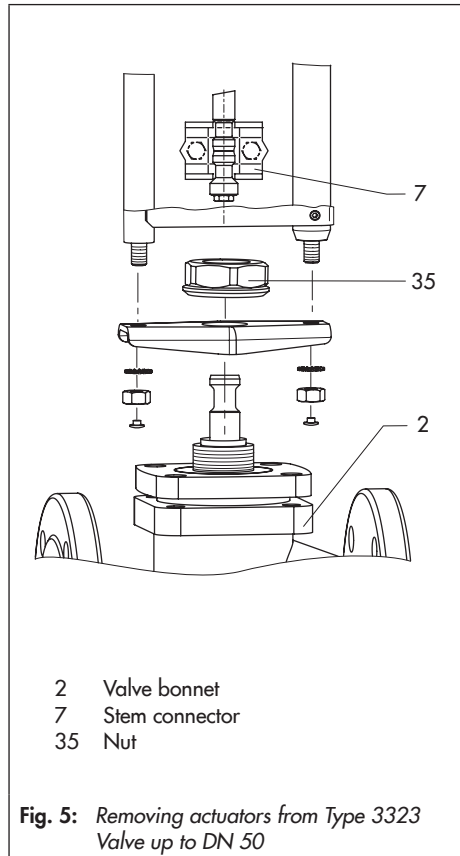
We recommend removing the parts, cleaning them, and, if necessary, replacing them with new ones.

5.1 Removing the actuator

Before performing any repair work on the valve, remove the actuator from the valve.

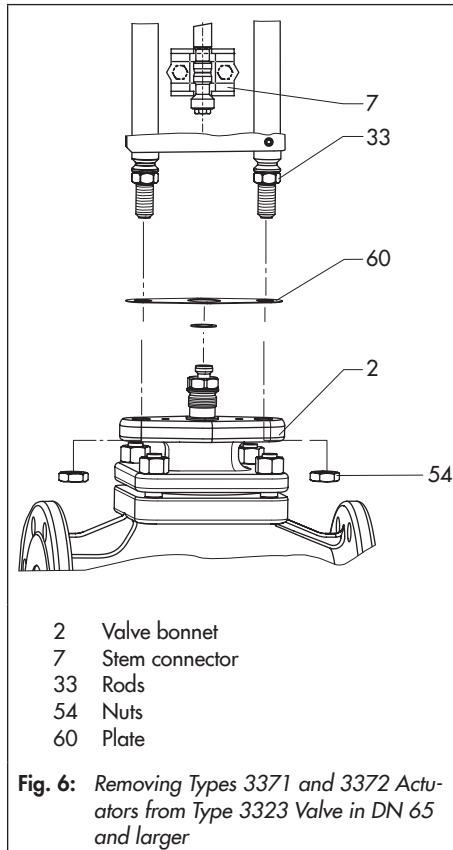
Valve up to DN 50 (NPS 2) – Form B attachment (mounting using a central nut), Fig. 5

- Undo the screws on the stem connector (7) and remove the stem connector.
- Unscrew the nut (35) and lift the actuator off the valve bonnet (2).



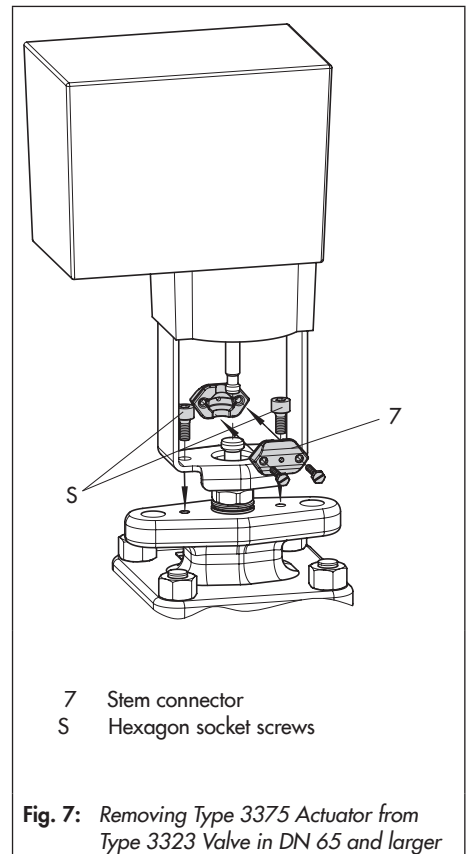
Valve in DN 65 (NPS 2½) and larger – Form C attachment (mounting using rods), Fig. 6

- ➔ Undo the screws on the stem connector (7) and remove the stem connector.
- ➔ Undo nuts (54) while holding the rods (33) stationary with an open-end wrench (SW 22) to prevent them from turning.
- ➔ Lift the actuator including the plate (60) off the valve bonnet (2).



Valve in DN 65 (NPS 2½) and larger – mounting on yoke, Fig. 7

- ➔ Undo the screws on the stem connector (7) and remove the stem connector.
- ➔ Unscrew the two hexagon socket screws (S) and lift actuator together with the yoke off the valve bonnet.



5.2 Replacing the packing



Note:

Contact your nearest SAMSON subsidiary or the SAMSON After-sales Service department for information on suitable lubricants.

5.2.1 Standard valve bonnet

In case of leakage at the packing, the packing (16) must be renewed.

Removing the valve bonnet, Fig. 8

Valve up to DN 50

1. Unscrew the threaded bushing (8).
2. Unscrew nuts (14) and lift off flange (2.1).

Valve in DN 65 and larger

1. Unscrew the threaded bushing (8).
2. Unscrew nuts (14) and lift the valve bonnet (2) off the valve body over the plug stem.
3. Check the body gasket (17) located in the valve body for damage. We recommend renewing the body gasket.

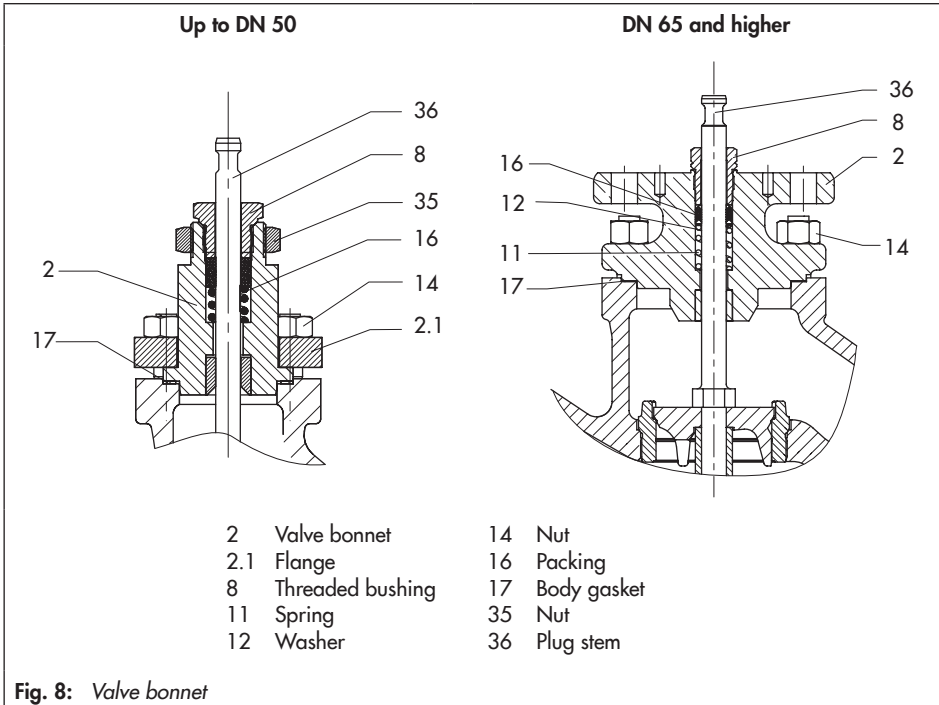


Fig. 8: Valve bonnet

- Use a suitable tool to pull the damaged packing (16) out of the valve bonnet. Remove washer (12) and spring (11) and clean the packing chamber.

Installing the packing, Fig. 9

- Apply a suitable lubricant to each part of the new packing as well as to the plug stem.
- Insert the spring (11) and then the washer (12) into the packing chamber.
- Carefully slide the parts of the new packing (16) into the packing chamber.
- Apply a suitable lubricant to the thread of the threaded bushing (8). Lightly screw in the threaded bushing, but do not tighten it yet.

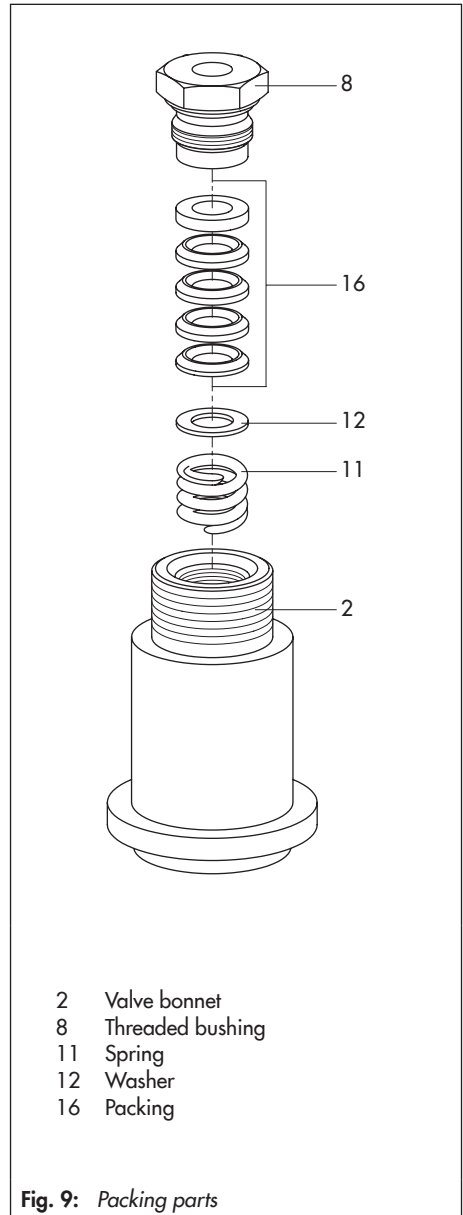
Mounting the valve bonnet

Valve up to DN 50

- Place the valve bonnet (2), while turning it, over the plug stem (36) onto the valve body. Make sure that the body gasket (17) is seated properly.
- Place the flange (2.1) on the bonnet and fasten it with the nuts (14) (observe tightening torque listed in Table 1). Tighten the threaded bushing.

Valve in DN 65 and larger

- Place the valve bonnet (2), while turning it, over the plug stem (36) onto the valve body. Make sure that the body gasket (17) is seated properly.
- Fasten the bonnet with the nuts (14) (observe tightening torque listed in Table 1). Tighten the threaded bushing.

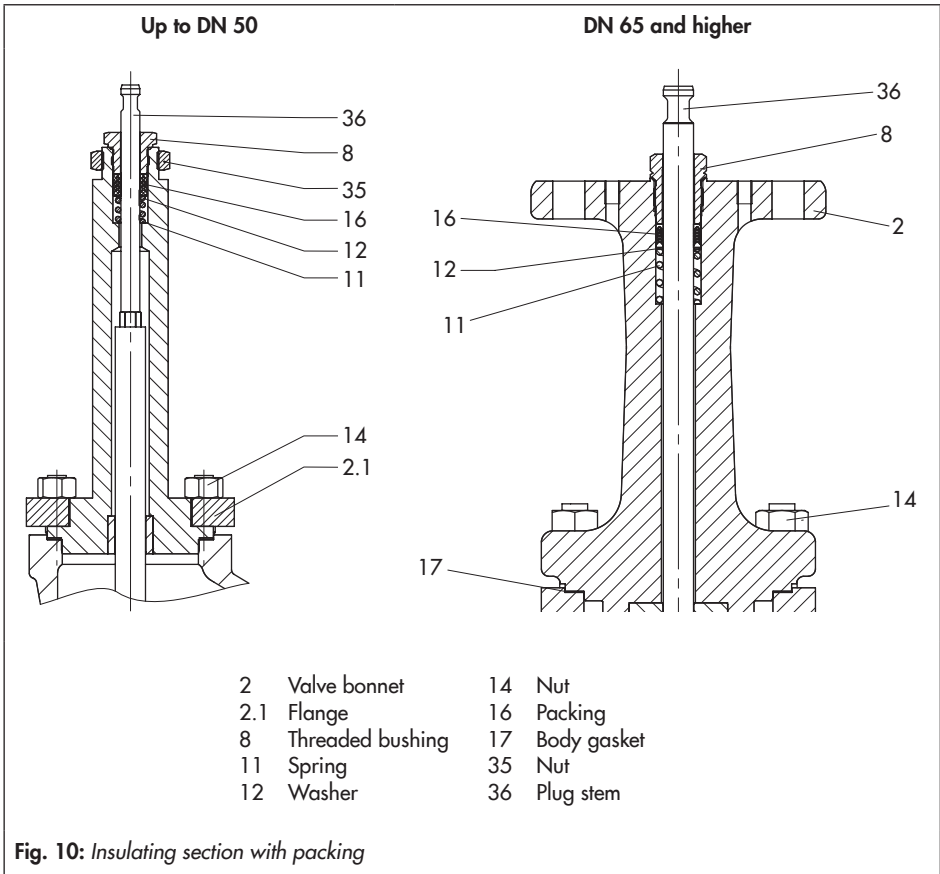


5.2.2 Insulating section

Fig. 10

The insulating section is used to extend the distance between the packing and the valve as well as the process medium. This results in a wider temperature range.

The arrangement of the packing in the insulating section is the same as in the standard bonnet. Proceed as described in section 5.2.1 to replace the packing.



5.3 Replacing the seat and/or plug

Valves in DN 15 and 25 can be used both as mixing or diverting valves. The direction of flow is the only factor in this case that determines the application. Therefore, it is not necessary to rearrange the valve. The valve construction only has one plug.

Valves in DN 32 and larger have two plugs. Their arrangement differs depending on whether the valve is to be used as mixing or diverting valve.

When checking or replacing the seat or plug, we also recommend replacing the packing (16) and the body gasket (17).

When disassembling the valve, it is important to lay out the parts in the exact order they were disassembled in to facilitate assembly later.

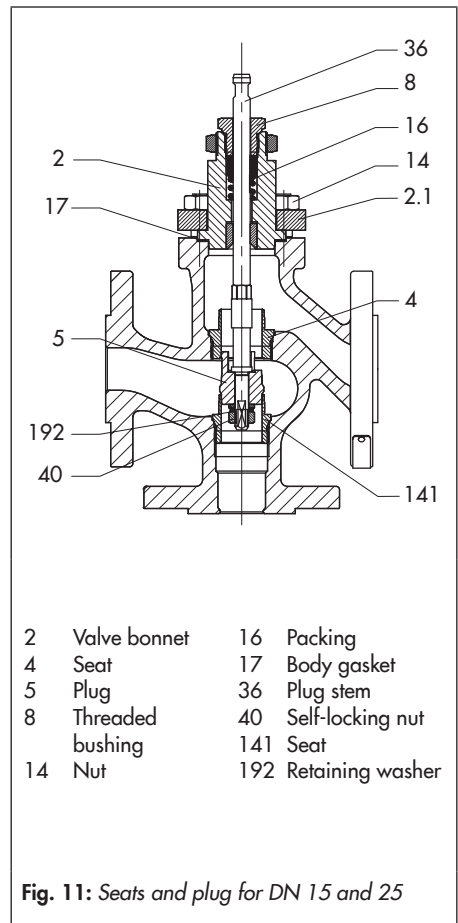
Refer to Table 1 for the required tightening torques for seats (4, 141) and nuts (14, 40) on the body and plug stem.

5.3.1 Valves in DN 15 and 25

Disassembly, Fig. 11

1. Unscrew threaded bushing (8), remove nuts (14) and lift off flange (2.1).
2. Lift the valve bonnet (2) off the valve body over the plug stem.
3. Check the body gasket (17) located in the valve body for damage. We recommend renewing the body gasket.
4. Hold the plug stem (36) stationary from above at the hexagonal part with a suitable tool and undo the nut (40) from below.

5. Remove the retaining washer (192) from below.
6. Carefully pull the plug stem out of the body from above.
7. Unscrew the top seat (4) using a seat wrench.



8. Once the plug (5) has been removed, the bottom seat (141) can also be removed using the seat wrench.
9. Carefully clean all the parts and renew them, if necessary.

Assembly

Proceed in the reverse order to assemble the parts:

1. Mount bottom seat (141).
2. Insert the plug (5) with the three skirt projections facing upwards.
3. Mount top seat (4).
4. Guide the plug stem (36) from above through the plug (5).
5. Place the retaining washer (192) on the plug stem and mount the nut (40).
6. Apply a suitable lubricant to the plug stem in the area where the packing is located.
7. Carefully place the valve bonnet (2) over the plug stem (36) onto the valve body.
8. Place on flange and fasten with nuts (14).
9. Apply a suitable lubricant to the thread of the threaded bushing (8). Mount bushing.

5.3.2 Valves in DN 32 to 100

Disassembly, Fig. 8 and Fig. 12

Valve bonnet (DN 32 and 50)

1. Unscrew the threaded bushing (8).
2. Remove nuts (14) and lift off flange (2.1).

Valve bonnet (DN 65 and larger)

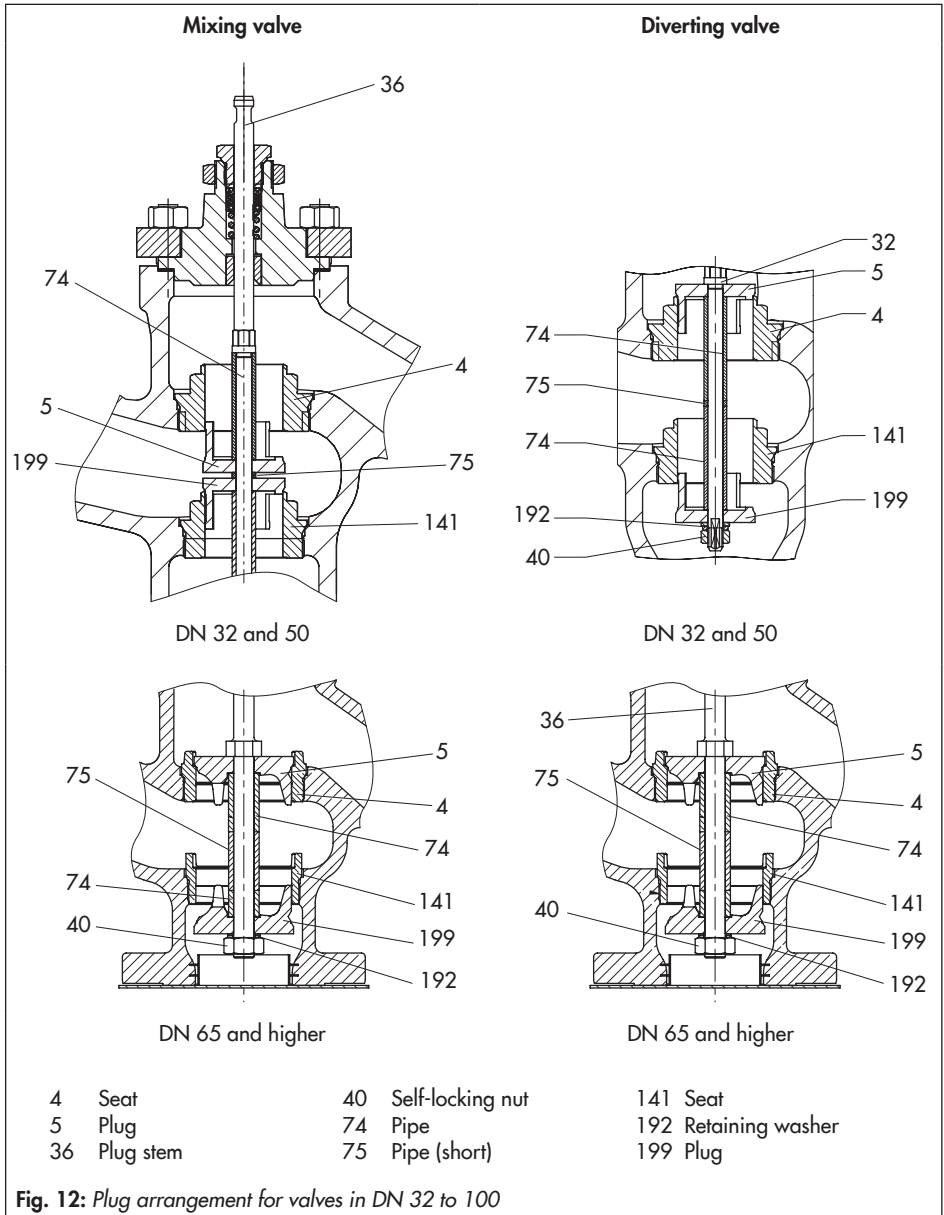
1. Unscrew the threaded bushing (8).
2. Remove nuts (14) and lift the valve bonnet (2) off the valve body over the plug stem. Check the body gasket (17) located in the valve body for damage. We recommend renewing the body gasket.

Mixing valve

3. Hold the plug stem (36) stationary from above at the hexagonal part with a suitable tool and undo the nut (40) from below.
4. Remove the retaining washer (192) and pipe (74) from below.
5. Carefully pull the plug stem (36) out of the body from above, while removing the short pipe (75) sideways.
6. Unscrew the top seat (4) using seat wrench (see Table 1).
7. Remove the top plug (5) and bottom plug (199) from the valve body.
8. Unscrew the bottom seat (141) using seat wrench.
9. Carefully clean all the parts and renew them, if necessary.

Diverting valve

3. Hold the plug stem (36) stationary from above at the hexagonal part with a suitable tool and undo the nut (40) from below.



4. Remove the retaining washer (192) and pipe (74) from below. Carefully pull the plug stem out of the body from above. The pipes (74, 75) for fixing the plug in place will now fall off the plug stem.
 5. Remove the top plug (5) from the valve body.
 6. Unscrew the top seat (4) and then the bottom seat (141) using a suitable seat wrench (see Table 1).
 7. Remove the bottom plug (199) from the valve body.
 8. Carefully clean all the parts and renew them, if necessary.
5. Slide the bottom pipe (74) and retaining washer (192) from below onto the plug stem and tighten the nut (40), while holding the plug stem stationary. Observe the tightening torque in Table 1.

Diverting valve

1. Place the bottom plug (199) in the valve body as shown and mount the bottom seat (141) using a seat wrench, observing the tightening torques in Table 1.
2. Capture the bottom plug (199) and pieces of pipe (74, 75) using the rod as a tool.
3. Mount the top seat (4) using the seat wrench and applying the tightening torque in Table 1.
4. Place the top plug (5) in the top seat (4).
5. Guide the plug stem (36) from above through the plug (5), spacer pipes (74, 75) and bottom plug (199).
6. Place the retaining washer (192) from below on the plug stem and mount the nut (40), while holding the plug stem stationary. Observe tightening torque in Table 1.

Mounting the seat/plug

Apply a suitable lubricant to the thread and the sealing cone of the new or remachined seats as well as to the nuts (40) and the threaded end of the plug stem.

On mounting the spacer pipes and plug, use a rod or long screw to hold them in position.

Mixing valve

1. Screw in the bottom seat (141) using seat wrench. Observe the tightening torque in Table 1.
2. Insert the bottom plug (199) into the seat (141) and hold the pipe (74) and the top plug (5) from below using a rod.
3. Mount top seat (4) with the seat tool.
4. Slide the pipe (74) on the plug stem and push the plug stem from above through the top plug (5), pipe (75) and bottom plug (199), while removing the rod (used as a tool) from below out of the valve.

Mounting the valve bonnet

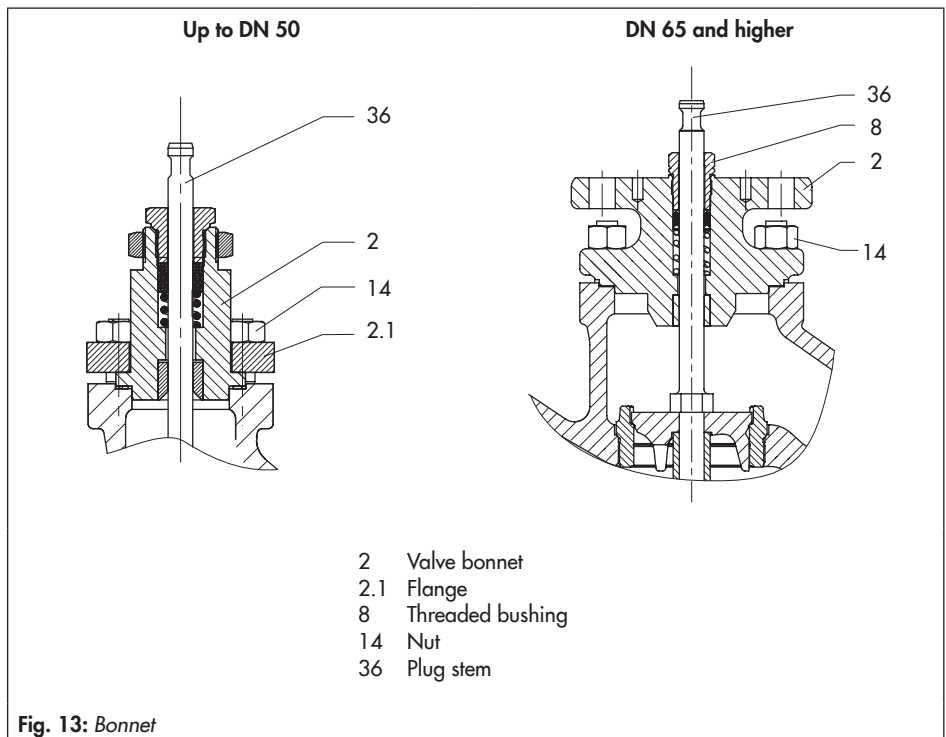
1. Apply a suitable lubricant to the plug stem (36) in the area where the packing is located.
2. Carefully place the valve bonnet (2) over the plug stem onto the valve body.

Valve up to DN 50

3. Place flange (2.1) on the bonnet and fasten with the nuts (14) (observe tightening torque in Table 1).
4. Apply a suitable lubricant to the thread of the threaded bushing (8). Screw in the threaded bushing and tighten it.

Valve in DN 65 and larger

3. Fasten the bonnet with the nuts (14).
4. Apply a suitable lubricant to the thread of the threaded bushing (8). Screw in the threaded bushing and tighten it.



5.4 SAMSON seat wrench and tightening torques

Contact the SAMSON After-sales Service for more details on mounting.

Table 1: SAMSON seat wrench and tightening torques

Nominal size	DN 15 to 25 NPS ½ to 2	DN 32 to 50 NPS 1½ to 2	DN 65 to 80 NPS 2½ to 3	DN 100 NPS 4	
Seat wrench Order no.	1280-3010	1280-3011	1280-0305	1280-0405	
Additionally required	9932-3814	9932-3808 9932-3812	9932-3808 9932-3814	9932-3808 9932-3814	
Seat thread tightening torque ±10 %	Top	120 Nm	M62 x 1.5 500 Nm	950 Nm	880 Nm
	Bottom	120 Nm	M68 x 1.5 500 Nm	1400 Nm	1320 Nm
Body nuts (14) tightening torque ±10 %	30 Nm	50 Nm	100 Nm	150 Nm	

6 Description of the nameplate

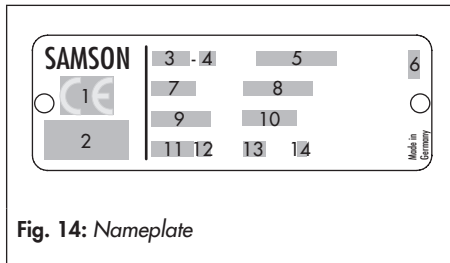


Fig. 14: Nameplate

- 1 CE marking or "Art. 3, Abs. 3", where applicable
- 2 ID of the notified body, fluid group and category, where applicable
- 3 Type designation
- 4 Device modification index
- 5 Material
- 6 Year of manufacture
- 7 Valve size: DIN: DN, ANSI: NPS
- 8 Perm. operating gauge pressure at room temperature, DIN: PN, ANSI: CL
- 9 Order no. with modification index
- 10 Item in order
- 11 Flow coefficient:
DIN: K_{VS} , ANSI: C_v
- 12 Characteristic: % equal percentage, Lin linear, DIN: A/Z, ANSI: O/C for on/off
- 13 Seal:
ME metal, **ST** Stellite coated,
Ni nickel plated,
PT soft PTFE seal,
PK soft PEEK seal
- 14 Version:
M mixing valve, **V** diverting valve

7 Dimensions

The dimensions for the DIN and ANSI versions of the Type 3323 Valve can be found in the associated Data Sheets ► T 8113 EN and ► T 8114 EN

8 Customer inquiries

Submit the following details when making inquiries:

- Order number and item in the order (written on the nameplate)
- Type, nominal size and nominal pressure of the valve
- Pressure and temperature of the process medium
- Flow rate in m^3/h
- Bench range of the mounted actuator (e.g. 1.4 to 2.3 bar)
- Strainer used
- Installation drawing



SAMSON AG · MESS- UND REGELTECHNIK
Weismüllerstraße 3 · 60314 Frankfurt am Main, Germany
Phone: +49 69 4009-0 · Fax: +49 69 4009-1507
samson@samson.de · www.samson.de

EB 8113/8114 EN

2014-07-11