

**Series 3731**

**Type 3731-5 Electropneumatic Ex d  
Positioner**



Communication: FOUNDATION™ fieldbus



Translation of original instructions



## **Configuration Manual**

**KH 8387-5 EN**

Firmware version R 1.6x/K 3.0x

Edition November 2017



## Note on these mounting and operating instructions

These mounting and operating instructions assist you in mounting and operating the device safely. The instructions are binding for handling SAMSON devices.

- For the safe and proper use of these instructions, read them carefully and keep them for later reference.
- If you have any questions about these instructions, contact SAMSON's After-sales Service Department (aftersaleservice@samson.de).



The mounting and operating instructions for the devices are included in the scope of delivery. The latest documentation is available on our website ([www.samson.de](http://www.samson.de)) > Product documentation. You can enter the document number or type number in the [Find:] field to look for a document.

### ! NOTICE

*Installation, start-up and on-site operation of the positioner are described in the Mounting and Operating Instructions ► EB 8387-5.*

## Definition of signal words

### ! DANGER

*Hazardous situations which, if not avoided, will result in death or serious injury*

### ! WARNING

*Hazardous situations which, if not avoided, could result in death or serious injury*

### ! NOTICE

*Property damage message or malfunction*

### i Note

*Additional information*

### 💡 Tip

*Recommended action*

<b>1</b>	<b>Introduction .....</b>	<b>4</b>
<b>2</b>	<b>Design and principle of operation .....</b>	<b>5</b>
1.1	Application type .....	6
1.2	Additional equipment .....	6
1.3	Configuration using TROVIS-VIEW .....	7
1.4	Communication .....	7
<b>3</b>	<b>FOUNDATION™ fieldbus block model.....</b>	<b>8</b>
<b>4</b>	<b>Initialization and zero calibration of the positioner .....</b>	<b>9</b>
<b>5</b>	<b>Resetting the positioner.....</b>	<b>10</b>
<b>6</b>	<b>Status classification and condensed state.....</b>	<b>10</b>
<b>7</b>	<b>Block model .....</b>	<b>11</b>
1.5	Resource Block (RES) .....	11
1.6	Transducer Blocks.....	12
1.7	Advanced Positioner Transducer Block (AO TRD) .....	12
1.8	Function blocks .....	14
1.8.1	Analog Output Function Block (AO FB) .....	14
1.8.2	Proportional Integral Derivative Function Block (PID).....	17
1.8.3	Discrete Input Function Block (DI1 FB + DI2 FB).....	19
<b>8</b>	<b>Other parameters.....</b>	<b>21</b>
1.9	Link Objects.....	21
1.10	LAS Functionality .....	22
<b>9</b>	<b>Parameter lists .....</b>	<b>22</b>
1.1	Resource Block (RES) .....	24
1.1	Advanced Positioner Transducer Block (AO TRD) .....	39
1.1	Analog Output Function Block (AO FB) .....	78
1.1	Analog Input Function Block (AI FB).....	86
1.1	Proportional Integral Derivative Function Block (PID).....	94
1.2	Discrete Output Function Block (DO FB) .....	110
1.3	Discrete Input Function Block (DI1 FB + DI2 FB).....	116

# 1 Introduction

This document is based upon:

- Fieldbus FOUNDATION™ Specification "Function Block Application Process Part 1 – 3" Revision 1.7 (FF-890 to FF-892)
- Fieldbus FOUNDATION™ Specification "Positioner Transducer Block" Revision 3.0 (FF-906)

## Type 3731-5 Positioner

The microprocessor-controlled positioner compares the set point cyclically transmitted over the FOUNDATION™ fieldbus network to the travel or opening angle of the control valve and issues a corresponding output signal pressure.

Special features:

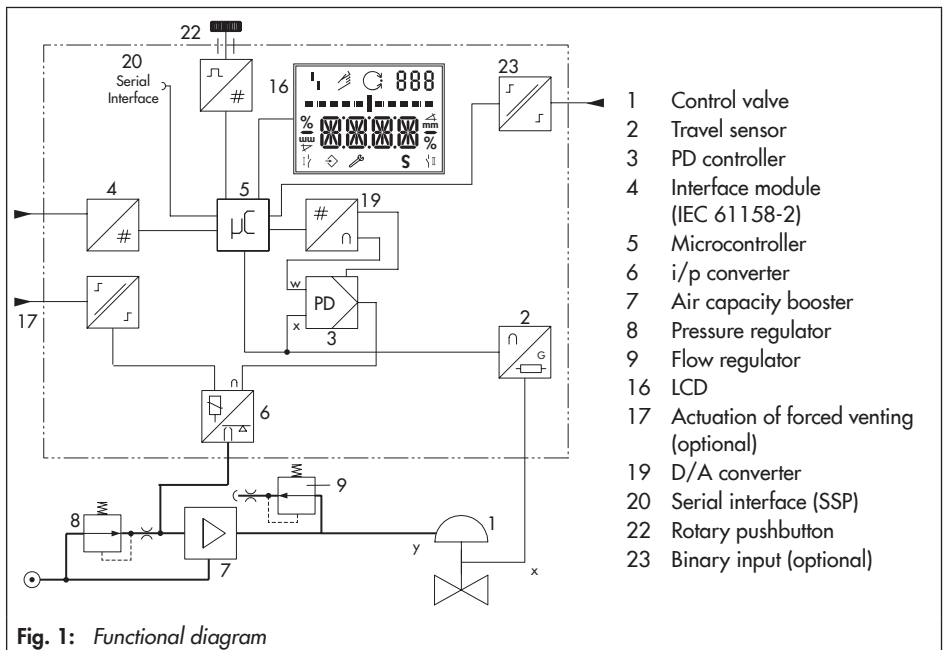
- Link Master Capability
- Simple attachment to all common linear actuators with interface for SAMSON direct attachment, NAMUR rib or valves with rod-type yokes according to IEC 60534-6-1 or to rotary actuators according to VDI/VDE 3845
- Any desired mounting position of the positioner
- One-knob, menu-driven operation
- Automatic start-up
- LCD easy to read in any mounted position due to selectable reading direction
- Integrated EXPERTplus diagnostics suitable for throttling and on/off valves and with additional partial stroke test for valves in safety-instrumented systems
- Classified status messages according to NAMUR Recommendation NE 107
- Online changing of control parameters
- Automatic zero monitoring
- Calibrated travel sensor without gears susceptible to wear
- Permanent storage of parameters (protected against power failure)
- Adjustable output pressure limitation
- Activatable tight-closing function
- Binary input for DC voltage signals
- Certified according to IEC 61508/SIL

## 2 Design and principle of operation

The electropneumatic Ex d positioner is mounted on pneumatic control valves and is used to assign the valve position (controlled variable  $x$ ) to the control signal (set point  $w$ ). The positioner compares the electric control signal of a control system to the travel or rotational angle of the control valve and issues a signal pressure (output variable  $y$ ) for the pneumatic actuator.

The positioner consists of an electric travel sensor system (2), an analog i/p converter (6) with a downstream air capacity booster (7) and the electronics with microcontroller (5).

When a set point deviation occurs, the actuator is either vented or filled with air. The signal pressure supplied to the actuator can be limited by software or on site to 1.4, 2.4 or 3.7 bar.





The fixed flow regulator (9) ensures a constant air flow to the atmosphere, which is used to flush the inside of the positioner housing and to optimize the air capacity booster (7). The i/p converter (6) is supplied with a constant upstream pressure by the pressure regulator (8) to compensate for any fluctuations in the supply pressure.

All parts are enclosed in an Ex d housing. The electrical connection is established over a separate terminal compartment also with Ex d protection.



The standard EXPERT valve diagnostics are integrated into the positioner. They provide information on the positioner and generate diagnostic and status messages, which allow faults to be pinpointed quickly.

## 2.1 Application type


The application types '**Control valve**' and '**On/off valve**' are available. The manual mode  (MAN) and the automatic mode (AUTO) can be selected with both application types.

Depending on the application type selected, the positioner responds differently in automatic mode (AUTO) .

Control over FOUNDATION™ fieldbus is performed over the AO Function Block (control valve) and over the DO1 Function Block (on/off valve). The application type can be entered in the Resource Block over the SELECT\_DO\_1 parameter or at the positioner using Code 49 - h0.

	Control valve	On/off valve
AUTO mode 	The positioner uses the set point to position the valve. The valve position (current position) appears in % on the display.	Discrete analysis of the set point The valve position (current position) in % and O/C (Open/Close) appear in alternating sequence on the display.
MAN mode 	The positioner follows the set point given over local operation.	

### Note

- Depending on the application type, certain diagnostic functions cannot be performed or analyzed ( EB 8389 on EXPERTplus valve diagnostics).
- In manual mode, an on/off valve can be moved past 100 % of the nominal range (with the closed position for AIR TO OPEN) or below 0 % of the nominal range (with the closed position for AIR TO CLOSE).

## 2.2 Additional equipment

### Binary input

Positioners can be optionally fitted with a binary input.

- Connection to terminals A-B:  
The binary input for DC voltage signals allows process information to be exchanged over the FOUNDATION™ fieldbus network.
- Connection to terminals B-C:  
Input to connect a floating contact powered by the positioner. The switching state of the binary input can be indicated over the FOUNDATION™ fieldbus network.

---

**i Note**

*The binary input is configured in the DI Function Block.*

---

### Forced venting

The i/p converter is de-energized when no operating voltage is applied to the corresponding terminals. The positioner can no longer operate and the control valve moves to the fail-safe position determined by the actuator, regardless of the set point.

## 2.3 Configuration using TROVIS-VIEW

The positioner can be configured with SAMSON's TROVIS-VIEW Software.

The positioner has for this purpose a serial interface to allow the RS-232 or USB port of a computer to be connected to it using an adapter cable.

The TROVIS-VIEW software enables the user to easily configure the positioner as well as view process parameters online.

## 2.4 Communication

The positioner is controlled completely by digital signal transmission according to FOUNDATION™ fieldbus specification.

Data are transmitted over the bus using digital, bit-synchronous Manchester coding at a Baud rate of 31.25 kbit/s over twisted-pair wires according to IEC 61158-2.

**i Note**

*If complex functions are started in the positioner, which require a long calculation time or lead to a large quantity of data being saved in the volatile memory of the positioner, the alert 'busy' is issued over the DD. This alert is not an error message and can be simply confirmed.*

### 3 FOUNDATION™ fieldbus block model

All the functions and data of the device are assigned to various block types in FOUNDATION™ fieldbus. Each block type covers a different range of tasks. In the SAMSON Type 3731-5 Positioner, the following block types are implemented:

#### Resource Block (RES)

The Resource Block (RES) describes characteristics of the fieldbus device, such as the device name, manufacturer number and serial number. There is only one Resource Block in a device.

#### Function Blocks (FB)

Function Blocks are responsible for the way a FOUNDATION™ fieldbus device works. A FOUNDATION™ fieldbus application can be configured by linking the input and output parameters of Function Blocks.

The Type 3731-5 Positioner includes the following Function Blocks:

- 1x Analog Output Function Blocks (AO FB); execution time: 30 ms
- 1x Analog Input Function Blocks (AI FB); execution time: 30 ms
- 2x Discrete Output Function Blocks (DO FB); execution time: 30 ms
- 2x Discrete Input Function Blocks (DI FB); execution time: 20 ms
- 1x Proportional Integral Derivative Function Block (PID); execution time: 40 ms



**Transducer Blocks (TRD)**

Each AI or AO Function Block has a Transducer Block which contains all data and device-specific parameters to link the device to the process value (sensor or final control element).

The following Transducer Blocks (corresponding to the Function Blocks) are implemented:

- 1x Advanced Positioner Transducer Block (AO TRD)
- 1x Analog Input Transducer Block (AI TRD)
- 2x Discrete Output Transducer Blocks (DO TRD)
- 2x Discrete Input Transducer Blocks (DI TRD)

### 4 Initialization and zero calibration of the positioner

Both an initialization and a zero calibration can be started over the XD\_COMMAND parameter of the AO Transducer Block. The relevant parameters for a MAX/NOM initialization and the diagnostic functions of EXPERTplus are listed below (► EB 8387-5).

- APPLICATION\_TYPE\_OC\_CONTROL (application type)
- INIT\_METHOD (initialization method)
- TRANS\_PIN\_POS (follower pin position)
- RATED\_TRAVEL (required rated travel for NOM initialization)
- PRESSURE\_LIMIT (pressure limit setting)
- SELECT\_EMERGENCY\_MODE (setting when the travel sensor is defective)
- DEVICE\_CHARACTERISTIC (settings for actuator and other accessories)
  - MODEL (actuator with or without spring-return mechanism)
  - BOOSTER (pneumatic volume booster)
  - STUFFING\_BOX (packing to seal the plug stem to the atmosphere)
  - XD\_COMMAND ("Start Initialization")
  - XD\_COMMAND\_STATE (initialization status)

---

#### **i** Note

Read the corresponding section on starting up the positioner in the Mounting and Operating Instructions ► EB 8387-5.

---

### 5 Resetting the positioner

The start-up and diagnostic data (in Code 36 Std) can be reset over the XD\_COMMAND (41) parameter of the AO Transducer Block.

The device data are reset and the function blocks connected to the values given in the FOUNDATION™ fieldbus specification using the DEFAULTS value in the RESTART (16) parameter of the Resource Block (RES).

A warm start of the positioner is performed using the PROCESSOR value in the RESTART (16) parameter of the Resource Block (RES).

The entire diagnostic data as well as the individual messages and histograms are reset over the RESET\_STATUS\_MESSAGE\_DIAG (147) parameter of the AO Transducer Block.

## 6 Status classification and condensed state

All status messages are classified in the positioner to report an error that has occurred. The status classification can be changed over the DIAG\_CLS parameter.

To provide a better overview, the classified messages are summarized in a condensed state (CONDENSED\_STATE (81) in the Resource Block). Besides the CONDENSED\_STATE parameter, the condensed state can be issued to the discrete output OUT\_D of the DI Function Blocks (DI1 + DI2).

Possible condensed states include:

0	OK	
1	Maintenance required	The positioner still performs its control task (with restrictions). A maintenance demand or above average wear has been determined. The wear tolerance will soon be exhausted or is reducing at a faster rate than expected. Maintenance is necessary in the medium term.
2	Maintenance demanded	The positioner still performs its control task (with restrictions). A maintenance demand or above average wear has been determined. The wear tolerance will soon be exhausted or is reducing at a faster rate than expected. Maintenance is necessary in the short term.
3	Maintenance alarm	The positioner cannot perform its control task due to a functional fault in the positioner itself or in one of its peripherals or an initialization has not yet been successfully completed.
7	Function check	Test or calibration procedures are performed in the positioner. The positioner is temporarily unable to perform its control task as long as the procedure is taking place.

## 7 Block model

Several parameters can only be changed in certain modes (see Read/write capability in the parameter description). In this case, not the actual mode is decisive, but the target mode.

### 7.1 Resource Block (RES)

The Resource Block contains all the data that identify the device. It is similar to an electronic device tag. Resource Block parameters include device type, device name, manufacturer ID, serial number as well as parameters that affect the behavior of all other blocks of the device.

See page 24 for parameter list

**i Note**

All time specifications in the Resource Block are specified in the unit of 1/32 ms according to the FOUNDATION™ fieldbus Specification Version 1.7.

In the Device Description Library supplied by Fieldbus FOUNDATION™ upon which the device description of Type 3731-5 is also based, these parameters are incorrectly specified as the unit of ms. The specified values supplied by the device are, however, always to be interpreted as the unit of 1/32 ms.

## 7.2 Transducer Blocks

Transducer Blocks link the function blocks to the input and output variables of a field device. For example, the DI Function Blocks are linked to the physical binary input, the forced venting, the current valve position or the condensed state of the positioner. This link to the various Transducer Blocks is made over the CHANNEL parameter of the individual function blocks. The table below shows how CHANNEL is assigned to the function block:

CHANNEL	Function block
1	AO
2	AI
3	DI1
4	DI2
5	DO1
6	DO2

The Transducer Blocks DI TRD and DO TRD are implemented according to the FOUNDATION™ fieldbus specification and do not contain any manufacturer-specific parameters.

## 7.3 Advanced Positioner Transducer Block (AO TRD)

The Advanced Positioner Transducer Block (AO TRD) contains an output value from an upstream Analog Output Function Block. This value is used to position a control valve. The block contains parameters to adapt the positioner to the actuator and valve as well as for valve start-up and diagnostics.

### Action on fault detection

The action on fault detection for the "Maintenance alarm" state in the condensed state can be configured in the XD\_FSTATE\_OPT parameter as follows:

- Hold last value
- Move to fail-safe position
- Move to fault state value XD\_FSTATE\_VAL

The action on fault detection to transfer to the O/S mode can be configured in the XD\_OOS\_OPT parameter as follows:

- Hold last value
- Move to fail-safe position
- Move to fault state value XD\_FSTATE\_VAL

The AO Transducer Block (AO TRD) can still set an output error in the AO Function Block. For this purpose, the following events to activate an output error can be configured in the ALARM\_OPTION parameter.

- No (never)
- Local Override (when the AO TRD is in the LOCAL OVERRIDE mode, i.e. the positioner is set locally in the SAFE mode or the forced venting is activated)
- MAN (when the AO TRD is in MAN mode)
- Block alarm (when the AO TRD has a MAINTENANCE NOW block error)
- AO TRD fault state (when the action on fault detection is active)
- AO O/S set fault state (when the AO Function Block in the O/S mode, the valve is moved to the FSTATE\_VAL of the AO Function Block)

Parameter description (Fig. 2)

Control valve	
FINAL_VALUE	Set point of upstream AO Function Block (control valve)
FINAL_POS_VALUE	Valve position after rescaling
WORKING_SP	Set point after scaling, characterization, end position function (corresponds to the controlled variable of the control algorithm)
WORKING_POS	Actual valve position
READBACK_SELECT	Select parameter which is issued to READBACK of the AO Function Block
On/off valve	
FINAL_VALUE_D	Discrete set point of upstream DO Function Block
FINAL_POS_VALUE_D	Discrete valve position after taking the direction of action into account
WORKING_SP_D	Set point after taking the direction of action into account (corresponds to the set point of the control algorithm)
WORKING_POS_D	Actual discrete valve position

See page 39 for parameter list

## 7.4 Function blocks

### 7.4.1 Analog Output Function Block (AO FB)

The AO Function Block processes an analog signal from an upstream block (e.g. PID Function Block) to an output value that can be used for the downstream Transducer Block (e.g. valve positioner). It contains scaling functions and ramp functions as well as other functions. The generated OUT value is forwarded over CHANNEL to the downstream Transducer Block.

The AO Function Block contains its set point SP depending on the mode (MODE\_BLK)

- Manually entered SP (AUTO)
- Directly from an upstream function block (CAS\_IN)
- Directly from a fieldbus host system (RCAS\_IN)

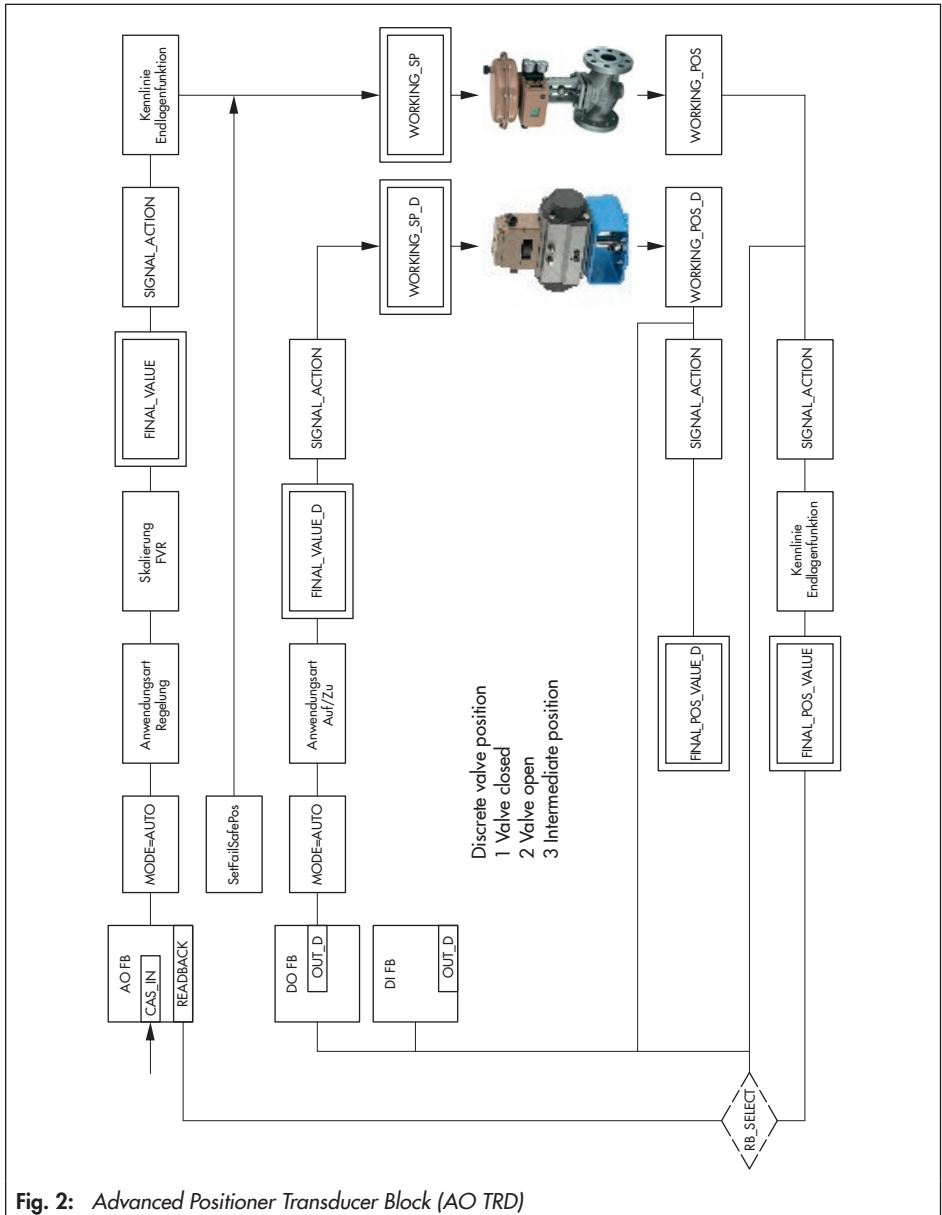


Fig. 2: Advanced Positioner Transducer Block (AO TRD)

An internal working process value PV is generated from SP, while taking into account:

- SP\_HI\_LIM (upper set point limit)
- SP\_LO\_LIM (lower set point limit)
- SP\_RATE\_DN (set point downward rate limit in AUTO mode)
- SP\_RATE\_UP (set point upward rate limit in AUTO mode)
- PV\_SCALE (range of the process variable (PV) (start, end, unit and decimal point))

The OUT value is generated, while taking into account:

- XD\_SCALE (range of the OUT value (start, end, unit and decimal point))
- IO\_OPTS (determines the input/output action of the AO TRD, e.g. action on fault detection)

### Action on fault detection

Action on fault detection taken during a communication fault (BAD status)

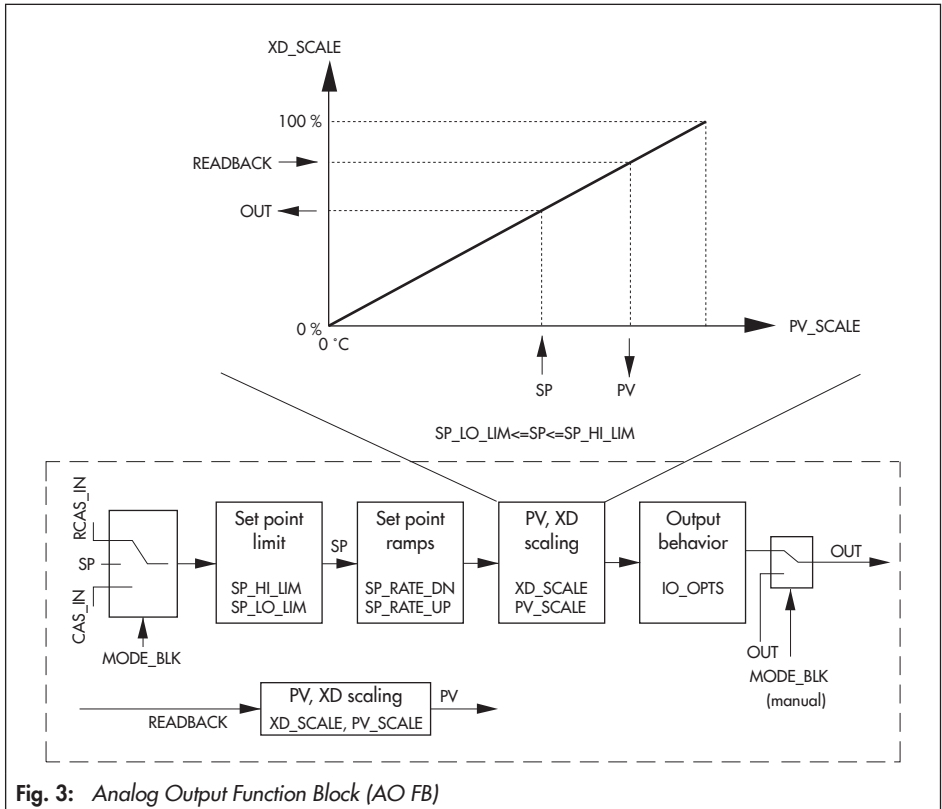
- The last valid value is used by default.
- By selecting FAULT STATE TO VALUE in the IO\_OPTS parameter, the valve moves to the fault state value FSTATE\_VAL configured in the AO Function Block.
- FSTATE\_TIME defines the length of time that the AO Function Block will wait to activate the fault state.

Action on fault detection in OUT OF SERVICE (O/S) mode

- After the AO Function Block has moved to O/S mode, the last valid output value is kept by default.
- By selecting "AO O/S set fault state" in the ALARM\_OPTION parameter of AO TRD, the valve moves to the fault state value FSTATE\_VAL configured in the AO Function Block.
- FSTATE\_TIME defines the length of time that the AO Function Block will wait to activate the fault state.

**See page 78 for parameter list**





## 7.4.2 Proportional Integral Derivative Function Block (PID)

A PID Function Block contains the input channel processing, the proportional-integral-derivative (PID) control loop and the analog output channel processing.

The configuration of the PID Block (PID controller) depends on the automation task. Simple control loops, control loops with output value feedforwarding, cascade control and cascade controls with limitation in combination with another controller function block can be implemented.

The following options are available for data processing within the PID Function Block (PID controller): signal scaling and limiting, mode control, feedforward control, override tracking, alarm limit detection and signal status propagation.

The PID Block (PID controller) can be used for various automation strategies. The block has a flexible control algorithm that can be configured to match the application.

The PID Function Block receives its set point depending on the mode (MODE\_BLK) from the input variables CAS\_IN, RCAS\_IN or SP. An internal working set point is generated based on PV\_SCALE, SP\_HI\_LIM, SP\_LO\_LIM, SP\_RATE\_UP and SP\_RATE\_DN.

The block receives the process value over the IN input variable which is used to generate the process variable PV, taking into account the PV\_SCALE and the filter of the first order PV\_FTME.

These values are fed to the internal PID algorithm. This algorithm consists of a proportional, an integral and a derivative component. The output value is calculated from the set point SP and the process variable PV resulting from the set point deviation.

The single PID components are included in the calculation of the output variable as follows:

- Proportional component:  
The proportional component reacts immediately and directly when the set point SP or the process variable PV changes. The output variable is changed by the proportional factor GAIN. This change corresponds to the set point deviation multiplied by the gain factor. If a controller works only with a proportional component, the control loop has a steady-state error signal.
- Integral component:  
The set point deviation resulting from the calculation of the output variable using the proportional component is integrated over the integral component of the controller until it is negligible. The integral function corrects the output variable depending on the size and duration of the system deviation. If the value for the integration time RESET is set to zero, the controller works as a P or PD controller. The influence of the integral component on the control loop increases when the value of the integration time RESET is reduced.

– Derivative component:

In controlled systems with long delay times, e.g. in temperature control loops, it is better to use the derivative component RATE of the controller. Using the derivative component RATE, the output variable is calculated depending on the rate of change of the set point deviation.

An OUT value is generated from the calculated output value based on the OUT\_SCALE, OUT\_HI\_LIM and OUT\_LO\_LIM parameters. It can be forwarded to a downstream function block.

The status of the OUT value can be influenced by the STATUS\_OPTS parameter depending on the status of the input variables of the PID Function Block. As a result, the fault state of a following output block can be activated, for example.

The BYPASS parameter allows the internal set point to pass directly through to the out value. The FF\_VAL input value allows feedforward control, while TRK\_IN\_D and TRK\_VAL allow the direct tracking of the out value.

See page 94 for parameter list

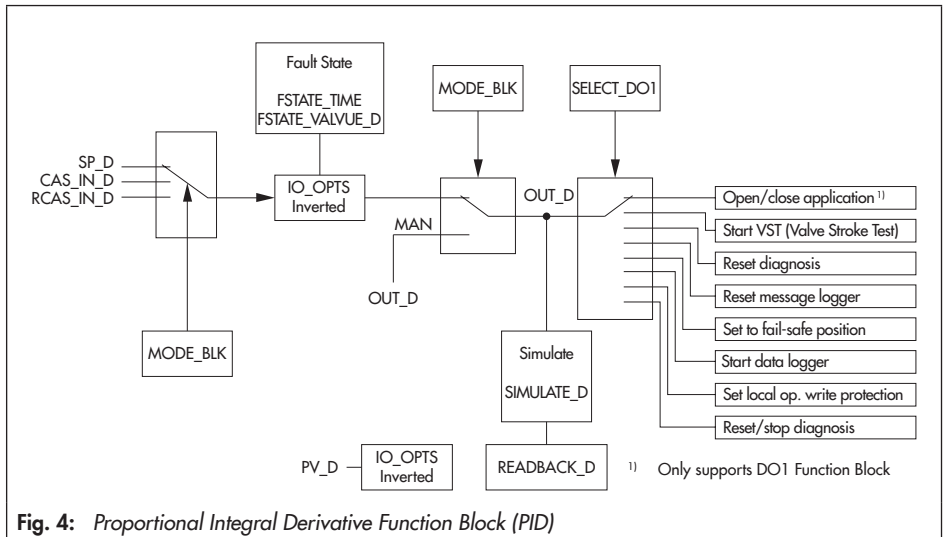


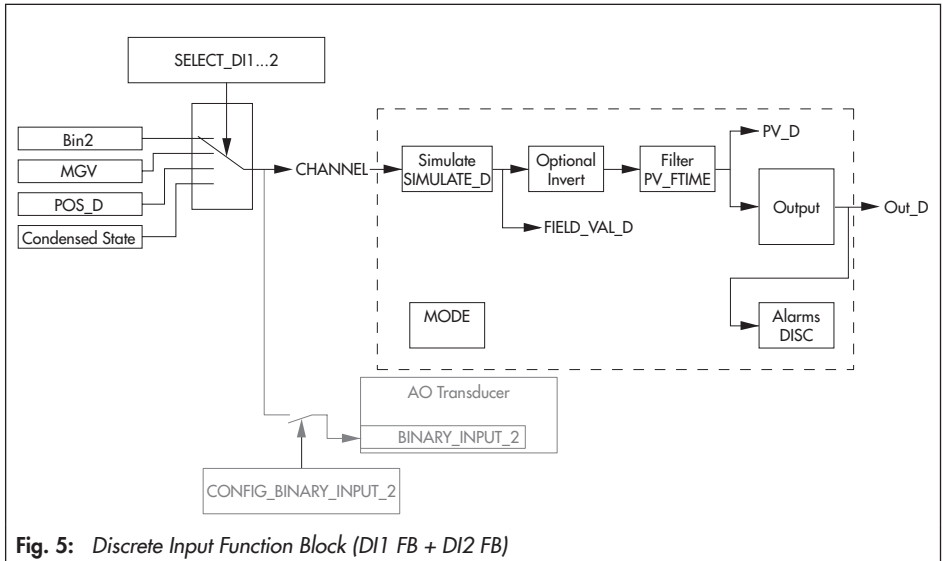
Fig. 4: Proportional Integral Derivative Function Block (PID)

### 7.4.3 Discrete Input Function Block (DI1 FB + DI2 FB)

The DI Function Block processes single discrete signals and provides them to other function blocks over the OUT\_D parameter. The positioner has two DI Function Blocks which provide the options listed in following. The application type is set over the SELECT\_DI\_1...2 parameters of the Resource Block.

- 5 – 30 VDC (DI1)  
As a standard feature, the positioner comes with a contact input to analyze binary voltage signals (terminals 87 and 88). The DI1 Function Block analyzes the state of the contact and issues it over OUT\_D.
- Floating contact (DI2)  
The positioner can be fitted with an optional binary input to analyze a floating contact (terminals 85 and 86). The DI2 Function Block analyzes the state of the contact and issues it over OUT\_D.
- Int. solenoid valve (DI1, DI2)  
In this setting, the current switching state of the optional forced venting is analyzed and issued over OUT\_D. '0' indicates an inactive forced venting and '1' an active forced venting.
- Discr. final valve position (DI1, DI2)  
In this setting, the current discrete valve position is issued over OUT\_D. The values are assigned as follows:
  - 0 Device not initialized
  - 1 Valve closed
  - 2 Valve open
  - 3 Valve in intermediate position
- Condensed State (DI1, DI2)  
In this setting, the current condensed state according to NAMUR Recommendation NE 107 is issued over OUT\_D. The status messages are assigned to the discrete value as follows:
  - 0 No message
  - 1 Maintenance required
  - 2 Maintenance demanded
  - 3 Failure
  - 7 Function check

See page 116 for parameter list



## 8 Other parameters

The Stale Counter serves to judge the "quality" of a process variable received over a configured cyclic connection (publisher/subscriber connection).

These connections are used to transfer the process variable linked amongst the various function blocks. For this purpose, the upstream block (publisher) sends the process variable over the bus at scheduled times. The downstream block(s) (subscriber) responds at the scheduled times. The blocks that are to receive data monitor whether a valid value exists at the scheduled time. A value is valid if it exists with the status "Good" at the scheduled time.

The Stale Counter defines how many "Bad" (stale) values can be accepted in sequence before the Fault State of the block is activated.

This monitoring function is deactivated by setting the Stale Counter to zero.

### 8.1 Link Objects

Link Objects are used to link the inputs and outputs of the function blocks (configurable cyclic connections).

A maximum of 22 Link Objects can be configured for each positioner.

### 8.2 LAS Functionality

The number of links and schedules that can be used is matched to the requirements of standard process control systems available on the market.

The positioner functioning as an LAS can support the following:

- 2 schedules
- 2 subschedules
- 5 sequences per subschedule
- 48 elements per sequence

In the delivered state, the device is configured as a basic device.

## 9 Parameter lists

### Legend

The parameter index is listed in brackets following the parameter name in the following tables.

Storage class	S	Static parameter
	D	Dynamic parameter
	N	Non-volatile parameter
Read/write capability:	r	Read capability
	w	Write capability
Access	O	O/S (out of service) mode
	M	MAN mode
	A	AUTO mode
	CAS	Cascade mode
	RCAS	External cascade mode
	ALL	O/M/A/CAS/RCAS
Other operating modes:	LO	Local override
	ROUT	External output

### **i** Note

*Values/settings in square brackets [ ] are default settings.*

## 9.1 Resource Block (RES)

<b>RES:</b>	<p><b>ACK_OPTIONS (38)</b> Storage class S; read/write capability r/w; supported modes O/A</p> <p>Automatic alarm acknowledgement</p> <ul style="list-style-type: none"> <li>• Resource Block</li> <li>• [UNDEFINED] · No selection</li> <li>• DISC ALM · Write protection was changed</li> <li>• BLOCK ALM · Block alarm</li> </ul> <p><b>Note:</b> The alarm is broadcast to the fieldbus host system, but not acknowledged by it.</p>
<b>RES:</b>	<p><b>ALARM_SUM (37)</b> Storage class S; read/write capability r/w; supported modes O/A</p> <p>Current status of process alarms in the Resource Block</p> <ul style="list-style-type: none"> <li>• DISC ALM · Write protection was changed</li> <li>• BLOCK ALM · Block alarm</li> </ul> <p><b>Note:</b> The process alarms can also be deactivated in this parameter group.</p>
<b>RES:</b>	<p><b>ALERT_KEY (4)</b> Storage class S; read/write capability r/w; supported modes O/A</p> <p>ID number of the plant section</p> <ul style="list-style-type: none"> <li>• 1 to 255, [0]</li> </ul> <p>May be used by the fieldbus host system to sort alarms and events.</p> <p><b>Note:</b> '0' is not permissible and will be rejected when transferring data to the device (error alarm).</p>
<b>RES:</b>	<p><b>ALL_ACTIVE_STATUS_MESSAGES (84)</b> Storage class S; read/write capability r/w</p> <p>Active status or error messages of the diagnostics</p>
<b>RES:</b>	<p><b>BLOCK_ALM (36)</b> Storage class D; read capability r</p> <p>Current block state with details on all configuration, hardware or system problems in the block including date and time stamp.</p>



<b>RES:</b>	<p><b>BLOCK_ERR (6)</b></p> <p>Storage class D; read capability r</p> <p>Active block errors → Code 48 S2</p> <ul style="list-style-type: none"> <li>• SIMULATE ACTIVE · Simulation jumper active, simulation possible</li> <li>• OUT OF SERVICE · Block mode is out of service</li> <li>• LOST STATIC DATA · Data loss in EEPROM</li> <li>• DEVICE NEEDS MAINTENANCE SOON · Maintenance required soon. This message triggers a block alarm (BLOCK_ALM) in the Resource Block.</li> <li>• DEVICE NEEDS MAINTENANCE NOW · Maintenance required now. This message triggers a block alarm (BLOCK_ALM) in the Resource Block.</li> </ul> <p><b>Note:</b> The assignment of error or diagnostic alarms to the desired function block is made using the ERROR_OPTION parameters in the Transducer Block.</p>
<b>RES:</b>	<p><b>BUS_ADDRESS (78)</b></p> <p>Storage class D; read capability r</p> <p>Bus address → Code 46</p> <ul style="list-style-type: none"> <li>• 0 to 255, [248]</li> </ul>
<b>RES:</b>	<p><b>CLR_FSTATE (30)</b></p> <p>Storage class D; read/write capability r/w; supported modes O/A</p> <p>Deactivation of the fault state of the AO Function Block</p>
<b>RES:</b>	<p><b>CONDENSED_STATE (81)</b></p> <p>Storage class D; read capability r</p> <p>Displays the current condensed state according to NAMUR Recommendation NE 107</p>
<b>RES:</b>	<p><b>CONFIRM_TIME (33)</b></p> <p>Storage class S; read/write capability r/w; supported modes O/A</p> <p>Confirmation time for event report</p> <p>If the device does not receive a confirmation within this period of time, the event report is sent again.</p> <ul style="list-style-type: none"> <li>• [640000 ms]</li> </ul>
<b>RES:</b>	<p><b>CYCLE_SEL (20)</b></p> <p>Storage class S; read/write capability r/w; supported modes O/A</p> <p>Block execution method determined by the fieldbus host system</p> <ul style="list-style-type: none"> <li>• [Scheduled]</li> <li>• Block Execution · Block execution completed</li> <li>• Manuf Specific · Not analyzed</li> </ul> <p><b>Note:</b> The execution method is selected directly in the fieldbus host system.</p>

<b>RES:</b>	<b>CYCLE_TYPE (19)</b> Storage class S; read capability r Block execution method supported by the device <ul style="list-style-type: none"> <li>• Scheduled</li> <li>• Block Execution · Block execution completed</li> </ul>
<b>RES:</b>	<b>DD_RESOURCE (9)</b> Storage class S; read capability r Source of the device description in the device <b>Note:</b> If no device description is available in the device, zero is displayed.
<b>RES:</b>	<b>DD_REV (13)</b> Storage class S; read capability r Revision number of the device description
<b>RES:</b>	<b>DESCRIPTOR (69)</b> Storage class S; read/write capability r/w; supported modes O/A Any desired text to describe the application. The text is saved in the field device. <ul style="list-style-type: none"> <li>• Max. 32 characters, [no text]</li> </ul>
<b>RES:</b>	<b>DEVICE_CERTIFICATION (68)</b> Storage class N; read capability r Certification · Specifies whether explosion protection certificates are available for the Type 3731-5.
<b>RES:</b>	<b>DEVICE_MESSAGE (70)</b> Storage class N; read/write capability r/w; supported modes O/A Any desired text. The text is saved in the field device. <ul style="list-style-type: none"> <li>• Max. 32 characters, [no text]</li> </ul>
<b>RES:</b>	<b>DEVICE_PRODUCT_NUM (71)</b> Storage class N; read capability r Article code of the positioner as assigned by the manufacturer
<b>RES:</b>	<b>DEVICE_SER_NUM (67)</b> Storage class N; read capability r Serial number of the positioner
<b>RES:</b>	<b>DEV_REV (12)</b> Storage class S; read capability r Revision number of the positioner

<b>RES:</b>	<b>DEV_TYPE (11)</b> Storage class S; read capability r Type number of the positioner (decimal number) • In this case: Type 3731-5
<b>RES:</b>	<b>DIAG_CLS (82)</b> Storage class S; read/write capability r/w Classification of diagnostic, status or error messages
<b>RES:</b>	<b>FAULT_STATE (28)</b> Storage class N; read capability r Fault state of the Analog Output Function Block
<b>RES:</b>	<b>FD_CHECK_ACTIVE (46)</b> Storage class D; read/write capability r Active error messages with the 'Function check' status
<b>RES:</b>	<b>FD_CHECK_ALM (58)</b> Storage class D; read/write capability r Active, not suppressed diagnostic messages with the 'Function check' status
<b>RES:</b>	<b>FD_CHECK_MAP (50)</b> Storage class S; read/write capability r/w Classification of diagnostic messages with the 'Function check' status
<b>RES:</b>	<b>FD_CHECK_MASK (54)</b> Storage class S; read/write capability r/w Activation/deactivation of diagnostic messages with the 'Function check' status
<b>RES:</b>	<b>FD_CHECK_PRI (62)</b> Storage class S; read/write capability r/w Determines the priority of diagnostic messages with the 'Out of specification' status
<b>RES:</b>	<b>FD_FAIL_ACTIVE (43)</b> Storage class D; read/write capability r Active error messages with the 'Maintenance alarm' status
<b>RES:</b>	<b>FD_FAIL_ALM (55)</b> Storage class D; read/write capability r Active, not suppressed diagnostic messages with the 'Maintenance alarm' status

<b>RES:</b>	<b>FD_FAIL_MAP (47)</b> Storage class S; read/write capability r/w Classification of diagnostic messages with the 'Maintenance alarm' status
<b>RES:</b>	<b>FD_FAIL_MASK (51)</b> Storage class S; read/write capability r/w Activation/deactivation of diagnostic messages with the 'Maintenance alarm' status
<b>RES:</b>	<b>FD_FAIL_PRI (59)</b> Storage class S; read/write capability r/w Determines the priority of diagnostic messages with the 'Maintenance alarm' status
<b>RES:</b>	<b>FD_MAINT_ACTIVE (45)</b> Storage class D; read/write capability r Active error messages with the 'Maintenance demanded' status
<b>RES:</b>	<b>FD_MAINT_ALM (57)</b> Storage class D; read/write capability r Active, not suppressed diagnostic messages with the 'Maintenance demanded' status
<b>RES:</b>	<b>FD_MAINT_MAP (49)</b> Storage class S; read/write capability r/w Classification of diagnostic messages with the 'Maintenance demanded' status
<b>RES:</b>	<b>FD_MAINT_MASK (53)</b> Storage class S; read/write capability r/w Activation/deactivation of diagnostic messages with the 'Maintenance demanded' status
<b>RES:</b>	<b>FD_MAINT_PRI (61)</b> Storage class S; read/write capability r/w Determines the priority of diagnostic messages with the 'Maintenance demanded' status
<b>RES:</b>	<b>FD_OFFSPEC_ACTIVE (44)</b> Storage class D; read/write capability r Active error messages with the 'Out of specification' status
<b>RES:</b>	<b>FD_OFFSPEC_ALM (56)</b> Storage class D; read/write capability r Active, not suppressed diagnostic messages with the 'Out of specification' status

<b>RES:</b>	<b>FD_OFFSPEC_MAP (48)</b> Storage class S; read/write capability r/w Classification of diagnostic messages with the 'Out of specification' status
<b>RES:</b>	<b>FD_OFFSPEC_MASK (52)</b> Storage class S; read/write capability r/w Activation/deactivation of diagnostic messages with the 'Out of specification' status
<b>RES:</b>	<b>FD_OFFSPEC_PRI (60)</b> Storage class S; read/write capability r/w Determines the priority of diagnostic messages with the 'Out of specification' status
<b>RES:</b>	<b>FD_RECOMMEN_ACT (64)</b> Storage class D; read/write capability r Recommended action
<b>RES:</b>	<b>FD_SIMULATE (63)</b> Storage class S; read/write capability r/w Simulation of diagnostic messages
<b>RES:</b>	<b>FD_VER (42)</b> Storage class S; read/write capability r Field diagnostic specification version • [1]
<b>RES:</b>	<b>FEATURES (17)</b> Storage class S; read capability r Additional functions supported by the device, see FEATURES_SEL
<b>RES:</b>	<b>FEATURES_SEL (18)</b> Storage class S; read/write capability r/w; supported modes O/A Selects the additional functions supported by the device <ul style="list-style-type: none"> <li>• REPORTS · Fieldbus host system needs to acknowledge receipt of the event report.</li> <li>• HARD W LOCK · Write lock switch hardware is assessed.</li> <li>• FAULTSTATE · Fault state can be activated (see SET_FSTATE/CLR_FSTATE).</li> <li>• OUT READBACK · Current valve position issued in the PV parameter of the Analog Function Block (otherwise in SP parameter).</li> </ul> <b>Note:</b> If the AO Function Block is not to move to the MAN mode when the forced venting function is activated, deactivate this option.

<b>RES:</b>	<b>FIRMWARE_REVISION (65)</b> Storage class N; read capability r Firmware version for communication and control
<b>RES:</b>	<b>FREE_SPACE (24)</b> · This parameter is not supported.
<b>RES:</b>	<b>FREE_TIME (25)</b> · This parameter is not supported.
<b>RES:</b>	<b>GRANT_DENY (14)</b> Storage class D; read/write capability r/w; supported modes NA Grant or deny a fieldbus host system access to the field device <b>Note:</b> This parameter is not analyzed by Type 3730-5.
<b>RES:</b>	<b>HARD_TYPES (15)</b> Storage class S; read capability r Types of input and output signals (hardware) available for the device <ul style="list-style-type: none"> <li>• [Scalar Output] · Scalable analog output variable</li> <li>• Scalar Input · Scalable analog input variable</li> <li>• Discrete Output</li> <li>• Discrete Input</li> </ul>
<b>RES:</b>	<b>HW_REVISION (66)</b> Storage class S; read capability r Hardware release for electronics and mechanics
<b>RES:</b>	<b>ITK_VER (41)</b> Storage class S Version of the Interoperability Tester Kit on which the interoperability testing is based.
<b>RES:</b>	<b>LIM_NOTIFY (32)</b> Storage class S; read/write capability r/w; supported modes O/A Number of unconfirmed event reports simultaneously supported by the device. <ul style="list-style-type: none"> <li>• 0 to [40]</li> </ul>
<b>RES:</b>	<b>LOCAL_OP_ENA (79)</b> Storage class N; read/write capability r/w; supported modes O/A Locks on-site operation

<b>RES:</b>	<b>MANUFAC_ID (10)</b> Storage class S; read capability r Manufacturer ID • [0 x 00E099] · SAMSON AG
<b>RES:</b>	<b>MAX_NOTIFY (31)</b> Storage class S; read capability r Number of unconfirmed event reports simultaneously supported by the device. • [40]
<b>RES:</b>	<b>MEMORY_SIZE (22)</b> · This parameter is not supported.
<b>RES:</b>	<b>MIN_CYCLE_T (21)</b> Storage class S; read capability r Shortest cycle time that the device can perform. • [8000 · ms]
<b>RES:</b>	<b>MODE_BLK (5)</b> Storage class N; read/write capability r/w; supported modes O/A Mode of the Resource Block – Target Mode → Code 48 S0 – Actual Mode (read only) → Code 48 S1 – Permitted Mode – Normal Mode (read only) • AUTO · The execution of the function blocks (AO and PID) is enabled. • O/S · The execution of the function blocks (AO and PID) is stopped. These blocks go out of service (O/S mode).
<b>RES:</b>	<b>NV_CYCLE_T (23)</b> Storage class S; read capability r Time interval in which device data are stored to the non-volatile memory. <b>Note:</b> Non-volatile data are saved immediately after transmission.

**RES: READING\_DIRECTION (77)**

Storage class D; read/write capability r/w; supported modes O/A

Reading direction → Code 2

The reading direction of the display is turned by 180°

- [Pneum. connection right]
- Pneum. connection left

**RES: RESTART (16)**

Storage class D; read/write capability r/w; supported modes O/A

Resetting the positioner

- RUN · Normal operating status
- RESOURCE (setting not supported)
- DEFAULTS · Resets device data and interconnection of function blocks to the values defined in the FF specification.
- PROCESSOR · Soft reset of the device, processor restart

**RES: RS\_STATE (7)**

Storage class D; read capability r

Current operating status of the Resource Block

- ONLINE · Normal operating state; the function block is in AUTO mode.
- STANDBY · The Resource Block is in O/S mode.
- ONLINE LINKING · The configured links between the function blocks have not been established yet.

**RES: SELECT\_USAGE\_IO (80)**

Storage class N; read/write capability r/w; supported modes O

SELECT\_DI\_1 · Data for processing in the DI1 Function Block

- [5-30 VDC] · State of the standard binary contact BI (terminals A-B)
  - 0 Input voltage  $U_e < 3\text{ V}$
  - 1 Input voltage  $U_e > 5\text{ V}$
- INT.SOL.VLVE · Switching state of the forced venting
  - 0 Fail-safe position at input signal  $\leq 3\text{ V}$
  - 1 Normal operation at input voltage  $> 5.5\text{ V}$



- DIS.FVLVE.POS · Current valve position as discrete information
    - 0 Device not initialized
    - 1 Current valve position < x %
    - 2 Current valve position > x %
    - 3 Intermediate position

**Note:** The limits for < x % and > x % are set in FINAL\_POSITION\_VALUE\_LIMITS [0.5; 99.5]
  - COND.STATE · Current condensed state
    - 0 OK
    - 1 Maintenance required
    - 2 Maintenance demanded
    - 3 Maintenance alarm
    - 7 Function check
- SELECT\_DI\_2 · Data for processing in the DI2 Function Block
- FI\_CONTACT · State of the binary contact (terminal B-C)
    - 0 Floating contact open
    - 1 Floating contact closed
  - INT.SOL.VLVE · State of the forced venting
    - 0 Fail-safe position at input signal  $\leq 3$  V
    - 1 Normal operation at input voltage >5.5 V
  - DIS.FVLVE.POS · Current valve position as discrete information
    - 0 Device not initialized
    - 1 Current valve position < x %
    - 2 Current valve position > x %
    - 3 Intermediate position

**Note:** The limits for < x % and > x % are set in FINAL\_POSITION\_VALUE\_LIMITS [0.5; 99.5]
  - COND.STATE · Current condensed state
    - 0 OK
    - 1 Maintenance required
    - 2 Maintenance demanded
    - 3 Maintenance alarm
    - 7 Function check

- [COND.STATE + VST] · Current condensed state and start of the VST (Valve Stroke Test). See setting in VST\_MODE parameter in the AO TRD Block.

SELECT\_DO\_1 · Purpose of the DO1 Function Block

- DO1 O/C · On/off service
- [VST] · Start of the VST (Valve Stroke Test). See setting in VST\_MODE parameter in the AO TRD Block.
- RESET DIAG · Reset diagnosis (resetting of statistical information and tests, the classification of status messages and logging remain saved)
- RESET LOGGER · Reset logging
- F-SAFE · Move to fail-safe position
- DLOG · Data logger (0 Start; 1 Stop)
- LOG WRITE PR · Lock on-site operation (LOCAL\_OP\_ENA)
- DIAGNOSIS · Reset/stop diagnostics
  - 1 Reset diagnosis
  - 2 Reset logging
  - 3 Stop diagnosis
  - 4 Enable/start diagnosis

SELECT\_DO\_2 · Purpose of the DO2 Function Block

- VST · Start of the VST (Valve Stroke Test). See setting in VST\_MODE parameter in the AO TRD Block.
- RESET DIAG · Reset diagnosis (resetting of statistical information and tests, the classification of status messages and logging remain saved)
- RESET LOGGER · Reset logging
- [F-SAFE] · Move to fail-safe position
- DLOG · Data logger (0 Start; 1 Stop)
- LOG WRITE PR · Lock on-site operation (LOCAL\_OP\_ENA)
- DIAGNOSIS · Reset/stop diagnostics
  - 1 Reset diagnosis
  - 2 Reset logging
  - 3 Stop diagnosis
  - 4 Enable/start diagnosis

**RES: SET\_FSTATE (29)**

Storage class D; read/write capability r/w; supported modes O/A

Activation of the fault state in the AO Function Block

<b>RES:</b>	<p><b>SHED_RCAS (26)</b> Storage class S; read/write capability r/w; supported modes O/A</p> <p>Monitoring time to check connection between fieldbus host system and PID Function Block in RCAS mode</p> <p>When the monitoring time has elapsed, PID Function Block switches from RCAS to the mode selected in the SHED_OPT parameter.</p> <ul style="list-style-type: none"> <li>• [640000 ms]</li> </ul>
<b>RES:</b>	<p><b>SHED_ROUT (27)</b> Storage class S; read/write capability r/w; supported modes O/A</p> <p>Monitoring time to check connection between fieldbus host system and PID Function Block in ROUT mode</p> <p>When the monitoring time has elapsed, PID Function Block switches from ROUT to the mode selected in the SHED_OPT parameter.</p> <ul style="list-style-type: none"> <li>• [640000 · ms]</li> </ul>
<b>RES:</b>	<p><b>STRATEGY (3)</b> Storage class S; read/write capability r/w; supported modes O/A</p> <p>Permits strategic grouping and thus faster processing of blocks</p> <ul style="list-style-type: none"> <li>• [0]</li> </ul> <p>Blocks are grouped by entering the same number in the STRATEGY parameter of each block.</p> <p><b>Note:</b> These data are neither checked nor processed by the Resource Block.</p>
<b>RES:</b>	<p><b>ST_REV (1)</b> Storage class N; read capability r</p> <p>Static revision number</p> <p><b>Note:</b> The revision number is incremented with each change of a static parameter in the block.</p>
<b>RES:</b>	<p><b>TAG_DESC (2)</b> Storage class S; read/write capability r/w; supported modes O/A</p> <p>User-specific text for unique identification and assignment of the block</p> <ul style="list-style-type: none"> <li>• Max. 32 characters, [no text]</li> </ul>
<b>RES:</b>	<p><b>TEST_RW (8)</b> Storage class D; read/write capability r/w; supported modes O/A</p> <p>This parameter is required for conformity tests only and is not relevant for normal operation.</p>

<b>RES:</b>	<p><b>TEXT_INPUT_1 (72) to TEXT_INPUT_5 (76)</b> Storage class N; read/write capability r/w; supported modes O/A</p> <p>Any text</p> <ul style="list-style-type: none"> <li>• Max. 32 characters, [no text]</li> </ul>
<b>RES:</b>	<p><b>UPDATE_EVT (35)</b> Storage class D; read capability r</p> <p>Indicates whether static data have been changed, including date and time stamp</p>
<b>RES:</b>	<p><b>WRITE_ALM (40)</b> Storage class D; read/write capability r/w; supported modes O/A</p> <p>Status of write protection alarm</p> <p><b>Note:</b> The alarm is triggered when write protection is deactivated.</p>
<b>RES:</b>	<p><b>WRITE_LOCK (34)</b> Storage class S; read/write capability r/w; supported modes O/A</p> <p>Status of the write protection switch → Code 47</p> <ul style="list-style-type: none"> <li>• LOCKED · Write protection activated</li> <li>• NOT LOCKED · Write protection deactivated</li> </ul> <p><b>Note:</b> The write-lock can be activated by setting Code 47 to ON: device data can only be read over FOUNDATION™ fieldbus communication, but not overwritten.</p> <p>The write-lock can be deactivated by setting Code 47 to OFF: device data can be overwritten over FOUNDATION™ fieldbus communication.</p>
<b>RES:</b>	<p><b>WRITE_PRI (39)</b> Storage class S; read/write capability r/w; supported modes O/A</p> <p>Behavior upon a write-lock alarm (WRITE_ALM parameter)</p> <ul style="list-style-type: none"> <li>• [0] · The write-lock alarm is not processed</li> <li>• 1 · The write-lock alarm is not broadcast to the fieldbus host system.</li> <li>• 2 · Reserved for block alarms</li> <li>• 3 to 7 · The write-lock alarm is issued to notify the operator with the corresponding priority: (3 = low, 7 = high)</li> <li>• 8 to 15 · The write-lock alarm is issued as a critical alarm with the corresponding priority: (8 = low, 15 = high)</li> </ul>

## Index and parameter assignment: Resource Block

Index	Parameters
0	RESOURCE_BLOCK_2
1	ST_REV
2	TAG_DESC
3	STRATEGY
4	ALERT_KEY
5	MODE_BLK
6	BLOCK_ERR
7	RS_STATE
8	TEST_RW
9	DD_RESOURCE
10	MANUFAC_ID
11	DEV_TYPE
12	DEV_REV
13	DD_REV
14	GRANT_DENY
15	HARD_TYPES
16	RESTART
17	FEATURES
18	FEATURE_SEL
19	CYCLE_TYPE
20	CYCLE_SEL
21	MIN_CYCLE_T
22	MEMORY_SIZE
23	NV_CYCLE_T
24	FREE_SPACE
25	FREE_TIME
26	SHED_RCAS
27	SHED_ROUT
28	FAULT_STATE
29	SET_FSTATE
30	CLR_FSTATE

Index	Parameters
31	MAX_NOTIFY
32	LIM_NOTIFY
33	CONFIRM_TIME
34	WRITE_LOCK
35	UPDATE_EVT
36	BLOCK_ALM
37	ALARM_SUM
38	ACK_OPTION
39	WRITE_PRI
40	WRITE_ALM
41	ITK_VER
42	FD_VER
43	FD_FAIL_ACTIVE
44	FD_OFFSPEC_ACTIVE
45	FD_MAINT_ACTIVE
46	FD_CHECK_ACTIVE
47	FD_FAIL_MAP
48	FD_OFFSPEC_MAP
49	FD_MAINT_MAP
50	FD_CHECK_MAP
51	FD_FAIL_MASK
52	FD_OFFSPEC_MASK
53	FD_MAINT_MASK
54	FD_CHECK_MASK
55	FD_FAIL_ALM
56	FD_OFFSPEC_ALM
57	FD_MAINT_ALM
58	FD_CHECK_ALM
59	FD_FAIL_PRI
60	FD_OFFSPEC_PRI
61	FD_MAINT_PRO

## Parameter lists

Index	Parameters
62	FD_CHECK_PRI
63	FD_SIMULATE
64	FD_RECOMMEN_ACT
65	FIRMWARE_REVISION
66	HW_REVISION
67	DEVICE_SER_NUM
68	DEVICE_CERTIFICATION
69	DESCRIPTOR
70	DEVICE_MESSAGE
71	DEVICE_PRODUCT_NUM
72	TEXT_INPUT_1

Index	Parameters
73	TEXT_INPUT_2
74	TEXT_INPUT_3
75	TEXT_INPUT_4
76	TEXT_INPUT_5
77	READING_DIRECTION
78	BUS_ADDRESS
79	LOCAL_OP_ENA
80	SELECT_USAGE_IO
81	CONDENSED_STATE
82	DIAG_CLS
84	ALL_ACTIVE_STATUS_MESSAGES

## 9.2 Advanced Positioner Transducer Block (AO TRD)

<b>AO TRD:</b>	<b>ACT_FAIL_ACTION (38)</b> Storage class S; read/write capability r/w The fail-safe action of the actuator in the event of supply air failure is detected automatically during initialization. <ul style="list-style-type: none"> <li>• Air to open (in 0 % position)</li> <li>• Air to close (in 100 % position)</li> </ul>
<b>AO TRD:</b>	<b>ACT_MAN_ID (39)</b> Storage class S; read/write capability r/w; supported modes O/M/A Actuator manufacturer Identifies the manufacturer of the actuator associated with the positioner
<b>AO TRD:</b>	<b>ACT_MODEL_NUM (40)</b> Storage class S; read/write capability r/w; supported modes O/M/A Type of the actuator associated with the positioner
<b>AO TRD:</b>	<b>ACT_SN (41)</b> Storage class S; read/write capability r/w; supported modes O/M/A Serial number of the actuator associated with the positioner
<b>AO TRD:</b>	<b>ALARM_OPTION (101)</b> Storage class S; read/write capability r/w Alarm setting to activate an output error in AO Function Block <ul style="list-style-type: none"> <li>• No (never) · No</li> <li>• Local Override · Alarm triggered when the AO TRD is in the LOCAL OVERRIDE mode, i.e. the positioner is set locally in the SAFE mode or forced venting is activated.</li> <li>• MAN · Alarm triggered when AO TRD is in MAN mode.</li> <li>• Block Alarm · Alarm triggered when the AO TRD has a MAINTENANCE NOW block error</li> <li>• AO TRD fault state · Alarm triggered when the fault state is active.</li> <li>• AO O/S set fault state · Alarm triggered when the AO Function Block in the O/S mode, the valve is moved to the FSTATE_VAL of the AO Function Block.</li> </ul>

<b>AO TRD: ALERT_KEY (4)</b>
Storage class S; read/write capability r/w
ID number of the plant section
<ul style="list-style-type: none"> <li>• 1 to 255, [0]</li> </ul>
May be used by the fieldbus host system to sort alarms and events.
Note: '0' is not permissible and will be rejected when transferring data to the device (error alarm).
<b>AO TRD: ANALYSIS_OPEN_CLOSE (147)</b>
Storage class D; read capability r
Statistical information > Open/Close
Reference analysis and the last two test analyses (▶ EB 8389 (EXPERTplus valve diagnostics))
<ul style="list-style-type: none"> <li>• TIME_STAMP_RISING/FALLING</li> <li>• BREAK_AWAY_TIME_RISING/FALLING</li> <li>• TRANSIT_TIME_RISING/FALLING</li> <li>• VALVE_END_POSITION_RISING/FALLING</li> </ul>
<b>AO TRD: APPLICATION_TYPE_OC_CONTROL (144)</b>
Storage class S; read/write capability r/w; supported modes O/M/A
Application type (valve)
<ul style="list-style-type: none"> <li>• Control Valve</li> <li>• Open/Close (on/off) Valve</li> </ul>
<b>AO TRD: AUTOMATIC_TEST_STATUS (175)</b>
Storage class S; read/write capability r/w; supported modes O/M/A
Status of active test: drive signal diagram steady (d1 test)
Drive signal diagram hysteresis (d2 test)
Static characteristic (d3 test)
Partial stroke test (PST) (d4 test)
<b>AO TRD: BINARY_INPUT_2 (111)</b>
Storage class D; read capability r
State of DI2 Function Block
The value issued depends on CONFIG_BINARY_INPUT_2.



<b>AO TRD: BLOCKING_POSITION (124)</b>
Storage class S; read/write capability r/w; supported modes O/M/A
Blocking position → Code 35
Distance to CLOSED position (0 % position)
Note: Only necessary with SUB initialization mode.
<b>AO TRD: BLOCK_ALM (8)</b>
Storage class D; read/write capability r/w
Current block state with details on all configuration, hardware or system problems in the block including date and time stamp.
<b>AO TRD: BLOCK_ERR (6)</b>
Storage class D; read capability r
Active block errors → Code 48 S2
<ul style="list-style-type: none"> <li>• SIMULATE ACTIVE · Simulation jumper active, simulation possible</li> <li>• OUT OF SERVICE · Block mode is out of service</li> <li>• LOST STATIC DATA · Data loss in EEPROM</li> <li>• DEVICE NEEDS MAINTENANCE SOON · Maintenance required soon. This message triggers a block alarm (BLOCK_ALM) in the AO TRD Block.</li> <li>• DEVICE NEEDS MAINTENANCE NOW · Maintenance required now. This message triggers a block alarm (BLOCK_ALM) in the AO TRD Block.</li> </ul>
Note: The assignment of error or diagnostic alarms to the desired function block is made using the ERROR_OPTION parameters in the Transducer Block.
<b>AO TRD: CHARACTERIZATION (91)</b>
Storage class S; read/write capability r/w; supported modes O/M/A
Characteristic selection → Code 20
1 Linear
2 Equal percentage
3 Equal percentage reverse
4 SAMSON butterfly linear
5 SAMSON butterfly equal percentage
6 VETEC rotary linear
7 VETEC rotary equal percentage
8 Segmented ball valve linear
9 Segmented ball valve (equal) percentage
10 User defined
Definition using AO TRD (CUSTOM_CURVE_XY_FLOAT (63))

<b>AO TRD:</b>	<b>CLOSED_POS_DEADBAND (61)</b> Storage class S; read/write capability r/w Zero limit [%] → Code 48 d5
<b>AO TRD:</b>	<b>CLOSED_POS_SHIFT (62)</b> Storage class N; read capability r Lower end position shift
<b>AO TRD:</b>	<b>CLOSING_DIRECTION (121)</b> Storage class S; read/write capability r/w; supported modes O/M/A Closing direction → Code 34 Lever's direction of rotation for travel pick-off which causes the CLOSED position (0 % position) of the control valve to be reached. Note: Only necessary with SUB initialization mode.
<b>AO TRD:</b>	<b>CONFIG_BINARY_INPUT_2 (110)</b> Storage class S; read/write capability r/w; supported modes O/M/A Sets the logical state of DI2 <ul style="list-style-type: none"> <li>• [NOT EVALUATED]</li> <li>• ACTIVELY OPEN</li> <li>• ACTIVELY CLOSED</li> </ul> <b>Note:</b> The parameter is processed by the BINARY_INPUT_2 parameter. The parameter settings do not depend on DI2 Transducer Block.
<b>AO TRD:</b>	<b>COUNTER_INIT_START (138)</b> Storage class D; read capability r The total number of initializations that have been performed since the last reset → Code 48 d4
<b>AO TRD:</b>	<b>CUSTOM_CURVE_DESCRIPTION (63)</b> · This parameter is not supported.
<b>AO TRD:</b>	<b>CUSTOM_CURVE_XY_FLOAT (65)</b> Storage class S; read/write capability r/w; supported modes O/M/A Enter the user-defined characteristic
<b>AO TRD:</b>	<b>CYCLE_CNTR (33)</b> Storage class D; read capability r Number of measured cycles since the counter was last reset

<b>AO TRD:</b>	<b>CYCLE_CNTR_LIM (76)</b> Storage class S; read/write capability r/w; supported modes O/M/A Maximum cycle counter limit for user-defined settings (selected through Stuffing box/ Other)
<b>AO TRD:</b>	<b>DEPTXE (173)</b> Storage class D; read capability r Statistical information > Trend of travel end position > Lower end position Characteristic of the lower end position
<b>AO TRD:</b>	<b>DEPTXR (174)</b> Storage class D; read capability r Statistical information > Trend of travel end position > Lower end position Reference characteristic of the lower end position
<b>AO TRD:</b>	<b>DEVIATION_DEADBAND (21)</b> Storage class S; read/write capability r/w; supported modes O/M/A Tolerance band relating to the operating range → Code 190 • 1 to 10.0 %, [5.0 %]
<b>AO TRD:</b>	<b>DEVIATION_MAX (105)</b> Storage class D; read capability r Max. set point deviation of the positioner that has occurred
<b>AO TRD:</b>	<b>DEVIATION_MIN (104)</b> Storage class D; read capability r Min. set point deviation of the positioner that has occurred
<b>AO TRD:</b>	<b>DEVIATION_TIME (22)</b> Storage class S; read/write capability r/w; supported modes O/M/A Lag time (resets active control loop monitoring) • 1 to 240 s, [10 s] A control loop error is reported when entered lag time (DEVIATION_TIME) is exceeded and the set point deviation is not within the entered tolerance band (DEVIATION_DEADBAND). Note: The DEVIATION_TIME value is determined during initialization from the minimum transit time.
<b>AO TRD:</b>	<b>DEVIATION_VALUE (23)</b> Storage class D; read capability r Set point deviation e → Code 39

## Parameter lists

<b>AO TRD: DEVICE_INIT_STATE (120)</b> Storage class D; read capability r Indicates whether the device has been initialized.
<b>AO TRD: DEVICE_STATUS_INIT (121)</b> Storage class D; read capability r Status of initialization in progress
<b>AO TRD: DIAG_LEVEL (132)</b> Storage class D; read capability r Existing diagnostic level: EXPERTplus
<b>AO TRD: DIAG_REFLAUF_INFO (176)</b> Storage class S; read capability r Status of the reference tests in progress
<b>AO TRD: DIAG_RESET_AFTER_TIME (142)</b> Storage class S; read/write capability r/w; supported modes O/M/A Time until the next single reset of the diagnosis
<b>AO TRD: DIAG_RESET_AFTER_TIMEOUT (143)</b> Storage class S; read capability r Time remaining until the next single reset of the diagnosis
<b>AO TRD: DSKV1 (194) to DSKV4 (197)</b> Storage class D; read capability r Tests/Static characteristic Measured valve position (x) values of the characteristic
<b>AO TRD: DSKW1 (198) to DSKW4 (201)</b> Storage class D; read capability r Tests/Static characteristic Measured set point (w) values of the characteristic
<b>AO TRD: DSXHTW (191)</b> Storage class D; read capability r Tests > Drive signal diagram hysteresis (d2 test) Measured valve position (x) values of the characteristic of the last performed test

<b>AO TRD:</b>	<b>DSXSTR (182)</b> Storage class D; read capability r Tests > Drive signal diagram steady (d1 test) Measured valve position (x) values of the reference characteristic
<b>AO TRD:</b>	<b>DSXSTW (184)</b> Storage class D; read capability r Tests > Drive signal diagram steady (d1 test) Measured valve position (x) values of the characteristic of the last performed test
<b>AO TRD:</b>	<b>DSYHTR (189)</b> Storage class D; read capability r Tests > Drive signal diagram hysteresis (d2 test) Measured valve position (x) values of the reference characteristic
<b>AO TRD:</b>	<b>DSYHTW (190)</b> Storage class D; read capability r Statistical information > Drive signal diagram > Hysteresis Mean values of drive signal changes (long-term monitoring)
<b>AO TRD:</b>	<b>DSYSK (157)</b> Storage class D; read capability r Statistical information > Drive signal diagram > Steady Measured values of the characteristic, drive signal (short-term monitoring)
<b>AO TRD:</b>	<b>DSYSL (156)</b> Storage class D; read capability r Statistical information > Drive signal diagram > Steady Measured values of the characteristic, drive signal (long-term monitoring)
<b>AO TRD:</b>	<b>DSYSS (158)</b> Storage class D; read capability r Statistical information > Drive signal diagram > Steady Shows last ten measured drive signal values (belonging to DIAGR_VALVE_POS_STAT_SHORT)
<b>AO TRD:</b>	<b>DSYSTR (181)</b> Storage class D; read capability r Tests > Drive signal diagram hysteresis (d2 test) Measured drive signal y values of the reference characteristic

<b>AO TRD: DSYSTW (183)</b>
Storage class D; read capability r
Tests > Drive signal diagram steady (d1 test)
Measured drive signal y values of the reference characteristic
<b>AO TRD: DVPSS (159)</b>
Storage class D; read capability r
Statistical information > Drive signal diagram > Steady
Shows last ten measured valve position values (belonging to DIAGR_STELL_Y_STAT_SHORT)
<b>AO TRD: EHM (136)</b>
Storage class D; read capability r
Operating hours counter
<ul style="list-style-type: none"> <li>• ELAPSED_HOURS_TOTAL · Device switched on</li> <li>• ELAPSED_HOURS_IN_CLOSED_LOOP</li> <li>• ELAPSED_HOURS_SWITCHED_ON_SINCE_INIT · Device switched on since last initialization</li> <li>• ELAPSED_HOURS_IN_CLOSED_LOOP_SINCE_INIT · Device in closed-loop operation since last initialization</li> </ul>
<b>AO TRD: END_POS_TREND_REF_DRIVE_SIG_REF (168)</b>
Storage class D; read capability r
Statistical information > Trend of travel end position > Lower end position
Reference value of the lower end position (drive signal y)
<b>AO TRD: END_POS_TREND_REF_TIME_REF (167)</b>
Storage class D; read capability r
Statistical information > Trend of travel end position > Lower end position
Reference value of the lower end position (time stamp)
<b>AO TRD: END_POS_TREND_REF_VALUES_REF (166)</b>
Storage class D; read capability r
Statistical information > Trend of travel end position > Lower end position
Reference value of the lower end position (valve position x)
<b>AO TRD: EPTRDS (171)</b>
Storage class D; read capability r
Statistical information > Trend of travel end position > Lower end position
Reading of the last 30 lower end positions (drive signal y)

<b>AO TRD: EPTRT (170)</b>
Storage class D; read capability r
Statistical information > Trend of travel end position > Lower end position Reading of the last 30 lower end positions (time stamp)
<b>AO TRD: EPTRV (169)</b>
Storage class D; read capability r
Statistical information > Trend of travel end position > Lower end position Reading of the last 30 lower end positions (valve position x)
<b>AO TRD: EVENT_LOGGING_1 (139) EVENT_LOGGING_2 (140)</b>
Storage class D; read capability r
<ul style="list-style-type: none"> <li>• EVENT_LOGGING_1: indicates event logs 0 – 14 with the time they were recorded</li> <li>• EVENT_LOGGING_2: indicates event logs 15 – 29 with the time they were recorded</li> </ul>
<b>AO TRD: FINAL_POSITION_VALUE (18)</b>
Storage class D; read capability r
Current valve position after taking rescaling into account
<b>AO TRD: FINAL_POSITION_VALUE_D (50)</b>
Storage class D; read capability r
Current discrete valve position after taking the direction of action into account
<b>AO TRD: FINAL_POSITION_VALUE_LIMITS (131)</b>
Storage class S; read/write capability r/w
Limit of the valve position (FINAL_POSITION_VALUE)
<ul style="list-style-type: none"> <li>• FINAL_POSITION_VALUE_LIMITS</li> <li>• FINAL_POSITION_VALUE_HIGH_LIMIT</li> <li>• FINAL_POSITION_VALUE_LOW_LIMIT</li> </ul>
This variable is sent to the AO Transducer Block directly from the valve
<b>AO TRD: FINAL_VALUE (14)</b>
Storage class S; read/write capability r/w; supported modes O/M
Positioning value TRD
FINAL_VALUE contains the positioning value received from the upstream AO Function Block.
Scaling over FINAL_VALUE_RANGE

### AO TRD: FINAL\_VALUE\_CUTOFF\_HI (16)

Storage class S; read/write capability r/w; supported modes O/M/A

Setpoint cutoff increase → Code 15

- 50 to 100 %, [100 %]

If the set point exceeds the entered value, the valve is moved towards the end position (corresponding to 100 % of the output value). To do so, the actuator is either completely filled with air or completely vented depending on the fail-safe action.

**Note:** The function is deactivated by entering -2.5 %.

**NOTICE** The control valve moves to its final end position as this function causes the actuator to be either fully vented or filled with air. Restrictions determined by the travel range or travel stop function do not apply. Deactivate this function if excessive thrust may arise as a result.

### AO TRD: FINAL\_VALUE\_CUTOFF\_HI\_ON (123)

Storage class S; read/write capability r/w; supported modes O/M/A

Enable setpoint cutoff increase → Code 15

### AO TRD: FINAL\_VALUE\_CUTOFF\_LO (17)

Storage class S; read/write capability r/w; supported modes O/M/A

Setpoint cutoff decrease → Code 14

- 0 to 50 %, [1 %]

If the set point falls below the entered value, the valve is moved towards the end position (corresponding to 0 % of the output value). To do so, the actuator is either completely filled with air or completely vented depending on the fail-safe action.

**Note:** The function is deactivated by entering 0 %.

**NOTICE** The control valve moves to its final end position as this function causes the actuator to be either fully vented or filled with air. Restrictions determined by the travel range or travel stop function do not apply. Deactivate this function if excessive thrust may arise as a result.

### AO TRD: FINAL\_VALUE\_CUTOFF\_LO\_ON (122)

Storage class S; read/write capability r/w; supported modes O/M/A

Enable setpoint cutoff decrease → Code 14

### AO TRD: FINAL\_VALUE\_D (49)

Storage class S; read/write capability r/w; supported modes O/M

Discrete set point of upstream DO1 Function Block



<b>AO TRD:</b>	<b>FINAL_VALUE_RANGE (15)</b> Storage class S; read/write capability r/w; supported modes O Travel/angle range <ul style="list-style-type: none"> <li>• FINAL VALUE RANGE EU_100 · Travel/angle range end → Code 9</li> <li>• FINAL VALUE RANGE EU_0 · Travel/angle range start → Code 8</li> <li>• FINAL VALUE RANGE UNITS_INDEX · Unit</li> <li>• FINAL VALUE RANGE DECIMAL · Decimal point</li> </ul> <p><b>Note:</b> FINAL_VALUE is sent to the AO Transducer Block directly from an upstream AO Function Block.</p> <p>The FINAL_VALUE_RANGE operating range is compared on entering it with TRANS_PIN_POS. If the TRANS_PIN_POS parameter is changed, the positioner checks whether the setting and unit match the current operating range FINAL_VALUE_RANGE. If this is not the case, the FINAL_VALUE_RANGE operating range is set to 0 to 100 %.</p>
<b>AO TRD:</b>	<b>FRICION (68)</b> Storage class N; read capability r Determined friction in percent
<b>AO TRD:</b>	<b>FRICION_LIMITS (265)</b> Storage class S; read/write capability r/w; supported modes O/M/A Upper/lower friction limits <ul style="list-style-type: none"> <li>• FRICION_LIMIT_UP, 0 to 1000 % [200 %]</li> <li>• FRICION_LIMIT_DOWN, 0 to 1000 % [50 %]</li> </ul>
<b>AO TRD:</b>	<b>FRICION_UNITS (67)</b> · This parameter is not supported.
<b>AO TRD:</b>	<b>FST_BREAKOUT_TIME (86)</b> Storage class S; read capability r Breakaway time determined during the last full stroke test (FST)
<b>AO TRD:</b>	<b>FST_BREAKOUT_TIMEOUT (87)</b> Storage class S; read/write capability r/w; supported modes O/M/A Cancellation conditions of the full stroke test (FST): maximum breakaway time <ul style="list-style-type: none"> <li>• 0.0 to 25000.0 s, [7.5 s]</li> </ul>
<b>AO TRD:</b>	<b>FST_COMPLETION_TIMEOUT (90)</b> Storage class S; read/write capability r/w; supported modes O/M/A Cancellation conditions of the full stroke test (FST): maximum test duration (user-defined) <ul style="list-style-type: none"> <li>• 0.0 to 25000.0 s, [30.0 s]</li> </ul>

<p><b>AO TRD: FST_DIAGR_E1 (257) to FST_DIAGR_E4 (260)</b>                  Storage class D; read capability r                  Statistical information &gt; Data logger: Measured set point deviation (e)</p>
<p><b>AO TRD: FST_DIAGR_TIME1 (245) to FST_DIAGR_TIME4 (248)</b>                  Storage class D; read capability r                  Tests &gt; Full stroke test (FST): Measured time (t)</p>
<p><b>AO TRD: FST_DIAGR_W1 (253) to FST_DIAGR_W4 (256)</b>                  Storage class D; read capability r                  Statistical information &gt; Data logger: Measured set point (w)</p>
<p><b>AO TRD: FST_DIAGR_X1 (249) to FST_DIAGR_X4 (252)</b>                  Storage class D; read capability r                  Statistical information &gt; Data logger: Measured valve position (x)</p>
<p><b>AO TRD: FST_DIAGR_Y1 (261) to FST_DIAGR_Y4 (264)</b>                  Storage class D; read capability r                  Statistical information &gt; Data logger: Measured drive signal (y)</p>
<p><b>AO TRD: FST_DISPLAY (238)</b>                  Storage class D; read capability r                  Information on the full stroke test (FST)</p> <ul style="list-style-type: none"> <li>• FST_PROGRESS_FLAG · Current progress of the test</li> <li>• FST_STATUS_PST · Status (successful/not successful)</li> <li>• FST_NUMBERS_OF_TESTS · Number of full stroke tests performed</li> <li>• FST_SETTINGS_MIN_SCAN_RATE · Recommended min. scan rate</li> <li>• FST_SETTINGS_DURATION_TEST · Expected duration of test</li> </ul>

**AO TRD: FST\_MEAS\_DATA1 (239) to FST\_MEAS\_DATA3 (241)**

Storage class D; read capability r

Measured data assessment of the full stroke test (FST)

FST\_MEAS\_DATA1 (271) = Current test

FST\_MEAS\_DATA2 (272) = First measured data assessment saved

FST\_MEAS\_DATA3 (273) = Second measured data assessment saved

- FST\_TIME\_STAMP · Time stamp for this test
- FST\_OVERSHOOT\_RISING · Overshoot (rising)
- FST\_DEAD\_TIME\_RISING · Dead time (rising)
- FST\_T63\_RISING · T63 (rising)
- FST\_T98\_RISING · T98 (rising)
- FST\_RISE\_TI\_RISING · Rise time (rising)
- FST\_SETTL\_TI\_RISING · Settling time (rising)
- FST\_OVERSHOOT\_FALLING · Overshoot (falling)
- FST\_DEAD\_TI\_FALLING · Dead time (falling)
- FST\_T68\_FALLING · T63 (falling)
- FST\_T98\_FALLING · T98 (falling)
- FST\_RISE\_T\_FALLING · Rise time (falling)
- FST\_SETTL\_T\_FALLING · Settling time (falling)

**AO TRD: FST\_RAMP\_RATE (88)** · This parameter is not supported.**AO TRD: FST\_SETTINGS (237)**

Storage class D; read/write capability r/w; supported modes O/M/A

Settings for the full stroke test (FST)

- FST\_TOL\_LIMIT\_RESPONSE · Tolerance limit for step start/end values
- FST\_ACTIV\_RAMP\_FUNCTION · Activate ramp function
- FST\_RAMP\_TIME\_RISING · Ramp time (rising)
- FST\_RAMP\_TIME\_FALLING · Ramp time (falling)
- FST\_SETTLING\_TIME · Settling time before starting test
- FST\_SCAN\_RATE

**AO TRD: FST\_STRK\_TRAV\_TIMEOUT (89)**

Storage class S; read/write capability r/w; supported modes O/M/A



Cancellation conditions of the full stroke test (FST): Perm. time until step end 0.0 to 25000 s, [15.0 s]

<b>AO TRD: FST_TEST_INFO (235)</b>
Storage class D; read capability r
Current status of the full stroke test (FST)
<b>AO TRD: FST_TEST_STAT1 (274) to FST_TEST_STAT3 (276)</b>
Storage class D; read capability r
Status of the full stroke test (FST)
FST_TEST_STAT1 (274) = Current test
FST_TEST_STAT2 (275) = First saved status
FST_TEST_STAT3 (276) = Second saved status
<ul style="list-style-type: none"> <li>• FST_NO_TEST_AVAILABLE · No test available</li> <li>• FST_MAX_TIME_EXCEEDED · Max. test duration exceeded</li> <li>• FST_TEST_MANUA_CANCEL · Test canceled manually</li> <li>• FST_OUT_OF_MEMORY · Measured data memory full</li> <li>• FST_ABO_INT_SOL_VALVE · Canceled due to internal solenoid valve/forced venting</li> <li>• FST_PRESSURE_FRICTION · Canceled due to supply air/friction</li> <li>• FST_CURRENT_TOO_LOW · Test canceled, insufficient current</li> </ul>
<b>AO TRD: HIST (135)</b>
Storage class D; read capability r
Reading in hours (or part thereof)
<ul style="list-style-type: none"> <li>• HIS_T_ZEIT_MIN_TEMPERATURE · Operating hours counter: lowest temperature inside the positioner</li> <li>• HIS_T_ZEIT_MAX_TEMPERATURE · Operating hours counter: highest temperature inside the positioner</li> <li>• TEMP_PERIOD_TIME_LOW · Time the temperature remained below -40 °C (-40 °F)</li> <li>• TEMP_PERIOD_TIME_HIGH · Time the temperature remained above +80 °C (+176 °F)</li> </ul>
<b>AO TRD: HISTOGR_X_SCAN_RATE (150)</b>
Storage class D; read/write capability r/w; supported modes O/M/A
Statistical information > Short-term valve position x histogram: measured values and mean value
<b>AO TRD: HISTOGR_X_SHORT (149)</b>
Storage class D; read capability r
Statistical information > Short-term valve position x histogram: scan rate to record valve positions

<b>AO TRD:</b>	<b>HXL (148)</b> Storage class D; read capability r Statistical information > Long-term valve position x histogram: measured values, mean value, number of measuring points and observation period
<b>AO TRD:</b>	<b>HYSTERESIS (69)</b> · This parameter is not supported.
<b>AO TRD:</b>	<b>HYST_SHORT_DIFF_Y (163)</b> Storage class D; read capability r Statistical information > Drive signal diagram > Hysteresis: last ten measured values of drive signal difference (y) (belonging to HYST_VALVE_POS)
<b>AO TRD:</b>	<b>HYST_VALVE_POS (164)</b> Storage class D; read capability r Statistical information > Drive signal diagram > Hysteresis: last ten measured values of valve position (belonging to HYST_SHORT_DIFF_Y)
<b>AO TRD:</b>	<b>IDENT_OPTIONS (108)</b> Storage class D; read capability r Options (additional equipment) <ul style="list-style-type: none"> <li>• 1 Forced venting</li> <li>• 2 Binary input</li> </ul>
<b>AO TRD:</b>	<b>INIT_METHOD (116)</b> Storage class S; read/write capability r/w Initialization mode → Code 6 <ul style="list-style-type: none"> <li>• 0 Maximum range (MAX)</li> <li>• 1 Nominal range (NOM)</li> <li>• 2 Manually selected range (MAN)</li> <li>• 3 Substitute calibration (SUB)</li> <li>• 4 Zero calibration</li> </ul>
<b>AO TRD:</b>	<b>INIT_WITH_REF_TEST (117)</b> Storage class S; read/write capability r/w Record diagnostic reference tests during initialization. <ul style="list-style-type: none"> <li>• Yes</li> <li>• [No]</li> </ul>

## Parameter lists

<b>AO TRD: INTERNAL_TEMP (96)</b>
Storage class D; read capability r
Current temperature inside the positioner
<b>AO TRD: INTERNAL_TEMP_MAX (98)</b>
Storage class D; read capability r
Highest temperature measured inside the positioner
<b>AO TRD: INTERNAL_TEMP_MIN (97)</b>
Storage class D; read capability r
Lowest temperature measured inside the positioner
<b>AO TRD: INTERNAL_TEMP_UNITS (99)</b>
Storage class S; read/write capability r/w; supported modes O/M/A
Unit of temperature inside the positioner [°C]
<b>AO TRD: KP_STEP (127)</b>
Storage class S; read/write capability r/w
Proportional-action coefficient Kp level → Code 17
Note: This parameter can only be read over FOUNDATION fieldbus. The value is recorded during initialization.
<b>AO TRD: LIMIT_VALUE_TIME_ANALYSIS (145)</b>
Storage class S; read/write capability r/w; supported modes O/M/A
Statistical information > Open/close: time limit for difference between reference value and currently recorded value
Determines at which value a message is generated.
<ul style="list-style-type: none"><li>• 0.0 to 30.0 s, [0.6 s]</li></ul>
<b>AO TRD: LIMIT_VALUE_TRAVEL_ANALYSIS (146)</b>
Storage class S; read/write capability r/w; supported modes O/M/A
Statistical information > Open/close: travel limit for difference between reference value and currently recorded value
Determines at which value a message is generated.
<ul style="list-style-type: none"><li>• 0.0 ... 100.0 %, [0.3 %]</li></ul>
<b>AO TRD: LOGGING_MGV (106)</b>
Storage class S; read/write capability r/w; supported modes O/M/A
Logging of the forced venting active (error control)
<ul style="list-style-type: none"><li>• [Yes]</li><li>• No</li></ul>

<b>AO TRD:</b>	<b>MIN_CLEARANCE_NEW_LOGGING_MGV (107)</b> Storage class S; read/write capability r/w; supported modes O/M/A Minimum time interval until logging of the forced venting restarts (error control)
<b>AO TRD:</b>	<b>MODE_BLK (5)</b> Storage class S; read/write capability r/w Operating mode <ul style="list-style-type: none"> <li>– Target Mode → Code 48 t0</li> <li>– Actual Mode (read only) → Code 48 t1</li> <li>– Permitted Mode</li> <li>– Normal Mode (read only)</li> </ul> <ul style="list-style-type: none"> <li>• AUTO · A positioning value is calculated from the output value received from the AO Function Block and the control valve is positioned accordingly.</li> <li>• O/S · The output value from the AO Function Block is not used. The control valve is moved to its mechanical fail-safe position entered in ACT_FAIL_ACTION. The mode is also changed to O/S when the forced venting function is activated.</li> <li>• MAN · The positioning value (FINAL_VALUE) can be entered manually (reading at the positioner:  and </li> <li>• LO · AO TRD switches to LO mode if the positioner is switched to the MAN mode on site.</li> </ul>
<b>AO TRD:</b>	<b>NO_OF_ZERO_POINT_ADJ (137)</b> Storage class D; read capability r Number of zero calibrations performed since the last initialization → Code 48 d3
<b>AO TRD:</b>	<b>OPTI_SUB_INIT (119)</b> Storage class S; read/write capability r/w; supported modes O/M/A Optimizes edges of substitute calibration <ul style="list-style-type: none"> <li>• ON</li> <li>• [OFF]</li> </ul>

### AO TRD: PCC (207)

Storage class S; read/write capability r/w; supported modes O/M/A

Cancellation conditions of the partial stroke test (PST)

- PST\_ACT\_X\_CONTROL · Activation of x cancellation condition
- PST\_X\_CONTROL\_VALUE · x control value
- PST\_ACT\_DELTA\_Y\_MONI · Activation of y cancellation condition
- PST\_DELTA\_Y\_MONI\_VAL · delta y-monitoring value
- PST\_TOL\_BAND\_CONTROL · Activate PST tolerance band monitoring
- PST\_TOL\_BAND · PST tolerance band

### AO TRD: PMD1 (209) to PMD3 (211)

Storage class D; read capability r

Measured data assessment of the partial stroke test (PST)

PMD1 (209) = Current test

PMD2 (210) = First measured data assessment saved

PMD3 (211) = Second measured data assessment saved

- PST\_TIME\_STAMP · Time stamp for this test
- PST\_OVERSHOOT\_RISING · Overshoot (rising)
- PST\_DEAD\_TIME\_RISING · Dead time (rising)
- PST\_T63\_RISING · T63 (rising)
- PST\_T98\_RISING · T98 (rising)
- PST\_RISE\_TI\_RISING · Rise time (rising)
- PST\_SETTL\_TI\_RISING · Settling time (rising)
- PST\_OVERSHOOT\_FALLING · Overshoot (falling)
- PST\_DEAD\_TI\_FALLING · Dead time (falling)
- PST\_T63\_FALLING · T63 (falling)
- PST\_T98\_FALLING · T98 (falling)
- PST\_RISE\_T\_FALLING · Rise time (falling)
- PST\_SETTL\_T\_FALLING · Settling time (falling)
- PST\_DELTA\_Y · delta y-monitoring (repetition value)

### AO TRD: POSITIONER\_MODEL (112)

Storage class D; read capability r

Positioner type



<b>AO TRD:</b>	<b>POS_ALERT_HI (24)</b> Storage class S; read/write capability r/w; supported modes O/M/A User-defined high limit which sets the high limit bit in WORKING_POS when the value is exceeded. • [100 %]
<b>AO TRD:</b>	<b>POS_ALERT_LO (25)</b> Storage class S; read/write capability r/w; supported modes O/M/A User-defined low limit which sets the low limit bit in WORKING_POS when the value falls below the limit. • [0 %]
<b>AO TRD:</b>	<b>POS_DEADBAND (70)</b> · This parameter is not supported.
<b>AO TRD:</b>	<b>POS_FEATURES (55)</b> Storage class D; read capability r Parameter groups supported by AO TRD
<b>AO TRD:</b>	<b>PRESSURE_LIMIT (125)</b> Storage class S; read/write capability r/w Pressure limit → Code 16 • [OFF] • 3.7 bar • 2.4 bar • 1.4 bar
<b>AO TRD:</b>	<b>PROTOKOLL_BSZ_START (141)</b> Storage class D; read capability r Display the time since first start-up (operating hours counter)
<b>AO TRD:</b>	<b>PST_AUTOSTART_READ (203)</b> Storage class D; read capability r; supported modes O/M/A Time until the next automatically performed partial stroke test (Auto PST)
<b>AO TRD:</b>	<b>PST_BREAKOUT_TIME (77)</b> Storage class N; read capability r Breakaway time determined during the last partial stroke test (PST)

<b>AO TRD: PST_BREAKOUT_TIMEOUT (78)</b>
Storage class S; read/write capability r/w; supported modes O/M/A Cancellation conditions of the partial stroke test (PST): maximum breakaway time
<b>AO TRD: PST_COMPLETION_TIMEOUT (85)</b>
Storage class S; read/write capability r/w; supported modes O/M/A Cancellation conditions of the partial stroke test (PST): maximum test duration (user-defined)
<b>AO TRD: PST_DIAGR_E1 (227) to PST_DIAGR_E4 (230)</b>
Storage class D; read capability r Statistical information > Data logger: Measured set point deviation (e)
<b>AO TRD: PST_DIAGR_TIME1 (215) to PST_DIAGR_TIME4 (218)</b>
Storage class D; read capability r Tests > Partial stroke test (PST): Measured time values
<b>AO TRD: PST_DIAGR_W1 (223) to PST_DIAGR_W4 (226)</b>
Storage class D; read capability r Statistical information > Data logger: Measured set point (w)
<b>AO TRD: PST_DIAGR_X1 (219) to PST_DIAGR_X4 (222)</b>
Storage class D; read capability r Statistical information > Data logger: Measured valve position (x)
<b>AO TRD: PST_DIAGR_Y1 (231) to PST_DIAGR_Y4 (234)</b>
Storage class D; read capability r Statistical information > Data logger: Measured drive signal (y)
<b>AO TRD: PST_DISPLAY (208)</b>
Storage class D; read capability r Information on the partial stroke test (PST) <ul style="list-style-type: none"> <li>• PST_PROGRESS_FLAG · Current progress of the test</li> <li>• PST_MIN_VALUE_Y_CONTROL · delta y-monitoring (repetition value)</li> <li>• PST_DELTA_Y_MONI_REF_VAL · delta y-monitoring reference value</li> <li>• PST_STATUS_PST · Status (successful/not successful)</li> <li>• PST_NUMBERS_OF_TESTS · Number of partial stroke tests performed</li> <li>• PST_RECOMMENDED_SCAN_RATE · Recommended min. scan rate</li> <li>• PST_DURATION_OF_TEST · Expected duration of test</li> <li>• PST_TESTMODE_ACTUAL · Current PST mode</li> </ul>

<b>AO TRD:</b>	<b>PST_INITIAL_START_TIME (79)</b> · This parameter is not supported.
<b>AO TRD:</b>	<b>PST_INTERVAL (80)</b> Storage class S; read/write capability r/w; supported modes O/M/A Time until the automatic partial stroke test starts (PST_TESTMODE_TARGET must be set to 'PST Auto')
<b>AO TRD:</b>	<b>PST_OPTIONS (81)</b> · This parameter is not supported.
<b>AO TRD:</b>	<b>PST_RAMP_RATE (82)</b> · This parameter is not supported.
<b>AO TRD:</b>	<b>PST_SETTINGS (206)</b> Storage class D; read/write capability r/w; supported modes O/M/A Settings of partial stroke test (PST) <ul style="list-style-type: none"> <li>• PST_STEP_START · Start value for step response</li> <li>• PST_STEP_END · End value for step response</li> <li>• PST_LIMIT_STEP_RESPONSE · Tolerance limit for step start/end values</li> <li>• PST_ACTIVATION_RAMP_FUNCTION · Activate ramp function</li> <li>• PST_RAMP_TIME_RISING · Ramp time (rising)</li> <li>• PST_RAMP_TIME_FALLING · Ramp time (falling)</li> <li>• PST_SETTLING_TIME_BEFORE_TEST · Settling time before starting test</li> <li>• PST_SCAN_RATE</li> <li>• PST_STEP_RESPONSE · Number of step responses</li> </ul>
<b>AO TRD:</b>	<b>PST_STRK_TRAV (83)</b> Storage class S; read capability r Step height during partial stroke test (PST)
<b>AO TRD:</b>	<b>PST_STRK_TRAV_TIMEOUT (84)</b> Storage class S; read/write capability r/w; supported modes O/M/A Cancellation conditions of the partial stroke test (PST): Perm. time until step end
<b>AO TRD:</b>	<b>PST_TESTMODE_TARGET (202)</b> Storage class D; read/write capability r/w; supported modes O/M/A Target PST testing mode <ul style="list-style-type: none"> <li>• [PST Man]</li> <li>• PST Auto</li> </ul>

**AO TRD: PST\_TEST\_INFO (204)**

Storage class D; read capability r

Current status of the partial stroke test (PST)

**AO TRD: PST\_TEST\_STAT1 (212) to PST\_TEST\_STAT3 (214)**

Storage class D; read capability r

Status of the partial stroke test (PST)

PST\_TEST\_STAT1 (212) = Current test

PST\_TEST\_STAT2 (213) = First saved status

PST\_TEST\_STAT3 (214) = Second saved status

- PST\_TEST\_START
- PST\_NO\_TEST\_AVAILABLE · No test available
- PST\_X\_CANCEL · x cancellation
- PST\_Y\_CANCEL · y cancellation
- PST\_TOL\_BAND\_EXCEEDED
- PST\_MAX\_TIME\_EXCEEDED · Max. test duration exceeded
- PST\_TEST\_MANUA\_CANCEL · Test canceled manually
- PST\_OUT\_OF\_MEMORY · Measured data memory full
- PST\_ABO\_INT\_SOL\_VALVE · Canceled due to internal solenoid valve/forced venting
- PST\_PRESSURE\_FRICTION · Canceled due to supply air/friction
- PST\_W\_STEP\_TOO\_HIGH · Set point difference, step start too high
- PST\_ABORT\_REF\_CHANGED · Test canceled, set point too high
- PST\_CURRENT\_TOO\_LOW · Test canceled, insufficient current

**AO TRD: RATED\_TRAVEL (26)**

Storage class S; read/write capability r/w

Nominal range → Code 5

- 0 to 255.9 mm, [15.0 mm]

Note: The unit [mm] or [degrees] depends on the VALVE\_TYPE parameter.

**AO TRD: READBACK\_SELECT (35)**

Storage class S; read/write capability r/w

Select current or actual valve position for the READBACK parameter

- [FINAL\_POSITION\_VALUE]
- WORKING\_POS

<b>AO TRD:</b>	<b>REFLAUF_VOLLST (177)</b> Storage class D; read capability r Reference tests completed.
<b>AO TRD:</b>	<b>RESET_STATUS_MESSAGE_DIAG (134)</b> Storage class D; read/write capability r/w Select reset command <ul style="list-style-type: none"> <li>• Single error message</li> <li>• Trends, histograms, test diagrams</li> <li>• PST/FST parameters and measured values</li> <li>• Logging</li> <li>• All recorded diagnostic data (except for reference graphs and logging)</li> </ul>
<b>AO TRD:</b>	<b>SELECT_EMERGENCY_MODE (126)</b> Storage class S; read/write capability r/w Behavior upon failure/defective travel sensor <ul style="list-style-type: none"> <li>• Open-loop control based on saved characteristic</li> <li>• Move to defined fail-safe position</li> </ul>
<b>AO TRD:</b>	<b>SELO (109)</b> Storage class S; read/write capability r/w; supported modes O/M/A Display/change installed options that are not automatically detected (IDENT_LIMIT_SWITCHES, IDENT_EXT_LEAKAGE_SENSOR, IDENT LEAKAGE DETECTION, IDENT_EXT_POS_SENSOR)
<b>AO TRD:</b>	<b>SET_FAIL_SAFE_POS (114)</b> Storage class S; read/write capability r/w Set fail-safe position <ul style="list-style-type: none"> <li>• NOT ACTIVE</li> <li>• SET FAIL-SAFE POSITION</li> <li>• CLEAR FAIL-SAFE POSITION</li> </ul> Note: The fail-safe position is indicated on the positioner display by a blinking 'S'.
<b>AO TRD:</b>	<b>SIGNAL_ACTION (34)</b> Storage class S; read/write capability r/w; supported modes O/M/A Direction of action of the set point w in relation to the travel/angle x → Code 7

**AO TRD: SKR (192)**

Storage class D; read capability r

Tests > Static characteristic: display

- STAT\_KENNL\_R\_TEST\_INFO · Current status of the test
- STAT\_KENNL\_R\_STEP\_HEIGHT · Step height
- STAT\_KENNL\_R\_MIN\_DEAD\_BAND · Smallest dead band measured
- STAT\_KENNL\_R\_AVERAGE\_DEAD\_BAND · Average dead band measured
- STAT\_KENNL\_R\_MAX\_DEAD\_BAND · Largest dead band measured
- STAT\_KENNL\_R\_PROGRESS\_FLAG · Current progress of the test

**AO TRD: SKW (193)**

Storage class S; read/write capability r/w

Tests > Static characteristic: enter values

- STAT\_KENNL\_W\_START\_VALUE · Start value of valve position x
- STAT\_KENNL\_W\_END\_VALUE · End value of valve position x
- STAT\_KENNL\_W\_DELAY\_TIME · Delay time after step
- STAT\_KENNL\_W\_TURN\_BACK\_VALUES · Number of measured values recorded before changing the testing direction

**AO TRD: SSAF (133)**

Storage class D; read/write capability r/w

Execute/end various EXPERTplus tests

- Reference tests (d1, d2)
- Data logger
- Tests (d1 to d6 and d9)

**AO TRD: STOP\_HI (27)**

Storage class S; read/write capability r/w; supported modes O/M/A

Travel/angle upper limit → Code 11

- 50 ... 120 %, [100 %]

**Note:** The characteristic is not adapted. The tight-closing function has priority.

**AO TRD: STOP\_LO (28)**

Storage class S; read/write capability r/w; supported modes O/M/A

Travel/angle lower limit → Code 10

- 0.0 ... 49.9 %, [0.0 %]

**Note:** The characteristic is not adapted. The tight-closing function has priority.

<b>AO TRD:</b>	<b>STOP_HI_POS_ON (130)</b> Storage class S; read/write capability r/w; supported modes O/M/A Enable travel/angle upper limit → Code 11 <ul style="list-style-type: none"> <li>• [ON]</li> <li>• OFF</li> </ul>
<b>AO TRD:</b>	<b>STOP_LO_POS_ON (129)</b> Storage class S; read/write capability r/w; supported modes O/M/A Enable travel/angle lower limit → Code 10 <ul style="list-style-type: none"> <li>• ON</li> <li>• [OFF]</li> </ul>
<b>AO TRD:</b>	<b>STRATEGY (3)</b> Storage class S; read/write capability r/w Permits strategic grouping and thus faster processing of blocks <ul style="list-style-type: none"> <li>• [0]</li> </ul> Blocks are grouped by entering the same number in the STRATEGY parameter of each block. <b>Note:</b> These data are neither checked nor processed by the AO Transducer Block.
<b>AO TRD:</b>	<b>STROKE_TIME_CLOSED (71)</b> Storage class S; read capability r Minimum transit time CLOSED → Code 41 Time [s] required by the system (positioner, actuator and valve) to move through the rated travel/angle in the direction to close the valve (0 % position) The value is measured during initialization.
<b>AO TRD:</b>	<b>STROKE_TIME_CLOS_LIM (92)</b> Storage class S; read/write capability r/w Required transit time CLOSED → Code 22 Time required to move through the operating range when the valve closes.
<b>AO TRD:</b>	<b>STROKE_TIME_OPEN (72)</b> Storage class S; read capability r Minimum transit time OPEN → Code 40 Time [s] required by the system (positioner, actuator and valve) to move through the rated travel/angle in the direction to open the valve (100 % position) The value is measured during initialization.

<b>AO TRD: STROKE_TIME_OPEN_LIM (93)</b>
Storage class S; read/write capability r/w
Required transit time OPEN → Code 21
Time required to move through the operating range when the valve opens.
<b>AO TRD: STR_DEVICE_CHARACTERISTIC (113)</b>
Storage class S; read/write capability r/w; supported modes O/M/A
Specific positioner data
<ul style="list-style-type: none"> <li>• MODEL · Actuator type</li> <li>• ATTACHMENT (actuator)</li> <li>• BOOSTER · Volume booster (actuator)</li> <li>• ACTUATOR_SIZE · Effective actuator area</li> <li>• SIGNAL_PRESSURE_LOWER_VALUE (actuator)</li> <li>• SIGNAL_PRESSURE_UPPER_VALUE (actuator)</li> <li>• SUPPLY_PRESSURE</li> <li>• FLOW_DIRECTION1 (valve)</li> <li>• STUFFING_BOX · Packing (valve)</li> <li>• CYCLE_CNTR_LIM1 SEALING_EDGE · Leakage class (valve)</li> <li>• PRESSURE_BALANCING (valve)</li> <li>• FLOW_CHARACTERISTIC (valve)</li> <li>• NOM_DIAMETER · Size standard (valve)</li> <li>• NOM_DIAMETER_DN (valve)</li> <li>• KVS_VALUE · KVS coefficient (valve)</li> <li>• KVS_UNIT</li> <li>• SEAT_DIAM_VALVE · Seat bore diameter (valve)</li> <li>• LENGTH_UNITS</li> <li>• PRESSURE_UNIT</li> </ul>
<b>AO TRD: ST_REV (1)</b>
Storage class S; read capability r
Static revision number
<b>Note:</b> The revision number is incremented with each change of a static parameter in the block.
<b>AO TRD: SUB_MOD_INIT (118)</b>
Storage class D; read capability r
Indicates whether the initialization was performed in SUB mode (substitute calibration).



<b>AO TRD:</b>	<b>TAG_DESC (2)</b> Storage class S; read/write capability r/w User-specific text for unique identification and assignment of the block • Max. 32 characters, [no text]
<b>AO TRD:</b>	<b>THRESHOLD_END_POS_RECORDING (207)</b> Storage class D; read/write capability r/w Statistical information > Trend of travel end position Recording threshold
<b>AO TRD:</b>	<b>TRANSDUCER_DIRECTORY (9)</b> · This parameter is not supported.
<b>AO TRD:</b>	<b>TRANSDUCER_STATE (102)</b> Storage class D; read capability r State of the Transducer Block → Code 48 t2 11 See operating mode 12 Solenoid valve active · Forced venting active 13 Lower travel limit active 14 Upper travel limit active 15 End position < active · Tight-closing of the valve 16 End position > active · Maximum open position of the valve 17 Fail-safe position active 18 Normal operation
<b>AO TRD:</b>	<b>TRANSDUCER_TYPE (10)</b> Storage class D; read capability r Indicates the type of transducer. "Standard Advanced Positioner Valve" in this case.
<b>AO TRD:</b>	<b>TRANSDUCER_TYPE_VER (11)</b> Storage class D; read capability r Transducer Block for positioner according to Specification FF-906
<b>AO TRD:</b>	<b>TRANSM_PIN_POS (115)</b> Storage class S; read/write capability r/w Pin position → Code 4
<b>AO TRD:</b>	<b>TRAVEL_ACCUM (29)</b> Storage class D; read capability r Total valve travel: totaled double valve travel → Code 23

## Parameter lists

<b>AO TRD:</b>	<b>TRAVEL_ACCUM_DEADBAND (73)</b> · This parameter is not supported.
<b>AO TRD:</b>	<b>TRAVEL_ACCUM_LIM (94)</b> · This parameter is not supported.
<b>AO TRD:</b>	<b>TRAVEL_ACCUM_UNITS (95)</b> · This parameter is not supported.
<b>AO TRD:</b>	<b>TRAVEL_UNITS (30)</b> Storage class S; read/write capability r/w; supported modes O/M/A Unit of valve travel according to Table TN-016 • [%] or [°], in the event that the positioner is not initialized
<b>AO TRD:</b>	<b>TRIP_TIMEOUT (74)</b> · This parameter is not supported.
<b>AO TRD:</b>	<b>TV_STEP (128)</b> Storage class S; read/write capability r/w Derivative-action time TV (step) → Code 18 Note: This parameter can only be read over FOUNDATION fieldbus. The value is recorded during initialization.
<b>AO TRD:</b>	<b>UPDATE_EVT (7)</b> Storage class D; read/write capability r/w Indicates whether static data have been changed, including date and time stamp.
<b>AO TRD:</b>	<b>VALVE_MAN_ID (42)</b> Storage class S; read/write capability r/w; supported modes O/M/A Manufacturer of the valve on which the positioner is mounted.
<b>AO TRD:</b>	<b>VALVE_MODEL_NUM (43)</b> Storage class S; read/write capability r/w; supported modes O/M/A Model of the valve on which the positioner is mounted.
<b>AO TRD:</b>	<b>VALVE_SN (44)</b> Storage class S; read/write capability r/w; supported modes O/M/A Serial number of the valve on which the positioner is mounted.

<b>AO TRD:</b>	<b>VALVE_TYPE (45)</b> Storage class S; read/write capability r/w; supported modes O/M/A Type of valve -/- · Undefined (treated as a globe valve) • [LINEAR] · (control valves with straight moving plug, e.g. globe valves) • ROTARY (control valves with rotating closure members, e.g. part-turn, etc.) • OTHER · (treated as a globe valve) Note: The Type 3730-5 differentiates merely between linear and rotary valves, "UNINITIALIZED" and "OTHER" are treated as globe valves
<b>AO TRD:</b>	<b>VST_COMMAND (56)</b> Storage class D; read/write capability r/w; supported modes M/A Start/abort the partial stroke test (PST)/full stroke test (FST)
<b>AO TRD:</b>	<b>VST_DETAILED_RESULT (60)</b> · This parameter is not supported.
<b>AO TRD:</b>	<b>VST_MODE (57)</b> Storage class S; read/write capability r/w; supported modes O/M/A VST (Valve Stroke Test) to be performed • Deactivated • [PST (partial stroke test)] • FST (full stroke test)
<b>AO TRD:</b>	<b>VST_PAUSE (58)</b> Storage class S; read/write capability r/w; supported modes O/M/A Waiting time after the first step until the second step starts • 0.1 ... 240.0 s, [2.0 s]
<b>AO TRD:</b>	<b>VST_RESULT (59)</b> Storage class N; read capability r Indicates that the result of the last PST/FST (successful/not successful)
<b>AO TRD:</b>	<b>WORKING_POS (19)</b> Storage class D; read capability r Actual valve position in %
<b>AO TRD:</b>	<b>WORKING_POS_D (51)</b> Storage class D; read capability r Actual discrete valve position

<p><b>AO TRD: WORKING_SP (20)</b> Storage class N; read capability r</p> <p>Set point after scaling, characterization and the end position function Corresponds to the set point of the control algorithm for the AO Function Block in 'Control valve' mode.</p>
<p><b>AO TRD: WORKING_SP_D (52)</b> Storage class N; read capability r</p> <p>Discrete set point after taking the direction of action into account Corresponds to the set point of the control algorithm for the DO Function Block in 'Open/Close' mode.</p>
<p><b>AO TRD: XD_CAL_DATE (47)</b> Storage class S; read/write capability r/w; supported modes O/M/A</p> <p>Time of last calibration</p>
<p><b>AO TRD: XD_CAL_LOC (46)</b> Storage class S; read/write capability r/w; supported modes O/M/A</p> <p>Place of last calibration</p>
<p><b>AO TRD: XD_CAL_WHO (48)</b> Storage class S; read/write capability r/w; supported modes O/M/A</p> <p>Person who performed last calibration</p>
<p><b>AO TRD: XD_COMMAND (36)</b> Storage class D; read/write capability r/w</p> <p>Parameters to start device-specific procedures</p> <ul style="list-style-type: none"> <li>• No test, normal operation</li> <li>• Start with default values</li> <li>• Start initialization</li> <li>• Abort initialization</li> <li>• Start zero point adjustment</li> <li>• Abort zero point adjustment</li> <li>• Search device</li> </ul>
<p><b>AO TRD: XD_COMMAND_FLAGS (75)</b> · This parameter is not supported.</p>

**AO TRD: XD\_COMMAND\_STATE (37)**  
 Storage class D; read capability r  
 Initialization status

**AO TRD: XD\_ERROR (12)**  
 Storage class D; read capability r  
 Error listed in the AO Transducer Block

- NONE (0) · No error
- UNSPECIFIED ERROR · Unspecified (device not initialized, initialization or zero calibration in progress or total valve travel exceeded)
- GENERAL ERROR · General device error
- CALIBRATION ERROR · Zero point, internal control loop or initialization error, reference test canceled → Code 81
- CONFIGURATION ERROR · Parameter or characteristic faulty
- ELECTRONICS FAILURE · i/p converter (Code 64), hardware (Code 65), bus connection
- MECHANICAL FAILURE
- DATA INTEGRITY ERROR · Check sum error
- ALGORITHM ERROR · Dynamic values outside range

### AO TRD: XD\_ERROR\_EXT (103)

Storage class D; read capability r

Extended errors listed in the AO Transducer Block

1 xd\_error\_ext\_1

- Device not initialized
- Int. solenoid valve active
- Tot.valve travel limit exc.
- Control loop → Code 57
- Zero point → Code 58
- Autocorrection → Code 59
- Fatal error → Code 60
- Extended diagnosis → Code 79
- $x >$  range → Code 50
- $\Delta x <$  range → Code 51
- Attachment → Code 52
- Init. time exceeded → Code 53
- Init./int. solenoid valve → Code 54
- Travel time too short → Code 55
- Pin position/safety switch → Code 56
- Test or calibration running

2 xd\_error\_ext\_2

- x-signal → Code 62
- i/p-converter → Code 64
- Hardware → Code 65
- Control parameter → Code 68
- Poti parameter → Code 69
- Adjustment parameter → Code 70
- General parameter → Code 71
- Internal device error 1 → Code 73
- No emergency mode → Code 76
- Program load error → Code 77
- Options parameter → Code 78
- Info parameter → Code 75
- Data memory → Code 66
- Control calculation → Code 67
- Reference test aborted → Code 81

- 3 xd\_error\_ext\_3
  - Reset comm. controller
  - Attachment unit disturbed
  - Bin 2 deactivated
  - Reset appl. controller
  - FF parameter
  - Mode unequal AUTO
  - Temperature exceeding
- 14 Air Supply
- 15 Actuator Spring
- 16 Shifting Working Range
- 17 Friction
- 18 Leakage Pneumatic
- 19 Limit Working Range
- 20 Inner Leakage
- 21 External Leakage
- 22 Observing End Position
- 23 Connection Positioner Valve
- 24 Working Range
- 25 Temperature Error
- 26 PST/FST Status
- 27 OpenClose Status

**AO TRD: XD\_FSTATE\_OPT (32)**

Storage class S; read/write capability r/w; supported modes O/M/A

Action on fault detection in AO TRD

- [Hold last value]
- Fail-safe position
- Fault state value (XD\_FSTATE\_VAL)

**AO TRD: XD\_FSTATE\_VAL (31)**

Storage class S; read/write capability r/w; supported modes O/M/A

Fault state value to which the valve moves when the AO Transducer Block is in the O/S mode and the action on fault detection has been selected in the XD\_OOS\_OPTS parameter.

- 0 ... 100 %, [0 %]

<p><b>AO TRD: XD_FSTATE_VAL_D (53)</b></p> <p>Storage class S; read/write capability r/w; supported modes O/M/A</p> <p>Discrete fault state value to which the valve moves when the AO Transducer Block is in the O/S mode and the action on fault detection has been selected in the XD_OOS_OPTS parameter.</p> <ul style="list-style-type: none"> <li>• [0], 10 - 0 %1 - 100 %</li> </ul>
<p><b>AO TRD: XD_OOS_OPT (54)</b></p> <p>Storage class S; read/write capability r/w; supported modes O/M/A</p> <p>Action when the AO Transducer Block is in the O/S mode</p> <ul style="list-style-type: none"> <li>• [Hold last value]</li> <li>• Fail-safe position</li> <li>• Fault state value (XD_FSTATE_VAL)</li> </ul>
<p><b>AO TRD: Y_HYST_MIN_TIME_DISTANCE (160)</b></p> <p>Storage class S; read/write capability r/w; supported modes O/M/A</p> <p>Statistical information &gt; Drive signal diagram &gt; Hysteresis</p> <p>Time until test (d5) is repeated</p> <ul style="list-style-type: none"> <li>• 0 to 24 h, [1 h]</li> </ul>
<p><b>AO TRD: Y_HYST_TESTINFO (162)</b></p> <p>Storage class D; read capability r</p> <p>Statistical information &gt; Drive signal diagram hysteresis (d5 test): test status</p>
<p><b>AO TRD: Y_HYST_TEST_INFO (186)</b></p> <p>Storage class D; read capability r</p> <p>Tests &gt; Drive signal diagram hysteresis (d2 test): test status</p>
<p><b>AO TRD: Y_HYST_TEST_PROGRESS (187)</b></p> <p>Storage class D; read capability r</p> <p>Tests &gt; Drive signal diagram hysteresis (d2 test): progress of test in %</p>
<p><b>AO TRD: Y_HYST_TEST_TIME_STAMP (185)</b></p> <p>Storage class D; read capability r</p> <p>Tests &gt; Drive signal diagram hysteresis (d2 test): time stamp for reference value recording</p>
<p><b>AO TRD: Y_HYST_TOLERANCE_BAND (161)</b></p> <p>Storage class D; read/write capability r/w; supported modes O/M/A</p> <p>Statistical information &gt; Drive signal diagram &gt; Hysteresis</p> <p>Tolerance band of test (d5) (the test is canceled when the value leaves the tolerance band)</p>



<b>AO TRD: Y_STAT_TEST_INFO (179)</b> Storage class D; read capability r Tests > Drive signal diagram steady (d1 test) Current test status
<b>AO TRD: Y_STAT_TEST_PROGRESS (180)</b> Storage class D; read capability r Tests > Drive signal diagram steady (d1 test) Current test progress
<b>AO TRD: Y_STAT_TEST_TIME_STAMP (178)</b> Storage class D; read capability r Tests > Drive signal diagram steady (d1 test) Time stamp for reference value recording

### Index and parameter assignment: AO TRD

Index	Parameters
1	ST_REV
2	TAG_DESC
3	STRATEGY
4	ALERT_KEY
5	MODE_BLK
6	BLOCK_ERR
7	UPDATE_EVT
8	BLOCK_ALM
9	TRANSDUCER_DIRECTORY
10	TRANSDUCER_TYPE
11	TRANSDUCER_TYPE_VER
12	XD_ERROR
14	FINAL_VALUE
15	FINAL_VALUE_RANGE
16	FINAL_VALUE_CUTOFF_HI
17	FINAL_VALUE_CUTOFF_LO
18	FINAL_POSITION_VALUE

Index	Parameters
19	WORKING_POS
20	WORKING_SP
21	DEVIATION_DEADBAND
22	DEVIATION_TIME
23	DEVIATION_VALUE
24	POS_ALERT_HI
25	POS_ALERT_LO
26	RATED_TRAVEL
27	STOP_HI
28	STOP_LO
29	TRAVEL_ACCUM
30	TRAVEL_UNITS
31	XD_FSTATE_VAL
32	XD_FSTATE_OPT
33	CYCLE_CNTR
34	SIGNAL_ACTION
35	READBACK_SELECT

## Parameter lists

Index	Parameters
36	XD_COMMAND
37	XD_COMMAND_STATE
38	ACT_FAIL_ACTION
39	ACT_MAN_ID
40	ACT_MODEL_NUM
41	ACT_SN
42	VALVE_MAN_ID
43	VALVE_MODEL_NUM
44	VALVE_SN
45	VALVE_TYPE
46	XD_CAL_LOC
47	XD_CAL_DATE
48	XD_CAL_WHO
49	FINAL_VALUE_D
50	FINAL_POSITION_VALUE_D
51	WORKING_POS_D
52	WORKING_SP_D
53	XD_FSTATE_VAL_D
54	XD_OOS_OPT
55	POS_FEATURES
56	VST_COMMAND
57	VST_MODE
58	VST_PAUSE
59	VST_RESULT
60	VST_DETAILED_RESULT
61	CLOSED_POS_DEADBAND
62	CLOSED_POS_SHIFT
63	CUSTOM_CURVE_DESCRIPTION
65	CUSTOM_CURVE_XY_FLOAT
67	FRICTION_UNITS
68	FRICTION
69	HYSTERESIS

Index	Parameters
70	POS_DEADBAND
71	STROKE_TIME_CLOSED
72	STROKE_TIME_OPEN
73	TRAVEL_ACCUM_DEADBAND
74	TRIP_TIMEOUT
75	XD_COMMAND_FLAGS
76	CYCLE_CNTR_LIM
77	PST_BREAKOUT_TIME
78	PST_BREAKOUT_TIMEOUT
79	PST_INITIAL_START_TIME
80	PST_INTERVAL
81	PST_OPTIONS
82	PST_RAMP_RATE
83	PST_STRK_TRAV
84	PST_STRK_TRAV_TIMEOUT
85	PST_COMPLETION_TIMEOUT
86	FST_BREAKOUT_TIME
87	FST_BREAKOUT_TIMEOUT
88	FST_RAMP_RATE
89	FST_STRK_TRAV_TIMEOUT
90	FST_COMPLETION_TIMEOUT
91	CHARACTERIZATION
92	STROKE_TIME_CLOS_LIM
93	STROKE_TIME_OPEN_LIM
94	TRAVEL_ACCUM_LIM
95	TRAVEL_ACCUM_UNITS
96	INTERNAL_TEMP
97	INTERNAL_TEMP_MIN
98	INTERNAL_TEMP_MAX
99	INTERNAL_TEMP_UNITS
101	ALARM_OPTION
102	TRANSDUCER_STATE

Index	Parameters
103	XD_ERROR_EXT
104	DEVIATION_MIN
105	DEVIATION_MAX
106	LOGGING_MGV
107	MIN_CLEARANCE_NEW_ LOGGING_MGV
108	IDENT_OPTIONS
109	SELO
110	CONFIG_BINARY_INPUT_2
111	BINARY_INPUT_2
112	POSITIONER_MODEL
113	STR_DEVICE_CHARACTERISTIC
114	SET_FAIL_SAFE_POS
115	TRANSM_PIN_POS
116	INIT_METHOD
117	INIT_WITH_REF_TEST
118	SUB_MOD_INIT
119	OPTI_SUB_INIT
120	DEVICE_INIT_STATE
121	DEVICE_STATUS_INIT
121	CLOSING_DIRECTION
122	FINAL_VALUE_CUTOFF_LO_ON
123	FINAL_VALUE_CUTOFF_HI_ON
124	BLOCKING_POSITION
125	PRESSURE_LIMIT
126	SELECT_EMERGENCY_MODE
127	KP_STEP
128	TV_STEP
129	STOP_LO_POS_ON
131	FINAL_POSITION_VALUE_LIMITS
132	DIAG_LEVEL
133	SSAF

Index	Parameters
134	RESET_STATUS_MESSAGE_DIAG
135	HIST
136	EHM
137	NO_OF_ZERO_POINT_ADJ
138	COUNTER_INIT_START
139	EVENT_LOGGING_1
140	EVENT_LOGGING_2
141	PROTOKOLL_BSZ_START
142	DIAG_RESET_AFTER_TIME
143	DIAG_RESET_AFTER_TIMEOUT
144	APPLICATION_TYPE_OC_CONTROL
145	LIMIT_VALUE_TIME_ANALYSIS
146	LIMIT_VALUE_TRAVEL_ANALYSIS
147	ANALYSIS_OPEN_CLOSE
148	HXL
149	HISTOGR_X_SHORT
150	HISTOGR_X_SCAN_RATE
156	DSYSL
157	DSYSK
158	DSYSS
159	DVPSS
160	Y_HYST_MIN_TIME_DISTANCE
161	Y_HYST_TOLERANCE_BAND
162	Y_HYST_TESTINFO
163	HYST_SHORT_DIFF_Y
164	HYST_VALVE_POS
166	END_POS_TREND_REF_VALUES_REF
167	END_POS_TREND_REF_TIME_REF
168	END_POS_TREND_REF_DRIVE_SIG_ REF
169	EPTRV

## Parameter lists

Index	Parameters
170	EPTRT
171	EPTRDS
173	DEPTXE
174	DEPTXR
175	AUTOMATIC_TEST_STATUS
176	DIAG_REFLAUF_INFO
177	REFLAUF_VOLLST
178	Y_STAT_TEST_TIME_STAMP
179	Y_STAT_TEST_INFO
180	Y_STAT_TEST_PROGRESS
181	DSYSTR
182	DSXSTR
183	DSYSTW
184	DSXSTW
185	Y_HYST_TEST_TIME_STAMP
186	Y_HYST_TEST_INFO
187	Y_HYST_TEST_PROGRESS
189	DSYHTR
190	DSYHTW
191	DSXHTW
192	SKR
193	SKW
194	DSKV1
195	DSKV2
196	DSKV3
197	DSKV4
198	DSKW1
199	DSKW2
200	DSKW3
201	DSKW4
202	PST_TESTMODE_TARGET
203	PST_AUTOSTART_READ

Index	Parameters
204	PST_TEST_INFO
206	PST_SETTINGS
207	PCC
207	THRESHOLD_END_POS_RECORDING
208	PST_DISPLAY
209	PMD1
210	PMD2
211	PMD3
212	PST_TEST_STAT1
213	PST_TEST_STAT2
214	PST_TEST_STAT3
215	PST_DIAGR_TIME1
216	PST_DIAGR_TIME2
217	PST_DIAGR_TIME3
218	PST_DIAGR_TIME4
219	PST_DIAGR_X1
220	PST_DIAGR_X2
221	PST_DIAGR_X3
222	PST_DIAGR_X4
223	PST_DIAGR_W1
224	PST_DIAGR_W2
225	PST_DIAGR_W3
226	PST_DIAGR_W4
227	PST_DIAGR_E1
228	PST_DIAGR_E2
229	PST_DIAGR_E3
230	PST_DIAGR_E4
231	PST_DIAGR_Y1
232	PST_DIAGR_Y2
233	PST_DIAGR_Y3
234	PST_DIAGR_Y4
235	FST_TEST_INFO

Index	Parameters
237	FST_SETTINGS
238	FST_DISPLAY
239	FST_MEAS_DATA1
240	FST_MEAS_DATA2
241	FST_MEAS_DATA3
245	FST_DIAGR_TIME1
246	FST_DIAGR_TIME2
247	FST_DIAGR_TIME3
248	FST_DIAGR_TIME4
249	FST_DIAGR_X1
250	FST_DIAGR_X2
251	FST_DIAGR_X3
252	FST_DIAGR_X4
253	FST_DIAGR_W1
254	FST_DIAGR_W2

Index	Parameters
255	FST_DIAGR_W3
256	FST_DIAGR_W4
257	FST_DIAGR_E1
258	FST_DIAGR_E2
259	FST_DIAGR_E3
260	FST_DIAGR_E4
261	FST_DIAGR_Y1
262	FST_DIAGR_Y2
263	FST_DIAGR_Y3
264	FST_DIAGR_Y4
265	FRICTION_LIMITS
274	FST_TEST_STAT1
275	FST_TEST_STAT2
276	FST_TEST_STAT3

### 9.3 Analog Output Function Block (AO FB)

<b>AO FB:</b>	<b>ALERT_KEY (4)</b> Storage class S; read/write capability r/w; supported modes O/M/A ID number of the plant section <ul style="list-style-type: none"> <li>• 1 to 255, [0]</li> </ul> May be used by the fieldbus host system to sort alarms and events. <b>Note:</b> '0' is not permissible and will be rejected when transferring data to the device (error alarm).
<b>AO FB:</b>	<b>BKCAL_OUT (25)</b> Storage class D; read capability r Analog output value for upstream block (value and status) BKCAL_OUT is passed on to the BKCAL_IN parameter of the upstream function block for cascade control. It prevents integral windup of the controller and thus allows for bumpless switching between operating modes.
<b>AO FB:</b>	<b>BLOCK_ALM (30)</b> Storage class D; read capability r Current block state with details on all configuration, hardware or system problems in the block including date and time stamp.
<b>AO FB:</b>	<b>BLOCK_ERR (6)</b> Storage class D; read capability r Active block error → Code 48 A8 <ul style="list-style-type: none"> <li>• OUT OF SERVICE</li> <li>• CONFIGURATION_ERROR</li> <li>• INPUT FAILURE PV · Position feedback has bad status e.g. because the Transducer Block is in the O/S mode.</li> <li>• OUTPUT FAILURE · OUT value cannot be issued, e.g. because the Transducer Block is not initialized or in the LO mode.</li> </ul>
<b>AO FB:</b>	<b>CAS_IN (17)</b> Storage class N; read/write capability r/w; supported modes ALL Analog set point, adopted from an upstream function block (value and status) → Code 48 A2/A3

<b>AO FB:</b>	<b>CHANNEL (22)</b> Storage class S; read/write capability r/w; supported modes O Assignment of the output of AO Function Block and the logical hardware channels (Transducer Block). <ul style="list-style-type: none"> <li>• [3]</li> </ul> <b>Note:</b> Set CHANNEL to 3 to start up the AO Function Block. This allows it to be assigned to AO TRD.
<b>AO FB:</b>	<b>FSTATE_TIME (23)</b> Storage class S; read/write capability r/w; supported modes ALL Fault state time [s] Time between an error in the set point valid for the AO Function Block in the current operating mode is detected and fault state is activated. <ul style="list-style-type: none"> <li>• [0]</li> </ul> <b>Note:</b> Fault state is activated if the error persists after this time has elapsed. The fault state of the AO Function Block is determined in the IO_OPTS parameter of this block.
<b>AO FB:</b>	<b>FSTATE_VAL (24)</b> Storage class S; read/write capability r/w; supported modes ALL Fail-state value for the AO Function Block when fail-safe action is triggered. <ul style="list-style-type: none"> <li>• Value and range from PV_SCALE <math>\pm 10\%</math>, [0]</li> </ul> <b>Note:</b> The value is used if the FAULT STATE TO VALUE option is selected in the IO_OPTS parameter.
<b>AO FB:</b>	<b>GRANT_DENY (13)</b> · This parameter is not supported.
<b>AO FB:</b>	<b>IO_OPTS (14)</b> Storage class S; read/write capability r/w; supported modes O Selects the input/output behavior of the AO Function Block. <ul style="list-style-type: none"> <li>• SP-PV TRACK IN MAN · SP tracks PV in MAN mode (Actual Mode)</li> <li>• SP-PV TRACK IN LO · SP tracks PV in LO mode (Actual Mode)</li> <li>• SP TRACK RETAINED TARGET · SP tracks RCAS_IN or CAS_IN depending on the preset target mode in LO or MAN mode (actual mode). This option has priority over SP-PV TRACK IN MAN/LO.</li> <li>• INCREASE TO CLOSE · Inverts the output value to the Transducer Block (corresponds to the direction of action)</li> </ul>

- **FAULT STATE TO VALUE** · FSTATE\_VAL is used as the set point when the fault state is activated (see FSTATE\_VAL, FSTATE\_TIME)
- **USE FAULT STATE VALUE ON RESTART** · FSTATE\_VAL is used as the set point on restart until a valid value has been entered.
- **TARGET TO MAN IF FAULT STATE ACTIVATED** · When fault state is activated, the target mode is set to MAN and the original target mode is lost. The block remains in MAN mode after fault state has been left until the user sets it to the desired operating mode.
- **USE PV FOR BKCAL\_OUT** · The PV process value is fed back at BKCAL\_OUT instead of the working process value. If the OUT READBACK option is activated in the FEATURES\_SEL Resource Block parameter, BKCAL\_OUT feeds back the current valve position.

**AO FB: MODE\_BLK (5)**

Storage class N; read/write capability r/w; supported modes ALL

Operating mode

- Target Mode → Code 48 A0
- Actual Mode (read only) → Code 48 A1
- Permitted Mode
- Normal Mode (read only)
- **O/S** · The AO Function Block is not executed. The last value or the value determined during an active fault processing is issued at the OUT parameter.
- **MAN** · The output value of the AO Function block can be entered manually by the operator over the OUT parameter.
- **AUTO** · The set point entered by the operator is used over the SP parameter upon execution of the AO Function Block.
- **CAS** · The AO Function Block receives the set point directly from an upstream function block over the CAS\_IN parameter for internal calculation of the out value. The AO Function Block is implemented.
- **RCAS** · The AO Function Block receives the set point directly from the fieldbus host system over the RCAS\_IN parameter for internal calculation of the out value. The AO Function Block is implemented.

**AO FB: OUT (9)**

Storage class N; read/write capability r/w; supported modes M/O

Out value of the AO Function Block (value, limit and status) → Code 48 A6/7

- Range of OUT\_SCALE ±10 %; unit of the XD\_SCALE parameter group

**Note:** The OUT value can be entered manually when the MAN mode is selected in the MODE\_BLK parameter.



<b>AO FB:</b>	<b>PV (7)</b> Storage class D; read capability r Process variable of the function block (value and status) • Unit of the XD_SCALE parameter group <b>Note:</b> If the OUT READBACK option is activated in the FEATURES_SEL resource block parameter, PV contains the current valve position (corresponding to FINAL_POSITION_VALUE).
<b>AO FB:</b>	<b>PV_SCALE (11)</b> Storage class S; read/write capability r/w; supported modes O Range of the process variable (PV) (start, end, unit and decimal point) • 0 to 100 %
<b>AO FB:</b>	<b>RCAS_IN (26)</b> Storage class N; read/write capability r/w; supported modes ALL Analog set point for internal calculation of the out value (value and status) The RCAS_IN value is provided by the fieldbus host system. <b>Note:</b> This parameter is only active in RCAS mode.
<b>AO FB:</b>	<b>RCAS_OUT (28)</b> Storage class D; read capability r Analog set point after applying the ramp function (value and status) The RCAS_OUT value is provided to the fieldbus host system to perform back-calculations in case of control mode changes or limited signals. <b>Note:</b> This parameter is only active in RCAS mode.
<b>AO FB:</b>	<b>READBACK (16)</b> Storage class D; read capability r Current valve position determined from the FINAL_POSITION_VALUE of the associated Transducer Block • Unit of the XD_SCALE parameter group

### AO FB: SHED\_OPT (27)

Storage class S; read/write capability r/w; supported modes ALL

Behavior upon exceeding the monitoring time (see SHED\_RCAS in the Resource Block)

Monitoring of the connection between fieldbus host system and AO Function Block in RCAS mode. When the monitoring time has elapsed, AO Function Block switches from the RCAS mode to the selected operating mode.

The action to be taken after the fault state ends is also determined.

- [UNINITIALIZED]
- NORMAL SHED\_NORMAL RETURN · On failure of remote connection, change to next possible mode until RCAS mode is restored.
- NORMAL SHED\_NO RETURN · On failure of remote connection, change to next possible mode. The block remains in this mode.
- SHED TO AUTO\_NORMAL RETURN · On failure of remote connection, change to AUTO mode until RCAS mode is restored.
- SHED TO AUTO\_NO RETURN · On failure of remote connection, change to AUTO mode. No attempt is made to restore the mode and the block remains in AUTO mode.
- SHED TO MANUAL\_NORMAL RETURN · On failure of remote connection, change to MAN mode until RCAS mode is restored.
- SHED TO MANUAL\_NO RETURN · On failure of remote connection, change to MAN mode. No attempt is made to restore the mode and the block remains in MAN mode.
- SHED TO RETAINED\_TARGET\_NORMAL RETURN · On failure of remote connection, the block attempts to attain the retained target mode until RCAS mode is restored.
- SHED TO RETAINED\_TARGET\_NO RETURN · On failure of remote connection, the block sets the target mode to the retained target mode.

**Note:** This parameter is only active in RCAS mode in the AO Function Block.

If the value is set to UNINITIALIZED, the AO Function Block cannot be placed in the RCAS mode.

### AO FB: SIMULATE (10)

Storage class D; read/write capability r/w; supported modes ALL

Simulation of the process variable PV of the block (value and status) → Code 48 F3

**Note:** During simulation, OUT is not transmitted to the Transducer Block; the block retains the last valid value received before simulation was activated.

The simulation can only be activated when SIMULATE\_ACTIVE is set in the BLOCK\_ERR parameter of the Resource Block.

<b>AO FB:</b>	<p><b>SP (8)</b> Storage class N; read/write capability r/w; supported modes O/M/A</p> <p>Set point w in AUTO mode → Code 48 A4/5</p> <ul style="list-style-type: none"> <li>Value and range from PV_SCALE ±10 %; unit of PV_SCALE</li> </ul>
<b>AO FB:</b>	<p><b>SP_HI_LIM (20)</b> Storage class S; read/write capability r/w; supported modes ALL</p> <p>Upper set point limit</p> <ul style="list-style-type: none"> <li>Value and range from PV_SCALE ±10 %, [100 %]</li> </ul> <p><b>Note:</b> Adapt this value accordingly if the end-of-scale value in the PV_SCALE parameter is changed.</p>
<b>AO FB:</b>	<p><b>SP_LO_LIM (21)</b> Storage class S; read/write capability r/w; supported modes ALL</p> <p>Lower set point limit</p> <ul style="list-style-type: none"> <li>Value and range from PV_SCALE ±10 %, [0 %]</li> </ul> <p><b>Note:</b> Adapt this value accordingly if the end-of-scale value in the PV_SCALE parameter is changed.</p>
<b>AO FB:</b>	<p><b>SP_RATE_DN (18)</b> Storage class S; read/write capability r/w; supported modes ALL</p> <p>Set point downward rate limit in AUTO mode</p> <ul style="list-style-type: none"> <li>[3402823466 × 10<sup>38</sup>]</li> </ul> <p><b>Note:</b> If '0' is entered, the set point is used. The speed limitation for output blocks is active in AUTO and CAS modes.</p>
<b>AO FB:</b>	<p><b>SP_RATE_UP (19)</b> Storage class S; read/write capability r/w; supported modes ALL</p> <p>Set point upward rate limit in AUTO mode</p> <ul style="list-style-type: none"> <li>[3402823466 × 10<sup>38</sup>]</li> </ul> <p><b>Note:</b> If '0' is entered, the set point is used. The speed limitation for output blocks is active in AUTO and CAS modes.</p>
<b>AO FB:</b>	<p><b>ST_REV (1)</b> Storage class N; read capability r</p> <p>Static revision number (AO Function Block)</p> <p><b>Note:</b> The revision number is incremented with each change of a static parameter in the block.</p>

<b>AO FB:</b>	<p><b>STATUS_OPTS (15)</b> Storage class S; read/write capability r/w; supported modes O</p> <p>Status options to determine status handling and processing</p> <ul style="list-style-type: none"> <li>• [UNINITIALIZED]</li> <li>• PROPAGATE FAULT BACKWARD · Status of the Transducer Block is passed on to the upstream block over the status of BKCAL_OUT.</li> </ul>
<b>AO FB:</b>	<p><b>STRATEGY (3)</b> Storage class S; read/write capability r/w; supported modes ALL</p> <p>Permits strategic grouping and thus faster processing of blocks</p> <ul style="list-style-type: none"> <li>• [0]</li> </ul> <p>Blocks are grouped by entering the same number in the STRATEGY parameter of each block.</p> <p><b>Note:</b> These data are neither checked nor processed by the AO Function Block.</p>
<b>AO FB:</b>	<p><b>TAG_DESC (2)</b> Storage class S; read/write capability r/w; supported modes ALL</p> <p>User-specific text for unique identification and assignment of the block</p> <ul style="list-style-type: none"> <li>• Max. 32 characters, [no text]</li> </ul>
<b>AO FB:</b>	<p><b>UPDATE_EVT (29)</b> Storage class D; read capability r</p> <p>Indicates whether static block data have been changed, including date and time stamp</p>
<b>AO FB:</b>	<p><b>XD_SCALE (12)</b> Storage class S; read/write capability r/w; supported modes O</p> <p>Range of the OUT value (start, end, unit and decimal point)</p> <ul style="list-style-type: none"> <li>• 0.0 to 100.0 %; specified in [%], [mm] or [degrees]</li> </ul> <p><b>Note:</b> When [%] is used, the OUT value is based on the scale of 100 %. In case of [mm] (with globe valves) or [degrees] (with rotary valves), the OUT value corresponds to the value set in the RATED_TRAVEL parameter in the Transducer Block which is scaled as 100 %.</p>

## Index and parameter assignment: AO Function Block

Index	Parameters
1	ST_REV
2	TAG_DESC
3	STRATEGY
4	ALERT_KEY
5	MODE_BLK
6	BLOCK_ERR
7	PV
8	SP
9	OUT
10	SIMULATE
11	PV_SCALE
12	XD_SCALE
13	GRANT_DENY
14	IO_OPTS
15	STATUS_OPTS

Index	Parameters
16	READBACK
17	CAS_IN
18	SP_RATE_DN
19	SP_RATE_UP
20	SP_HI_LIM
21	SP_LO_LIM
22	CHANNEL
23	FSTATE_TIME
24	FSTATE_VAL
25	BKCAL_OUT
26	RCAS_IN
27	SHED_OPT
28	RCAS_OUT
29	UPDATE_EVT
30	BLOCK_ALM

## 9.4 Analog Input Function Block (AI FB)

<b>AI FB:</b>	<b>ACK_OPTION (23)</b>
	Read/write capability r/w; supported modes ALL
	Automatic alarm acknowledgement (AI Function Block)
	<ul style="list-style-type: none"> <li>• [UNDEFINED] · No selection</li> <li>• HI_HI_ALM · High-high alarm</li> <li>• HI_ALM · High pre-alarm</li> <li>• LO_LO_ALM · Low-low alarm</li> <li>• LO_ALM · Low pre-alarm</li> <li>• DV_HI_ALM · Limit alarm for upper set point deviation</li> <li>• DV_LO_ALM · Limit alarm for lower set point deviation</li> <li>• BLOCK_ALM · Block alarm</li> </ul>
	<b>Note:</b> The alarm is broadcast to the fieldbus host system, but not acknowledged by it.
<b>AI FB:</b>	<b>ALARM_HYS (24)</b>
	Read/write capability r/w; supported modes ALL
	Hysteresis for the high and low alarm limits
	<ul style="list-style-type: none"> <li>• 0 to 50 %, [0.5 %]</li> </ul>
	The alarm conditions remain active as long as the measured value remains within the hysteresis. The hysteresis value has an effect on the following alarm limits of the PID Function Block:
	HI_HI_LIM; HI_LIM; LO_LO_LIM; LO_LIM; DV_HI_LIM; DV_LO_LIM
	<b>Note:</b> The hysteresis value is a percentage of the PV_SCALE range in the AI Function Block.
<b>AI FB:</b>	<b>ALARM_SUM (22)</b>
	Read capability r
	Current status of process alarms in the AI Function Block
	<ul style="list-style-type: none"> <li>• HI_HI_ALM · Violation of the high-high alarm</li> <li>• HI_ALM · Violation of the high pre-alarm</li> <li>• LO_LO_ALM · Violation of the low-low alarm</li> <li>• LO_ALM · Violation of the low pre-alarm</li> <li>• DV_HI_ALM · Violation of the limit alarm for upper set point deviation</li> <li>• DV_LO_ALM · Violation of the limit alarm for lower set point deviation</li> <li>• BLOCK_ALM · Block alarm</li> </ul>
	<b>Note:</b> The process alarms can also be deactivated in this parameter group.

<b>AI FB:</b>	<b>ALERT_KEY (4)</b> Read/write capability r/w; supported modes ALL ID number of the plant section • 1 to 255, [0] May be used by the fieldbus host system to sort alarms and events. <b>Note:</b> '0' is not permissible and will be rejected when transferring data to the device (error alarm).
<b>AI FB:</b>	<b>BLOCK_ALM (21)</b> Read capability r Current block state with details on all configuration, hardware or system problems in the block including date and time stamp.
<b>AI FB:</b>	<b>BLOCK_ERR (6)</b> Read capability r Active block error for AI Function Block • OUT OF SERVICE • CONFIGURATION_ERROR
<b>AI FB:</b>	<b>CHANNEL (15)</b> Storage class S; read/write capability r/w; supported modes O Assignment of the output of AI Function Block and the logical hardware channels (Transducer Block). • [2] <b>Note:</b> Set CHANNEL to 2 to start up the AI Function Block. This allows it to be assigned to AI TRD.
<b>AI FB:</b>	<b>FIELD_VAL (19)</b> Read capability r Measured value of the Transducer Block in the PV_SCALE unit
<b>AI FB:</b>	<b>GRANT_DENY (12)</b> · This parameter is not supported.
<b>AI FB:</b>	<b>HI_ALM (34)</b> Read capability r Alarm for the high pre-alarm limit (HI_LIM) including details on the date and time as well as the value at which the alarm is triggered. • Unit of PV_SCALE

<b>AI FB:</b>	<p><b>HI_HI_ALM (33)</b> Read capability r</p> <p>Alarm for the high-high alarm limit (HI_HI_LIM) including details on the date and time as well as the value at which the alarm is triggered.</p> <ul style="list-style-type: none"> <li>• Unit of PV_SCALE</li> </ul> <p><b>Note:</b> Additionally, the active alarm can be confirmed manually in this parameter group.</p>
<b>AI FB:</b>	<p><b>HI_HI_LIM (26)</b> Read/write capability r/w; supported modes ALL</p> <p>Upper alarm limit (HI_HI_ALM)</p> <ul style="list-style-type: none"> <li>• Range and unit of PV_SCALE</li> </ul> <p>If PV exceeds this limit, the alarm state parameter HI_HI_ALM is issued.</p>
<b>AI FB:</b>	<p><b>HI_HI_PRI (25)</b> Read/write capability r/w; supported modes ALL</p> <p>Behavior upon exceeding the high-high alarm limit HI_HI_LIM</p> <ul style="list-style-type: none"> <li>• [0] · The violation of the high-high alarm limit is not analyzed.</li> <li>• 1 · No notification upon violation of the high-high alarm limit</li> <li>• 2 · Reserved for block alarms</li> <li>• 3 to 7 · The violation of the high-high alarm limit is issued to notify the operator with the corresponding priority: (3 = low, 7 = high)</li> <li>• 8 to 15 · The violation of the high-high alarm limit is issued as a critical alarm with the corresponding priority: (8 = low, 15 = high)</li> </ul>
<b>AI FB:</b>	<p><b>HI_LIM (28)</b> Read/write capability r/w; supported modes ALL</p> <p>Alarm limit for the high pre-alarm HI_ALM</p> <ul style="list-style-type: none"> <li>• Range and unit of PV_SCALE, [3402823466 x 10<sup>38</sup>]</li> </ul> <p>If PV exceeds this limit, the alarm state parameter HI_ALM is issued.</p>



<b>AI FB:</b>	<b>HI_PRI (27)</b> Read/write capability r/w; supported modes ALL Behavior upon exceeding the high pre-alarm limit HI_LIM <ul style="list-style-type: none"> <li>• [0] · The violation of the high pre-alarm limit is not analyzed.</li> <li>• 1 · No notification upon violation of the high pre-alarm limit</li> <li>• 2 · Reserved for block alarms</li> <li>• 3 to 7 · The violation of the high pre-alarm limit is issued to notify the operator with the corresponding priority: (3 = low, 7 = high)</li> <li>• 8 to 15 · The violation of the high pre-alarm limit is issued as a critical alarm with the corresponding priority: (8 = low, 15 = high)</li> </ul>
<b>AI FB:</b>	<b>IO_OPTS (13)</b> Storage class S; read/write capability r/w; supported modes O LOW CUTOFF · The output is set to '0' at a value below LOW CUTOFF. UNITS CONVERSION · Channel value is converted into the XD_SCALE unit.
<b>AI FB:</b>	<b>L_TYPE (16)</b> Storage class S; read/write capability r/w; supported modes M/O Determines whether the measured values from the AI Function Block can be directly used (Direct), whether the value exist in different units and must be converted (Indirect) or whether the square root must be calculated (Ind Sqr Root).
<b>AI FB:</b>	<b>LO_ALM (35)</b> Read capability r Alarm for the low pre-alarm limit (LO_LIM) including details on the date and time as well as the value at which the alarm is triggered. <ul style="list-style-type: none"> <li>• Unit of PV_SCALE</li> </ul>
<b>AI FB:</b>	<b>LO_LIM (30)</b> Read/write capability r/w; supported modes ALL Alarm limit for the low pre-alarm LO_ALM <ul style="list-style-type: none"> <li>• Range and unit of PV_SCALE, <math>[-3402823466 \times 10^{38}]</math></li> </ul> If PV falls below this limit, the alarm state parameter LO_ALM is issued.
<b>AI FB:</b>	<b>LO_LO_ALM (36)</b> Read capability r Alarm for the low-low alarm limit (LO_LO_LIM) including details on the date and time as well as the value at which the alarm is triggered. <ul style="list-style-type: none"> <li>• Unit of PV_SCALE</li> </ul> <b>Note:</b> Additionally, the active alarm can be confirmed manually in this parameter group.

<b>AI FB:</b>	<p><b>LO_LO_LIM (32)</b> Read/write capability r/w; supported modes ALL</p> <p>Alarm limit for the low-low alarm LO_LO_ALM</p> <ul style="list-style-type: none"> <li>• Range and unit of PV_SCALE, <math>[-3402823466 \times 10^{38}]</math></li> </ul> <p>If PV falls below this limit, the alarm state parameter LO_LO_ALM is issued.</p>
<b>AI FB:</b>	<p><b>LO_LO_PRI (31)</b> Read/write capability r/w; supported modes ALL</p> <p>Behavior upon falling below the low-low alarm limit LO_LO_LIM</p> <ul style="list-style-type: none"> <li>• [0] · The violation of the low-low alarm limit is not analyzed.</li> <li>• 1 · No notification upon violation of the low-low alarm limit</li> <li>• 2 · Reserved for block alarms</li> <li>• 3 to 7 · The violation of the low-low alarm limit is issued to notify the operator with the corresponding priority: (3 = low, 7 = high)</li> <li>• 8 to 15 · The violation of the low-low alarm limit is issued as a critical alarm with the corresponding priority: (8 = low, 15 = high)</li> </ul>
<b>AI FB:</b>	<p><b>LO_PRI (29)</b> Read/write capability r/w; supported modes ALL</p> <p>Behavior upon falling below the low pre-alarm limit LO_LIM</p> <ul style="list-style-type: none"> <li>• [0] · The violation of the low pre-alarm limit is not analyzed.</li> <li>• 1 · No notification upon violation of the low pre-alarm limit</li> <li>• 2 · Reserved for block alarms</li> <li>• 3 to 7 · The violation of the low pre-alarm limit is issued to notify the operator with the corresponding priority: (3 = low, 7 = high)</li> <li>• 8 to 15 · The violation of the low pre-alarm limit is issued as a critical alarm with the corresponding priority: (8 = low, 15 = high)</li> </ul>
<b>AI FB:</b>	<p><b>LOW_CUT (17)</b> Storage class S; read/write capability r/w; supported modes ALL</p> <p>Limit used when the root function is applied.</p>

<b>AI FB:</b>	<b>MODE_BLK (5)</b> Storage class S; read/write capability r/w; supported modes ALL Operating mode of AI Function Block <ul style="list-style-type: none"> <li>– Target Mode</li> <li>– Actual Mode (read only)</li> <li>– Permitted Mode</li> <li>– Normal Mode (read only)</li> </ul> <ul style="list-style-type: none"> <li>• AUTO · The analog input value (FIELD_VAL) is processed by the function block and issued as OUT.</li> <li>• MAN · The output value of the AI Function Block can be entered manually by the operator over the OUT parameter.</li> <li>• O/S · The AI Function Block is not executed. The last value is issued at the output OUT.</li> </ul>
<b>AI FB:</b>	<b>OUT (8)</b> Read/write capability r/w; supported modes M Primary analog value calculated as the result of the function's execution <ul style="list-style-type: none"> <li>• Output value in the OUT_SCALE unit</li> </ul>
<b>AI FB:</b>	<b>OUT_SCALE (11)</b> Storage class S; read/write capability r/w; supported modes O Range of the analog OUT value (start, end, unit and decimal point) <ul style="list-style-type: none"> <li>• [0 to 100 %]</li> </ul>
<b>AI FB:</b>	<b>PV (7)</b> Read capability r Process variable of the function block (value and status) <ul style="list-style-type: none"> <li>• Unit of the XD_SCALE parameter group</li> </ul>
<b>AI FB:</b>	<b>PV_FTME (18)</b> Storage class S; read/write capability r/w; supported modes ALL Time constant of a single exponential filter for PV
<b>AI FB:</b>	<b>SIMULATE (9)</b> Read/write capability r/w; supported modes ALL Simulation: Input of the discrete input value (FIELD_VAL) with status <b>Note:</b> The simulation can only be activated if it is enabled at the positioner (Code 48 F3) and in the function block.

<b>AI FB:</b>	<p><b>ST_REV (1)</b> Read capability r</p> <p>Static revision number (AO Function Block)</p> <p><b>Note:</b> The revision number is incremented with each change of a static parameter in the block.</p>
<b>AI FB:</b>	<p><b>STATUS_OPTS (14)</b> Storage class S; read/write capability r/w; supported modes ALL</p> <p>Status options to determine status handling and processing</p> <ul style="list-style-type: none"> <li>• PROPAGATE FAULT FORWARD · In the event of sensor failure, the corresponding status is passed on to the downstream function blocks without generating an alarm.</li> <li>• UNCERTAIN IF LIMITED · The measured value is set to the UNCERTAIN status if the measured value is limited.</li> <li>• BAD IF LIMITED · The measured value is set to the BAD status if the measured value is limited.</li> <li>• UNCERTAIN IF MAN MODE · The measured value is set to the UNCERTAIN status if the mode is set to MAN.</li> </ul>
<b>AI FB:</b>	<p><b>STRATEGY (3)</b> Storage class S; read/write capability r/w; supported modes ALL</p> <p>Permits strategic grouping and thus faster processing of blocks</p> <ul style="list-style-type: none"> <li>• [0]</li> </ul> <p>Blocks are grouped by entering the same number in the STRATEGY parameter of each block.</p> <p><b>Note:</b> these data are neither checked nor processed by the AI Function Block.</p>
<b>AI FB:</b>	<p><b>TAG_DESC (2)</b> Storage class S; read/write capability r/w; supported modes ALL</p> <p>User-specific text for unique identification and assignment of the block</p> <ul style="list-style-type: none"> <li>• Max. 32 characters, [no text]</li> </ul>
<b>AI FB:</b>	<p><b>UPDATE_EVT (20)</b> Read capability r; supported modes ALL</p> <p>Indicates whether static block data have been changed, including date and time stamp</p>
<b>AI FB:</b>	<p><b>XD_SCALE (10)</b> Storage class S; read/write capability r/w; supported modes O</p> <p>Range of the OUT value (start, end, unit and decimal point)</p> <ul style="list-style-type: none"> <li>• 0.0 to 100.0 %; specified in [%]</li> </ul>

## Index and parameter assignment: AI Function Block

Index	Parameters
1	ST_REV
2	TAG_DESC
3	STRATEGY
4	ALERT_KEY
5	MODE_BLK
6	BLOCK_ERR
7	PV
8	OUT
9	SIMULATE
10	XD_SCALE
11	OUT_SCALE
12	GRANT_DENY
13	IO_OPTS
14	STATUS_OPTS
15	CHANNEL
16	L_TYPE
17	LOW_CUT
18	PV_FTIME
19	FIELD_VAL
20	UPDATE_EVT
21	BLOCK_ALM
22	ALARM_SUM
23	ACK_OPTION
24	ALARM_HYS
25	HI_HI_PRI
26	HI_HI_LIM
27	HI_PRI
28	HI_LIM

Index	Parameters
29	LO_PRI
30	LO_LIM
31	LO_LO_PRI
32	LO_LO_LIM
33	HI_HI_ALM
34	HI_ALM
35	LO_ALM
36	LO_LO_ALM

## 9.5 Proportional Integral Derivative Function Block (PID)

### PID FB: ACK\_OPTIONS (46)

Storage class S; read/write capability r/w; supported modes ALL

Automatic alarm acknowledgement (PID function block)

- [UNDEFINED] · No selection
- HI\_HI\_ALM · High-high alarm
- HI\_ALM · High pre-alarm
- LO\_LO\_ALM · Low-low alarm
- LO\_ALM · Low pre-alarm
- DV\_HI\_ALM · Limit alarm for upper set point deviation
- DV\_LO\_ALM · Limit alarm for lower set point deviation
- BLOCK ALM · Block alarm

**Note:** The alarm is broadcast to the fieldbus host system, but not acknowledged by it.

### PID FB: ALARM\_HYS (47)

Storage class S; read/write capability r/w; supported modes ALL

Hysteresis for the high and low alarm limits

- 0 to 50 %, [0.5 %]

The alarm conditions remain active as long as the measured value remains within the hysteresis. The hysteresis value has an effect on the following alarm limits of the PID Function Block:

HI\_HI\_LIM; HI\_LIM; LO\_LO\_LIM; LO\_LIM; DV\_HI\_LIM; DV\_LO\_LIM

**Note:** The hysteresis value is a percentage of the PV\_SCALE range in the PID Function Block.

### PID FB: ALARM\_SUM (45)

Storage class S/D; read/write capability r/w; supported modes ALL

Current status of process alarms in the PID Function Block

- HI\_HI\_ALM · Violation of the high-high alarm
- HI\_ALM · Violation of the high pre-alarm
- LO\_LO\_ALM · Violation of the low-low alarm
- LO\_ALM · Violation of the low pre-alarm
- DV\_HI\_ALM · Violation of the limit alarm for upper set point deviation
- DV\_LO\_ALM · Violation of the limit alarm for lower set point deviation
- BLOCK ALM · Block alarm

**Note:** the process alarms can also be deactivated in this parameter group.

<b>PID FB:</b>	<b>ALERT_KEY (4)</b> Storage class S; read/write capability r/w; supported modes ALL ID number of the plant section <ul style="list-style-type: none"> <li>• 1 to 255, [0]</li> </ul> May be used by the fieldbus host system to sort alarms and events. <b>Note:</b> '0' is not permissible and will be rejected when transferring data to the device (error alarm).
<b>PID FB:</b>	<b>BAL_TIME (25)</b> Storage class S; read/write capability r/w; supported modes ALL Integral-action component windup Time constant to counteract the windup (calculated out value > OUT_HI_LIM or < OUT_LO_LIM) of the integral-action component. <ul style="list-style-type: none"> <li>• [0]</li> </ul> <b>Note:</b> If value is '0', windup is removed immediately.
<b>PID FB:</b>	<b>BKCAL_HYS (30)</b> Storage class S; read/write capability r/w; supported modes ALL Hysteresis value for manipulated variable range limits (OUT_HI_LIM and OUT_LO_LIM) <ul style="list-style-type: none"> <li>• 0 to 50 %, [0.5 %]</li> </ul> If the calculated out value violates the range defined by the limits, the violation is indicated in the OUT parameter and passed on to the following blocks. The range violation remains active as long as the calculated out value does not exceed or fall below the hysteresis value.
<b>PID FB:</b>	<b>BKCAL_IN (27)</b> Storage class N; read/write capability r/w; supported modes ALL Analog input value (value and status) BKCAL_IN is adopted by the BKCAL_OUT parameter of the downstream function block for cascade control. This value ensures bumpless switching between operating modes by tracking the output.
<b>PID FB:</b>	<b>BKCAL_OUT (31)</b> Storage class D; read capability r Analog output value (value and status) BKCAL_OUT is passed on to the BKCAL_IN parameter of the upstream function block for cascade control. It prevents integral windup of the controller and thus allows for bumpless switching between operating modes.

<b>PID FB:</b>	<b>BLOCK_ALM (44)</b> Storage class D; read/write capability r/w; supported modes ALL Current block state with details on all configuration, hardware or system problems in the block including date and time stamp.
<b>PID FB:</b>	<b>BLOCK_ERR (6)</b> Storage class D; read capability r Active block error → Code 48 P8 <ul style="list-style-type: none"> <li>• OUT OF SERVICE · Block mode is out of service</li> <li>• CONFIGURATION ERROR</li> </ul>
<b>PID FB:</b>	<b>BYPASS (17)</b> Storage class S; read/write capability r/w; supported modes M/O Activates calculation of the out value through the PID control algorithm <ul style="list-style-type: none"> <li>• UNINITIALIZED · Same as ON</li> <li>• [OFF] · Bypass deactivated: the manipulated variable determined by the PID control algorithm is issued over the OUT parameter.</li> <li>• ON · Bypass activated: the value of the set point SP is issued directly over the OUT parameter.</li> </ul> <p><b>Note:</b> UNINITIALIZED causes the function block to remain in O/S mode. To activate the bypass (ON setting), the bypass must be enabled in the control options (CONTROL_OPTS parameter).</p>
<b>PID FB:</b>	<b>CAS_IN (18)</b> Storage class N; read/write capability r/w; supported modes ALL Analog set point (value and status) → Code 48 P2/3 CAS_IN is adopted from an upstream function block.
<b>PID FB:</b>	<b>CONTROL_OPTS (13)</b> Storage class S; read/write capability r/w; supported modes O Control options to determine the automation strategy <ul style="list-style-type: none"> <li>• [NONE]</li> <li>• BYPASS ENABLE</li> <li>• DIRECT ACTING</li> <li>• TRACK ENABLE · Tracking enabled</li> <li>• TRACK IN MANUAL · Tracking in MAN mode</li> <li>• PV FOR BKCAL_OUT · Value and status of PV used for BKCAL_OUT</li> <li>• NO OUT LIMITS IN MANUAL · No output limits in MAN mode</li> </ul>



<b>PID FB:</b>	<b>DV_HI_ALM (64)</b> Storage class D; read/write capability r/w; supported modes ALL Alarm for the high set point deviation (DV_HI_LIM) including details on the date and time as well as the value at which the alarm is triggered. <b>Note:</b> additionally, the active alarm can be confirmed manually in this parameter group.
<b>PID FB:</b>	<b>DV_HI_LIM (57)</b> Storage class S; read/write capability r/w; supported modes ALL Limit for the upper set point deviation <ul style="list-style-type: none"> <li>• <math>[3402823466 \times 10^{38}]</math></li> </ul> If the controlled variable exceeds the set point by this value, the pre-alarm DV_HI_ALM is issued.
<b>PID FB:</b>	<b>DV_HI_PRI (56)</b> Storage class S; read/write capability r/w; supported modes ALL Behavior upon exceeding the lower upper point deviation (DV_HI_LIM) <ul style="list-style-type: none"> <li>• [0] · The violation of the limit for the upper set point deviation is not analyzed.</li> <li>• 1 · No notification upon violation of the limit for the upper set point deviation</li> <li>• 2 · Reserved for block alarms</li> <li>• 3 to 7 · The violation of the limit for the upper set point deviation is issued to notify the operator with the corresponding priority: (3 = low, 7 = high)</li> <li>• 8 to 15 · The violation of the limit for the upper set point deviation is issued as a critical alarm with the corresponding priority: (8 = low, 15 = high)</li> </ul>
<b>PID FB:</b>	<b>DV_LO_ALM (65)</b> Storage class D; read capability r Alarm for the lower set point deviation (DV_LO_LIM) including details on the date and time as well as the value at which the alarm is triggered. <b>Note:</b> additionally, the active alarm can be confirmed manually in this parameter group.
<b>PID FB:</b>	<b>DV_LO_LIM (59)</b> Storage class S; read/write capability r/w; supported modes ALL Limit for the lower set point deviation <ul style="list-style-type: none"> <li>• <math>[-3402823466 \times 10^{38}]</math></li> </ul> If the controlled variable is smaller than the set point by this value, the pre-alarm DV_LO_ALM is issued.

<b>PID FB:</b>	<p><b>DV_LO_PRI (58)</b> Storage class S; read/write capability r/w; supported modes ALL</p> <p>Behavior upon falling below the lower set point deviation (DV_LO_LIM)</p> <ul style="list-style-type: none"> <li>• [0] · The violation of the limit for the lower set point deviation is not analyzed.</li> <li>• 1 · No notification upon violation of the limit for the lower set point deviation</li> <li>• 2 · Reserved for block alarms</li> <li>• 3 to 7 · The violation of the limit for the lower set point deviation is issued to notify the operator with the corresponding priority: (3 = low, 7 = high)</li> <li>• 8 to 15 · The violation of the limit for the lower set point deviation is issued as a critical alarm with the corresponding priority: (8 = low, 15 = high)</li> </ul>
<b>PID FB:</b>	<p><b>FF_GAIN (42)</b> Storage class S; read/write capability r/w; supported modes M/O</p> <p>Feedforward gain</p> <ul style="list-style-type: none"> <li>• [0]</li> </ul> <p><b>Note:</b> The feedforward gain is multiplied with the input value (FF_VAL). The result is added to the OUT value.</p>
<b>PID FB:</b>	<p><b>FF_SCALE (41)</b> Storage class S; read/write capability r/w; supported modes M/O</p> <p>Measuring range of FF_VAL input value (lower and upper limits, unit and decimal point)</p> <ul style="list-style-type: none"> <li>• [0 to 100 %]</li> </ul>
<b>PID FB:</b>	<p><b>FF_VAL (40)</b> Storage class N; read/write capability r/w; supported modes ALL</p> <p>Feedforward control input value (value and status)</p> <ul style="list-style-type: none"> <li>• Range and unit of FF_SCALE</li> </ul> <p><b>Note:</b> The input value is multiplied with the feedforward gain FF_GAIN. The result is added to the OUT value.</p>
<b>PID FB:</b>	<p><b>GAIN (23)</b> Storage class S; read/write capability r/w; supported modes ALL</p> <p>Proportional-action coefficient</p> <ul style="list-style-type: none"> <li>• [1.0]</li> </ul> <p><b>Note:</b> The parameter must be set to a value not equal to 0; otherwise, a configuration error is set in the BLOCK_ERR parameter and the block is set to 'Out of service' (O/S) mode.</p>
<b>PID FB:</b>	<p><b>GRANT_DENY (12)</b> · This parameter is not supported.</p>

<b>PID FB:</b>	<b>HI_ALM (61)</b> Storage class D; read capability r Alarm for the high pre-alarm limit (HI_LIM) including details on the date and time as well as the value at which the alarm is triggered. • Unit of PV_SCALE
<b>PID FB:</b>	<b>HI_HI_ALM (60)</b> Storage class D; read/write capability r/w Alarm for the high-high alarm limit (HI_HI_LIM) including details on the date and time as well as the value at which the alarm is triggered. • Unit of PV_SCALE <b>Note:</b> Additionally, the active alarm can be confirmed manually in this parameter group.
<b>PID FB:</b>	<b>HI_HI_LIM (49)</b> Storage class S; read/write capability r/w; supported modes ALL Upper alarm limit (HI_HI_ALM) • Range and unit of PV_SCALE, [3402823466 × 10 <sup>38</sup> ] If PV exceeds this limit, the alarm state parameter HI_HI_ALM is issued.
<b>PID FB:</b>	<b>HI_HI_PRI (48)</b> Storage class S; read/write capability r/w; supported modes ALL Behavior upon exceeding the high-high alarm limit HI_HI_LIM • [0] · The violation of the high-high alarm limit is not analyzed. • 1 · No notification upon violation of the high-high alarm limit • 2 · Reserved for block alarms • 3 to 7 · The violation of the high-high alarm limit is issued to notify the operator with the corresponding priority: (3 = low, 7 = high) • 8 to 15 · The violation of the high-high alarm limit is issued as a critical alarm with the corresponding priority: (8 = low, 15 = high)
<b>PID FB:</b>	<b>HI_LIM (51)</b> Storage class S; read/write capability r/w; supported modes ALL Alarm limit for the high pre-alarm HI_ALM • Range and unit of PV_SCALE, [3402823466 × 10 <sup>38</sup> ] If PV exceeds this limit, the alarm state parameter HI_ALM is issued.

<b>PID FB:</b>	<b>HI_PRI (50)</b> Storage class S; read/write capability r/w; supported modes ALL Behavior upon exceeding the high pre-alarm limit HI_LIM <ul style="list-style-type: none"> <li>• [0] · The violation of the high pre-alarm limit is not analyzed.</li> <li>• 1 · No notification upon violation of the high pre-alarm limit</li> <li>• 2 · Reserved for block alarms</li> <li>• 3 to 7 · The violation of the high pre-alarm limit is issued to notify the operator with the corresponding priority: (3 = low, 7 = high)</li> <li>• 8 to 15 · The violation of the high pre-alarm limit is issued as a critical alarm with the corresponding priority: (8 = low, 15 = high)</li> </ul>
<b>PID FB:</b>	<b>IN (15)</b> Storage class N; read/write capability r/w; supported modes ALL Analog controlled variable x (value and status)
<b>PID FB:</b>	<b>LO_ALM (62)</b> Storage class D; read capability r Alarm for the low pre-alarm limit (LO_LIM) including details on the date and time as well as the value at which the alarm is triggered. <ul style="list-style-type: none"> <li>• Unit of PV_SCALE</li> </ul>
<b>PID FB:</b>	<b>LO_LIM (53)</b> Storage class S; read/write capability r/w Alarm limit for the low pre-alarm LO_ALM <ul style="list-style-type: none"> <li>• Range and unit of PV_SCALE, <math>[-3402823466 \times 10^{38}]</math></li> </ul> If PV falls below this limit, the alarm state parameter LO_ALM is issued.
<b>PID FB:</b>	<b>LO_LO_ALM (63)</b> Storage class D; read capability r Alarm for the low-low alarm limit (LO_LO_LIM) including details on the date and time as well as the value at which the alarm is triggered. <ul style="list-style-type: none"> <li>• Unit of PV_SCALE</li> </ul> <b>Note:</b> Additionally, the active alarm can be confirmed manually in this parameter group.
<b>PID FB:</b>	<b>LO_LO_LIM (55)</b> Storage class S; read/write capability r/w; supported modes ALL Alarm limit for the low-low alarm LO_LO_ALM <ul style="list-style-type: none"> <li>• Range and unit of PV_SCALE, <math>[-3402823466 \times 10^{38}]</math></li> </ul> If PV falls below this limit, the alarm state parameter LO_LO_ALM is issued.

**PID FB: LO\_LO\_PRI (54)**

Storage class S; read/write capability r/w; supported modes ALL

Behavior upon falling below the low-low alarm limit LO\_LO\_LIM

- [0] · The violation of the low-low alarm limit is not analyzed.
- 1 · No notification upon violation of the low-low alarm limit
- 2 · Reserved for block alarms
- 3 to 7 · The violation of the low-low alarm limit is issued to notify the operator with the corresponding priority: (3 = low, 7 = high)
- 8 to 15 · The violation of the low-low alarm limit is issued as a critical alarm with the corresponding priority: (8 = low, 15 = high)

**PID FB: LO\_PRI (52)**

Storage class S; read/write capability r/w; supported modes ALL

Behavior upon falling below the low pre-alarm limit LO\_LIM

- [0] · The violation of the low pre-alarm limit is not analyzed.
- 1 · No notification upon violation of the low pre-alarm limit
- 2 · Reserved for block alarms
- 3 to 7 · The violation of the low pre-alarm limit is issued to notify the operator with the corresponding priority: (3 = low, 7 = high)
- 8 to 15 · The violation of the low pre-alarm limit is issued as a critical alarm with the corresponding priority: (8 = low, 15 = high)

<b>PID FB:</b>	<p><b>MODE_BLK (5)</b></p> <p>Storage class S; read/write capability r/w; supported modes ALL</p> <p>Operating mode</p> <ul style="list-style-type: none"> <li>- Target Mode → Code 48 P0</li> <li>- Actual Mode (read only) → Code 48 P1</li> <li>- Permitted Mode</li> <li>- Normal Mode (read only)</li> </ul> <ul style="list-style-type: none"> <li>• O/S · The PID algorithm of the block is not executed. The last value or the value determined during an active fault processing is issued at the OUT parameter.</li> <li>• MAN · The output value of the function block can be entered manually by the operator over the OUT parameter.</li> <li>• AUTO · The set point entered by the operator is used over the SP parameter upon execution of the PID Function Block.</li> <li>• CAS · The PID Function Block receives the set point directly from an upstream function block over the CAS_IN parameter for internal calculation of the out value. The PID Function Block is implemented.</li> <li>• RCAS · The PID Function Block receives the set point directly from the fieldbus host system over the RCAS_IN parameter for internal calculation of the out value. The PID Function Block is implemented.</li> <li>• ROUT · The PID Function Block receives the out value directly from the fieldbus host system over the ROUT_IN parameter. The out value is issued again over the OUT parameter without the internal PID algorithm being executed.</li> </ul>
<b>PID FB:</b>	<p><b>OUT (9)</b></p> <p>Storage class S; read/write capability r/w; supported modes O/M</p> <p>Out value of the PID Function Block (value, limit and status) → Code 48 P6/7</p> <ul style="list-style-type: none"> <li>• Range OUT_SCALE ±10 %, unit of XD_SCALE</li> </ul> <p><b>Note:</b> The OUT value can be entered manually when the MAN mode is selected in the MODE_BLK parameter.</p>
<b>PID FB:</b>	<p><b>OUT_HI_LIM (28)</b></p> <p>Storage class S; read/write capability r/w; supported modes ALL</p> <p>Upper limit for analog OUT value</p> <ul style="list-style-type: none"> <li>• Range OUT_SCALE ±10 %, unit of OUT_SCALE, [100]</li> </ul>
<b>PID FB:</b>	<p><b>OUT_LO_LIM (29)</b></p> <p>Storage class S; read/write capability r/w; supported modes ALL</p> <p>Lower limit for analog OUT value</p> <ul style="list-style-type: none"> <li>• Range OUT_SCALE ±10 %, unit of OUT_SCALE, [0]</li> </ul>

<b>PID FB:</b>	<b>OUT_SCALE (11)</b> Storage class S; read/write capability r/w; supported modes O Range of the analog OUT value (start, end, unit and decimal point) • [0 to 100 %]
<b>PID FB:</b>	<b>PV (7)</b> Storage class D; read capability r Process variable for block execution (value and status) • Unit of PV_SCALE
<b>PID FB:</b>	<b>PV_FTIME (16)</b> Storage class S; read/write capability r/w; supported modes ALL Filter time constant [s] of the first-order digital filter • [0] This time is required for 63 % of a change in the controlled variable at input IN to take effect in the value of PV.
<b>PID FB:</b>	<b>PV_SCALE (10)</b> Storage class S; read/write capability r/w; supported modes O Range of the process variable (PV) (start, end, unit and decimal point) • [0 to 100 %]
<b>PID FB:</b>	<b>RATE (26)</b> Storage class S; read/write capability r/w; supported modes ALL Time constant [s] for differential function • [0]
<b>PID FB:</b>	<b>RCAS_IN (32)</b> Storage class N; read/write capability r/w; supported modes ALL Analog set point for internal calculation of the out value (value and status) RCAS_IN is provided by the fieldbus host system. <b>Note:</b> This parameter is only active in RCAS mode.
<b>PID FB:</b>	<b>RCAS_OUT (35)</b> Storage class D; read capability r Analog set point after applying the ramp function (value and status) RCAS_OUT value is provided to the fieldbus host system to perform back-calculations in case of control mode changes or limited signals. <b>Note:</b> This parameter is only active in RCAS mode.

<b>PID FB:</b>	<p><b>RESET (24)</b> Storage class S; read/write capability r/w</p> <p>Time constant for integral function</p> <ul style="list-style-type: none"> <li>• [3402823466 x 10<sup>38</sup>] (maximum possible value)</li> </ul> <p><b>Note:</b> The cold start value or '0' switches off the interal function.</p>
<b>PID FB:</b>	<p><b>ROUT_IN (33)</b> Storage class N; read/write capability r/w; supported modes ALL</p> <p>Out value (value and status)</p> <p>ROUT_IN is provided by the fieldbus host system.</p> <p><b>Note:</b> This parameter is only active in ROUT mode.</p>
<b>PID FB:</b>	<p><b>ROUT_OUT (36)</b> Storage class D; read capability r</p> <p>Analog set point (value and status) read over the ROUT_IN parameter</p> <p>ROUT_OUT value is provided to the fieldbus host system to perform back-calculations in case of control mode changes or limited signals.</p> <p><b>Note:</b> This parameter is only active in ROUT mode.</p>
<b>PID FB:</b>	<p><b>SHED_OPT (34)</b> Storage class S; read/write capability r/w; supported modes ALL</p> <p>Behavior upon exceeding the monitoring time (SHED_RCAS parameter in the Resource Block) while checking the connection between the fieldbus host system and the PID Function Block in RCAS or ROUT.</p> <p>When the monitoring time has elapsed, the PID Function Block switches from RCAS or ROUT to the selected operating mode. The action to be taken after the fault state ends is also determined.</p> <ul style="list-style-type: none"> <li>• [UNINITIALIZED]</li> <li>• NORMAL SHED_NORMAL RETURN · On failure of remote connection, change to next possible mode until RCAS or ROUT mode is restored.</li> <li>• NORMAL SHED_NO RETURN · On failure of remote connection, change to next possible mode. The block remains in this mode.</li> </ul>



- SHED TO AUTO\_NORMAL RETURN · On failure of remote connection, change to AUTO mode until RCAS or ROUT mode is restored.
- SHED TO AUTO\_NO RETURN · On failure of remote connection, change to AUTO mode. No attempt is made to restore the mode and the block remains in AUTO mode.
- SHED TO MANUAL\_NORMAL RETURN · On failure of remote connection, change to MAN mode until RCAS or ROUT mode is restored.
- SHED TO MANUAL\_NO RETURN · On failure of remote connection, change to MAN mode. No attempt is made to restore the mode and the block remains in MAN mode.
- SHED TO RETAINED\_TARGET\_NORMAL RETURN · On failure of remote connection, the block attempts to attain the retained target mode until RCAS or ROUT mode is restored.
- SHED TO RETAINED\_TARGET\_NO RETURN · On failure of remote connection, the block sets the target mode to the retained target mode.

**Note:** This parameter is only active in RCAS and ROUT modes in the PID Function Block. If the value is set to UNINITIALIZED, the PID Function Block cannot be placed in the RCAS or ROUT mode.

**PID FB:** **SP (8)**

Storage class N; read/write capability r/w; supported modes O/M/A

Set point w in AUTO mode (value and status) → Code 48 P4/5

- Value and range from PV\_SCALE ±10 %

**PID FB:** **SP\_HI\_LIM (21)**

Storage class S; read/write capability r/w; supported modes ALL

Upper set point limit

- Value and range from PV\_SCALE ±10 %, [100]

**Note:** Adapt this value accordingly if the end-of-scale value in the PV\_SCALE parameter is changed.

**PID FB:** **SP\_LO\_LIM (22)**

Storage class S; read/write capability r/w; supported modes ALL

Lower set point limit

- Value and range from PV\_SCALE ±10 %, [0]

**Note:** Adapt this value accordingly if the end-of-scale value in the PV\_SCALE parameter is changed.

<b>PID FB:</b>	<p><b>SP_RATE_DN (19)</b></p> <p>Storage class S; read/write capability r/w; supported modes ALL</p> <p>Set point downward rate limit in AUTO mode</p> <ul style="list-style-type: none"> <li>• [3402823466 × 10<sup>38</sup>]</li> </ul> <p><b>Note:</b> If '0' is entered, the set point is used. Speed limitation for control blocks is only active in AUTO mode.</p>
<b>PID FB:</b>	<p><b>SP_RATE_UP (20)</b></p> <p>Storage class S; read/write capability r/w; supported modes ALL</p> <p>Set point upward rate limit in AUTO mode</p> <ul style="list-style-type: none"> <li>• [3402823466 × 10<sup>38</sup>]</li> </ul> <p><b>Note:</b> If '0' is entered, the set point is used. Speed limitation for control blocks is only active in AUTO mode.</p>
<b>PID FB:</b>	<p><b>ST_REV (1)</b></p> <p>Storage class S; read capability r</p> <p>Static revision number (PID)</p> <p><b>Note:</b> The revision number is incremented with each change of a static parameter in the block.</p>
<b>PID FB:</b>	<p><b>STATUS_OPTS (14)</b></p> <p>Storage class S; read/write capability r/w; supported modes O</p> <p>Status options to determine status handling and processing</p> <ul style="list-style-type: none"> <li>• [UNINITIALIZED]</li> <li>• IFS IF BAD IN · Fault state of the downstream AO Function Block is activated when the controlled variable IN changes the status to BAD.</li> <li>• IFS IF BAD CAS_IN · Fault state of the downstream AO Function Block is activated when the external set point CAS_IN changes the status to BAD.</li> <li>• USE UNCERTAIN AS GOOD · The UNCERTAIN status is used as GOOD</li> <li>• TARGET IN MANUAL IF BAD IN · Transition to MAN mode if the controlled variable changes the status to BAD</li> </ul>
<b>PID FB:</b>	<p><b>STRATEGY (3)</b></p> <p>Storage class S; read/write capability r/w; supported modes ALL</p> <p>Permits strategic grouping and thus faster processing of blocks</p> <ul style="list-style-type: none"> <li>• [0]</li> </ul> <p>Blocks are grouped by entering the same number in the STRATEGY parameter of each block.</p> <p><b>Note:</b> These data are neither checked nor processed by the PID Function Block.</p>

<b>PID FB:</b>	<b>TAG_DESC (2)</b> Storage class S; read/write capability r/w; supported modes ALL User-specific text for identification and assignment of the block • Max. 32 characters, [no text]
<b>PID FB:</b>	<b>TRK_IN_D (38)</b> Storage class N; read/write capability r/w; supported modes ALL Discrete input that activates external output tracking (value and status) Mode is changed to LO after tracking has been activated. The output value at OUT assumes the value defined by the TRK_VAL input.
<b>PID FB:</b>	<b>TRK_SCALE (37)</b> Storage class S; read/write capability r/w; supported modes O/M Range for external tracking value (TRK_VAL) (start, end, unit and decimal point) • [0 to 100 %]
<b>PID FB:</b>	<b>TRK_VAL (39)</b> Storage class N; read/write capability r/w; supported modes ALL Analog input for external tracking (value and status) TRK_VAL is read from another function block.
<b>PID FB:</b>	<b>UPDATE_EVT (43)</b> Storage class D; read capability r Indicates whether static data have been changed, including date and time stamp.

**Index and parameter assignment: PID Function Block**

Index	Parameters
0	–
1	ST_REV
2	TAG_DESC
3	STRATEGY
4	ALERT_KEY
5	MODE_BLK
6	BLOCK_ERR
7	PV
8	SP
9	OUT
10	PV_SCALE
11	OUT_SCALE
12	GRANT_DENY
13	CONTROL_OPTS
14	STATUS_OPTS
15	IN
16	PV_FTIME
17	BYPASS
18	CAS_IN
19	SP_RATE_DN
20	SP_RATE_UP
21	SP_HI_LIM
22	SP_LO_LIM
23	GAIN
24	RESET
25	BAL_TIME
26	RATE
27	BKCAL_IN
28	OUT_HI_LIM
29	OUT_LO_LIM
30	BKCAL_HYS

Index	Parameters
31	BKCAL_OUT
32	RCAS_IN
33	ROUT_IN
34	SHED_OPT
35	RCAS_OUT
36	ROUT_OUT
37	TRK_SCALE
38	TRK_IN_D
39	TRK_VAL
40	FF_VAL
41	FF_SCALE
42	FF_GAIN
43	UPDATE_EVT
44	BLOCK_ALM
45	ALARM_SUM
46	ACK_OPTIONS
47	ALARM_HYS
48	HI_HI_PRI
49	HI_HI_LIM
50	HI_PRI
51	HI_LIM
52	LO_PRI
53	LO_LIM
54	LO_LO_PRI
55	LO_LO_LIM
56	DV_HI_PRI
57	DV_HI_LIM
58	DV_LO_PRI
59	DV_LO_LIM
60	HI_HI_ALM
61	HI_ALM

Index	Parameters
62	LO_ALM
63	LO_LO_ALM

Index	Parameters
64	DV_HI_ALM
65	DV_LO_ALM

## 9.6 Discrete Output Function Block (DO FB)

<b>DO FB:</b>	<b>ALERT_KEY (4)</b> Storage class S; read/write capability r/w; supported modes ALL ID number of the plant section • 1 to 255, [0] May be used by the fieldbus host system to sort alarms and events. <b>Note:</b> '0' is not permissible and will be rejected when transferring data to the device (error alarm).
<b>DO FB:</b>	<b>BKCAL_OUT_D (21)</b> Storage class D; read capability r Discrete output value for upstream block (value and status) BKCAL_OUT_D is passed on to the BKCAL_IN parameter of the upstream function block for cascade control. It prevents integral windup of the controller and thus allows for bumpless switching between operating modes.
<b>DO FB:</b>	<b>BLOCK_ALM (26)</b> Storage class D; read capability r Current block state with details on all configuration, hardware or system problems in the block including date and time stamp.
<b>DO FB:</b>	<b>BLOCK_ERR (6)</b> Storage class D; read capability r Active block error → Code 48 A8 • OUT OF SERVICE • CONFIGURATION_ERROR
<b>DO FB:</b>	<b>CAS_IN_D (17)</b> Storage class N; read/write capability r/w; supported modes ALL Discrete set point from upstream function block (value and status)
<b>DO FB:</b>	<b>CHANNEL (18)</b> Storage class S; read/write capability r/w; supported modes O Assignment of the output of DO Function Block and the logical hardware channels (Transducer Block). • [6] in DO1 FB and [7] in DO2 FB <b>Note:</b> Set CHANNEL to 6 to start up the DO1 Function Block. This allows it to be assigned to DO1 TRD. Set CHANNEL to 7 to start up the DO2 Function Block. This allows it to be assigned to DO2 TRD.

<b>DO FB:</b>	<b>FSTATE_TIME (19)</b> Storage class S; read/write capability r/w; supported modes ALL Fault state time [s] Time between an error in the set point valid for the DO Function Block in the current operating mode is detected and the fault state is activated. <ul style="list-style-type: none"> <li>• [0]</li> </ul> <b>Note:</b> Fault state is activated if the error persists after this time has elapsed. The fault state of the DO Function Block is determined in the IO_OPTS parameter of this block.
<b>DO FB:</b>	<b>FSTATE_VAL_D (20)</b> Storage class S; read/write capability r/w; supported modes ALL Fail-state value for the DO Function Block when fail-safe action is triggered. <ul style="list-style-type: none"> <li>• Value and range from PV_SCALE <math>\pm 10\%</math>, [0]</li> </ul> <b>Note:</b> The value is used if the FAULT STATE TO VALUE option is selected in the IO_OPTS parameter.
<b>DO FB:</b>	<b>GRANT_DENY (13)</b> · This parameter is not supported.
<b>DO FB:</b>	<b>IO_OPTS (14)</b> Storage class S; read/write capability r/w; supported modes O Selects the input/output behavior of the DO Function Block. <ul style="list-style-type: none"> <li>• INVERTIERT · Inversion of SP_D</li> <li>• SP-PV TRACK IN MAN · SP tracks PV in MAN mode (actual mode)</li> <li>• SP-PV TRACK IN LO · SP tracks PV in LO mode (actual mode)</li> <li>• SP TRACK RETAINED TARGET · SP tracks RCAS_IN or CAS_IN depending on the preset target mode in LO or MAN mode (actual mode). This option has priority over SP-PV TRACK IN MAN/LO.</li> <li>• FAULT STATE TO VALUE · FSTATE_VAL_D is used as the set point when the fault state is activated (see FSTATE_VAL_D, FSTATE_TIME)</li> <li>• USE FAULT STATE VALUE ON RESTART · FSTATE_VAL_D is used as the set point on restart until a valid value has been entered.</li> <li>• TARGET TO MAN IF FAULT STATE ACTIVATED · When the fault state is activated, the target mode is set to MAN and the original target mode is lost. The block remains in MAN mode after the fault state has been left until the user sets it to the desired operating mode.</li> <li>• USE PV FOR BKCAL_OUT · The PV_D process value is fed back at BKCAL_OUT instead of the working process value.</li> </ul>

<b>DO FB:</b>	<b>MODE_BLK (5)</b>
	Storage class N; read/write capability r/w; supported modes ALL
	Operating mode of DO Function Block
	<ul style="list-style-type: none"> <li>– Target Mode</li> <li>– Actual Mode</li> <li>– Permitted Mode</li> <li>– Normal Mode (read only)</li> </ul>
	<ul style="list-style-type: none"> <li>• AUTO · The discrete set point entered by the operator is used over the SP_D parameter upon execution of the DO Function Block.</li> <li>• MAN · The discrete output value of the DO Function Block can be entered manually by the operator over the OUT_D parameter.</li> <li>• CAS · The DO Function Block receives the discrete set point directly from an upstream function block over the CAS_IN_D parameter for internal processing of the out value. The DO Function Block is implemented.</li> <li>• RCAS · The DO Function Block receives the discrete set point directly from the fieldbus host system over the RCAS_IN_D parameter for internal processing of the out value. The DO Function Block is implemented.</li> <li>• O/S · The DO Function Block is not executed. The last value or the value determined during an active fault processing is issued at the OUT_D parameter.</li> </ul>
<b>DO FB:</b>	<b>OUT_D (9)</b>
	Storage class S; read/write capability r/w; supported modes O/M
	Out value of the DO Function Block (value, limit and status)
	<ul style="list-style-type: none"> <li>• Range of OUT_SCALE <math>\pm 10\%</math>; unit of the XD_SCALE parameter group</li> </ul>
	<b>Note:</b> The OUT value can be entered manually when the MAN mode is selected in the MODE_BLK parameter.
<b>DO FB:</b>	<b>PV_D (7)</b>
	Storage class D; read capability r
	Discrete process variable used to execute the module (value and status)
<b>DO FB:</b>	<b>PV_STATE (11)</b>
	Storage class S; read/write capability r/w; supported modes ALL
	Status of PV_D and SP_D parameters
<b>DO FB:</b>	<b>RCAS_IN_D (22)</b>
	Storage class N; read/write capability r/w; supported modes ALL
	Discrete set point for internal calculation of the out value (value and status)
	RCAS_IN_D value is provided by the fieldbus host system.
	<b>Note:</b> This parameter is only active in RCAS mode.



<b>DO FB:</b>	<p><b>RCAS_OUT_D (24)</b> Storage class D; read capability r</p> <p>Discrete set point after applying the ramp function (value and status) The RCAS_OUT_D value is provided to the fieldbus host system to perform back-calculations in case of control mode changes or limited signals.</p> <p><b>Note:</b> This parameter is only active in RCAS mode.</p>
<b>DO FB:</b>	<p><b>READBACK_D (16)</b> Storage class D; read capability r</p> <p>Current discrete valve position</p> <ul style="list-style-type: none"> <li>• 0: 0 % 1: 100 %</li> <li>• 2: Intermediate position (0.5 % &lt; x &lt; 99.5 %)</li> </ul>
<b>DO FB:</b>	<p><b>SHED_OPT (23)</b> Storage class S; read/write capability r/w; supported modes ALL</p> <p>Behavior upon exceeding the monitoring time (see SHED_RCAS in the Resource Block) Monitoring of the connection between fieldbus host system and DO Function Block in RCAS mode. When the monitoring time has elapsed, DO Function Block switches from the RCAS mode to the selected operating mode.</p> <p>The action to be taken after the fault state ends is also determined.</p> <ul style="list-style-type: none"> <li>• [UNINITIALIZED]</li> <li>• NORMAL SHED_NORMAL RETURN · On failure of remote connection, change to next possible mode until RCAS mode is restored.</li> <li>• NORMAL SHED_NO RETURN · On failure of remote connection, change to next possible mode. The block remains in this mode.</li> <li>• SHED TO AUTO_NORMAL RETURN · On failure of remote connection, change to AUTO mode until RCAS mode is restored.</li> <li>• SHED TO AUTO_NO RETURN · On failure of remote connection, change to AUTO mode. No attempt is made to restore the mode and the block remains in AUTO mode.</li> <li>• SHED TO MANUAL_NORMAL RETURN · On failure of remote connection, change to MAN mode until RCAS mode is restored.</li> <li>• SHED TO MANUAL_NO RETURN · On failure of remote connection, change to MAN mode. No attempt is made to restore the mode and the block remains in MAN mode.</li> <li>• SHED TO RETAINED_TARGET_NORMAL RETURN · On failure of remote connection, the block attempts to attain the retained target mode until RCAS mode is restored.</li> <li>• SHED TO RETAINED_TARGET_NO RETURN · On failure of remote connection, the block sets the target mode to the retained target mode.</li> </ul> <p><b>Note:</b> This parameter is only active in RCAS mode in the DO function block. If the value is set to UNINITIALIZED, the DO function block cannot be placed in the RCAS mode.</p>

<b>DO FB:</b>	<b>SIMULATE_D (10)</b> Storage class D; read/write capability r/w; supported modes ALL Simulation of the process variable PV_D of the block (value and status) <b>Note:</b> During simulation, OUT_D is not transmitted to the Transducer Block; the block retains the last valid value received before simulation was activated. The simulation can only be activated when SIMULATE ACTIVE is set in the BLOCK_ERR parameter of the Resource Block.
<b>DO FB:</b>	<b>SP_D (8)</b> Storage class N; read/write capability r/w; supported modes O/M/A Discrete set point (reference variable) in AUTO mode
<b>DO FB:</b>	<b>ST_REV (1)</b> Storage class N; read capability r Static revision number <b>Note:</b> The revision number is incremented with each change of a static parameter in the block.
<b>DO FB:</b>	<b>STATUS_OPTS (15)</b> Storage class S; read/write capability r/w; supported modes O Options for status handling <ul style="list-style-type: none"> <li>• UNCERTAIN as GOOD: the status of OUT is set to GOOD if the status of the input value IN_x is UNCERTAIN.</li> <li>• UNCERTAIN IF MAN MODE: the status of OUT is set to UNCERTAIN if the actual mode is set to MAN.</li> </ul>
<b>DO FB:</b>	<b>STRATEGY (3)</b> Storage class S; read/write capability r/w; supported modes ALL Permits strategic grouping and thus faster processing of blocks <ul style="list-style-type: none"> <li>• [0]</li> </ul> Blocks are grouped by entering the same number in the STRATEGY parameter of each block. <b>Note:</b> These data are neither checked nor processed by the DO Function Block.
<b>DO FB:</b>	<b>TAG_DESC (2)</b> Storage class S; read/write capability r/w; supported modes ALL User-specific text for unique identification and assignment of the block <ul style="list-style-type: none"> <li>• Max. 32 characters, [no text]</li> </ul>

<b>DO FB:</b>	<b>UPDATE_EVT (25)</b> Storage class D; read capability r Indicates whether static block data have been changed, including date and time stamp
<b>DO FB:</b>	<b>XD_STATE (12)</b> Storage class S; read/write capability r/w; supported modes ALL Status of OUT_D and READBACK_D parameters

### Index and parameter assignment: DO Function Block

Index	Parameters
0	–
1	ST_REV
2	TAG_DESC
3	STRATEGY
4	ALERT_KEY
5	MODE_BLK
6	BLOCK_ERR
7	PV_D
8	SP_D
9	OUT_D
10	SIMULATE_D
11	PV_STATE
12	XD_STATE
13	GRANT_DENY

Index	Parameters
14	IO_OPTS
15	STATUS_OPTS
16	READBACK_D
17	CAS_IN_D
18	CHANNEL
19	FSTATE_TIME
20	FSTATE_VAL_D
21	BKCAL_OUT_D
22	RCAS_IN_D
23	SHED_OPT
24	RCAS_OUT_D
25	UPDATE_EVT
26	BLOCK_ALM

## 9.7 Discrete Input Function Block (DI1 FB + DI2 FB)

<b>DI FB:</b>	<b>ACK_OPTIONS (21)</b> Storage class S; read/write capability r/w; supported modes O/M/A Automatic alarm acknowledgement (DI function block) <ul style="list-style-type: none"> <li>• [UNDEFINED] · No selection</li> <li>• BLOCK ALM · Block alarm</li> <li>• DISC ALM · Write protection was changed</li> </ul> <b>Note:</b> The alarm is broadcast to the fieldbus host system, but not acknowledged by it.
<b>DI FB:</b>	<b>ALARM_SUM (20)</b> Storage class S/D; read/write capability r/w; supported modes O/M/A Current status of process alarms in the DI Function Block <ul style="list-style-type: none"> <li>• BLOCK ALM · Block alarm</li> <li>• DISC ALM · Write protection was changed</li> </ul> <b>Note:</b> The process alarms can also be deactivated in this parameter group.
<b>DI FB:</b>	<b>ALERT_KEY (4)</b> Storage class S; read/write capability r/w; supported modes O/M/A ID number of the plant section <ul style="list-style-type: none"> <li>• 1 to 255, [0]</li> </ul> May be used by the fieldbus host system to sort alarms and events. <b>Note:</b> '0' is not permissible and will be rejected when transferring data to the device (error alarm).
<b>DI FB:</b>	<b>BLOCK_ALM (19)</b> Storage class D; read capability r Current block state with details on all configuration, hardware or system problems in the block including date and time stamp.
<b>DI FB:</b>	<b>BLOCK_ERR (6)</b> Storage class D; read capability r Active block error Code 48 16 for DI1, Code 48 L6 for DI2 <ul style="list-style-type: none"> <li>• OUT OF SERVICE</li> <li>• CONFIGURATION_ERROR</li> </ul>

<b>DI FB:</b>	<b>CHANNEL (15)</b> Storage class S; read/write capability r/w; supported modes O Assignment of the output of DI Function Block and the logical hardware channels (Transducer Block) • [1] in DI1 FB and [2] in DI2 FB <b>Note:</b> Set CHANNEL to 1 to start up the DI1 Function Block. This allows it to be assigned to DI1 TRD. Set CHANNEL to 2 to start up the DI2 Function Block. This allows it to be assigned to DI2 TRD.
<b>DI FB:</b>	<b>DISC_ALM (24)</b> Storage class D; read capability r Discrete alarm (status, time and date of alarm, value that triggered the alarm) Value entered in DISC_LIM parameter is exceeded. <b>Note:</b> Additionally, the active alarm can be confirmed manually in this parameter group.
<b>DI FB:</b>	<b>DISC_LIM (23)</b> Storage class S; read/write capability r/w; supported modes O/M/A Limit for discrete alarm • [0], 1
<b>DI FB:</b>	<b>DISC_PRI (22)</b> Storage class S; read/write capability r/w; supported modes O/M/A Alarm configuration (behavior on reaching the DISC_LIM limit) • [0] · The violation of the limit is not analyzed. • 1 · No notification upon violation of the limit • 2 · Reserved for block alarms • 3 to 7 · The violation of the limit is issued to notify the operator with the corresponding priority: (3 = low, 7 = high)
<b>DI FB:</b>	<b>FIELD_VAL_D (17)</b> Storage class N; read capability r Discrete input variable of the DI function block (value and status) → Code 48 I2/3 for DI1, Code 48 L2/3 fro DI2
<b>DI FB:</b>	<b>GRANT_DENY (12)</b> · This parameter is not supported.

<b>DI FB: IO_OPTS (13)</b>	<p>Storage class S; read/write capability r/w; supported modes O</p> <p>Selects the input/output behavior of the DI Function Block.</p> <ul style="list-style-type: none"> <li>• INVERT · Sets a logic NOT operation between the input FIELD_VAL_D and output OUT_D.</li> </ul>
<b>DI FB: MODE_BLK (5)</b>	<p>Storage class N; read/write capability r/w; supported modes O/M/A</p> <p>Operating mode</p> <ul style="list-style-type: none"> <li>– Target Mode → Code 48 t4 for DI1, Code 48 t7 for DI2</li> <li>– Actual Mode (read only)</li> <li>– Permitted Mode</li> <li>– Normal Mode (read only)</li> </ul> <ul style="list-style-type: none"> <li>• O/S · The DI function block is not executed. The last value is issued at the output OUT_D.</li> <li>• MAN · The output value of the DI Function Block can be entered manually by the operator over the OUT_D parameter.</li> <li>• AUTO · The binary input value (FIELD_VAL_D) is processed by the function block and issued as OUT_D.</li> </ul>
<b>DI FB: OUT_D (8)</b>	<p>Storage class S; read/write capability r/w; supported modes O/M</p> <p>Discrete output variable (value and status) → Code 48 l4/5 for DI1, Code 48 L4/5 for DI2</p>
<b>DI FB: PV_D (7)</b>	<p>Storage class D; read capability r</p> <p>Indicates the discrete state (including status) used for the function block.</p> <p><b>Note:</b> In AUTO mode, the PV_D parameter is identical with output OUT_D.</p>
<b>DI FB: PV_FTME (16)</b>	<p>Storage class S; read/write capability r/w; supported modes O/M/A</p> <p>Filter time constant [s] of the digital filter until a binary state at the input of the function block is adopted in the PV_D parameter.</p> <ul style="list-style-type: none"> <li>• [0]</li> </ul>
<b>DI FB: SIMULATE_D (9)</b>	<p>Storage class S; read/write capability r/w; supported modes O/M/A</p> <p>Simulation: entering of the discrete input value (FIELD_VAL_D) with status</p> <p><b>Note:</b> The simulation can only be activated if it is enabled at the positioner (Code 48 F3) and in the function block.</p>

<b>DI FB:</b>	<b>STATUS_OPTS (14)</b> Storage class S; read/write capability r/w; supported modes O Status options to determine status handling and processing <ul style="list-style-type: none"> <li>• [UNINITIALIZED]</li> <li>• PROPAGATE FAIL FWD · Fault state is passed on to the downstream block</li> </ul>
<b>DI FB:</b>	<b>STRATEGY (3)</b> Storage class S; read/write capability r/w; supported modes O/M/A Permits strategic grouping and thus faster processing of blocks [0] Blocks are grouped by entering the same number in the STRATEGY parameter of each block. <b>Note:</b> these data are neither checked nor processed by the DI Function Block.
<b>DI FB:</b>	<b>ST_REV (1)</b> Storage class N; read capability r Static revision number (DI) <b>Note:</b> The revision number is incremented with each change of a static parameter in the block.
<b>DI FB:</b>	<b>TAG_DESC (2)</b> Storage class S; read/write capability r/w; supported modes O/M/A User-specific text for unique identification and assignment of the block <ul style="list-style-type: none"> <li>• Max. 32 characters, [no text]</li> </ul>
<b>DI FB:</b>	<b>UPDATE_EVT (18)</b> Storage class D; read capability r Indicates whether static block data have been changed, including date and time stamp

### Index and parameter assignment: DI Function Block

Index	Parameters
0	–
1	ST_REV
2	TAG_DESC
3	STRATEGY
4	ALERT_KEY
5	MODE_BLK
6	BLOCK_ERR
7	PV_D
8	OUT_D
9	SIMULATE_D
12	GRANT_DENY
13	IO_OPTS

Index	Parameters
14	STATUS_OPTS
15	CHANNEL
16	PV_FTIME
17	FIELD_VAL_D
18	UPDATE_EVT
19	BLOCK_ALM
20	ALARM_SUM
21	ACK_OPTIONS
22	DISC_PRI
23	DISC_LIM
24	DISC_ALM











SAMSON AG · MESS- UND REGELTECHNIK  
Weismüllerstraße 3 · 60314 Frankfurt am Main, Germany  
Phone: +49 69 4009-0 · Fax: +49 69 4009-1507  
samson@samson.de · www.samson.de

**KH 8387-5 EN**

2018-01-23 · English