

Type 3241 Globe Valve

Your contact details:

Title:

Name:

Company:

Customer no.

Street:

ZIP/postal code, city:

Country:

E-mail:

Phone:

Ordering spare parts

The spare parts for Type 3241 are listed on the next pages. This document can also be used for ordering:

1. Fill in your contact data and information on the product.
2. Enter the quantity of spare parts needed.
3. Click [Send form] button to attach the PDF form to an e-mail.
4. Attach additional information (e.g. invoice, photos) to the e-mail, if necessary.
5. Send e-mail to spareparts@samson.de.

Either

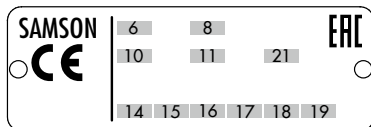
Configuration ID (Var-ID):

or

SAMSON order no.:

Position in order:

or



6

Type designation:

8

Material:

10

Valve size:

11

Pressure rating:

14

Flow coefficient:

15

Characteristic:

16

Seat-plug seal:

17

Seat code:

18

Pressure balancing:

19

Flow divider:

21

PSA version:

Version

Standard bonnet

With insulating section

With bellows seal

NACE

Oxygen

Industrial gases

Chlorine

Application

Send form

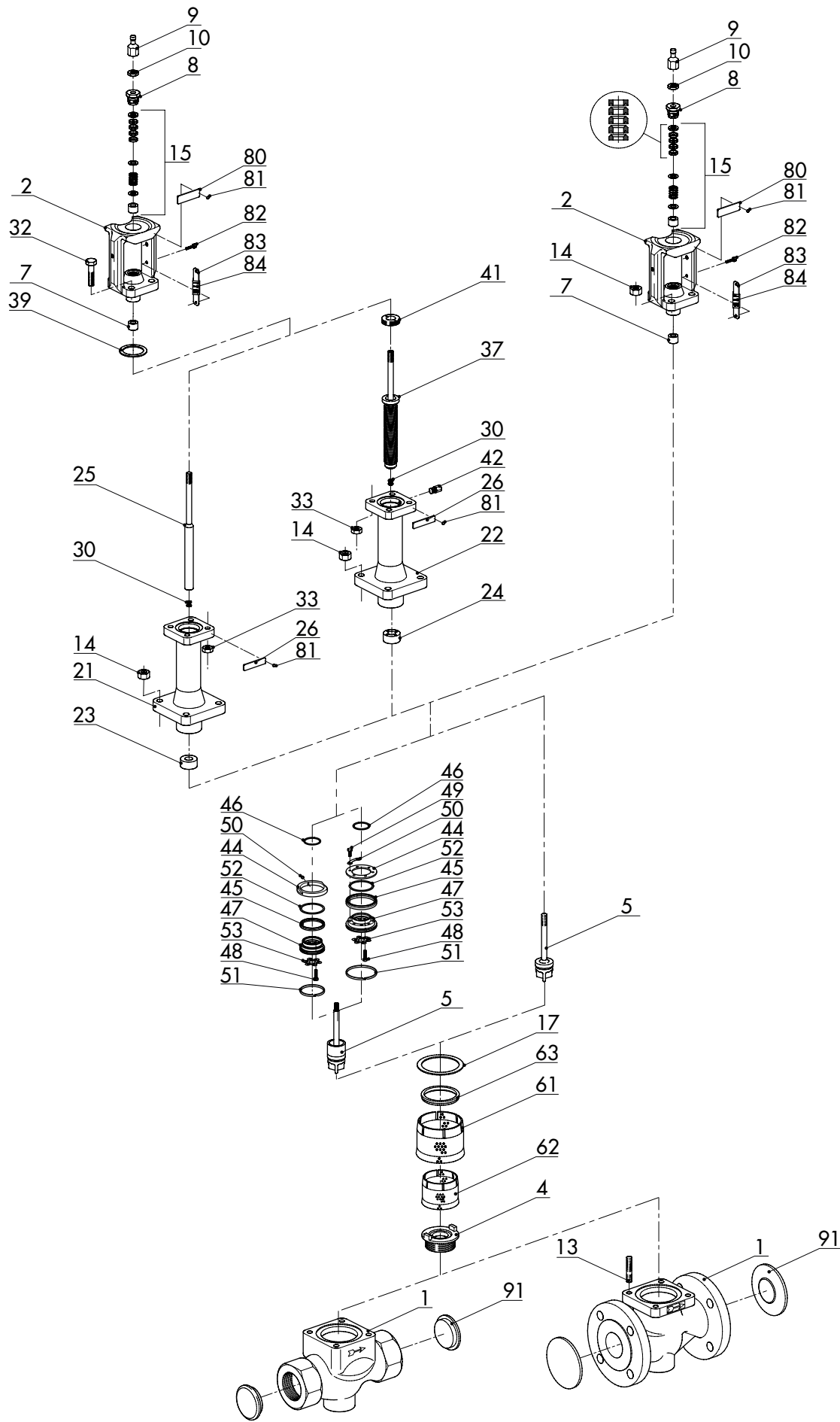
Print form

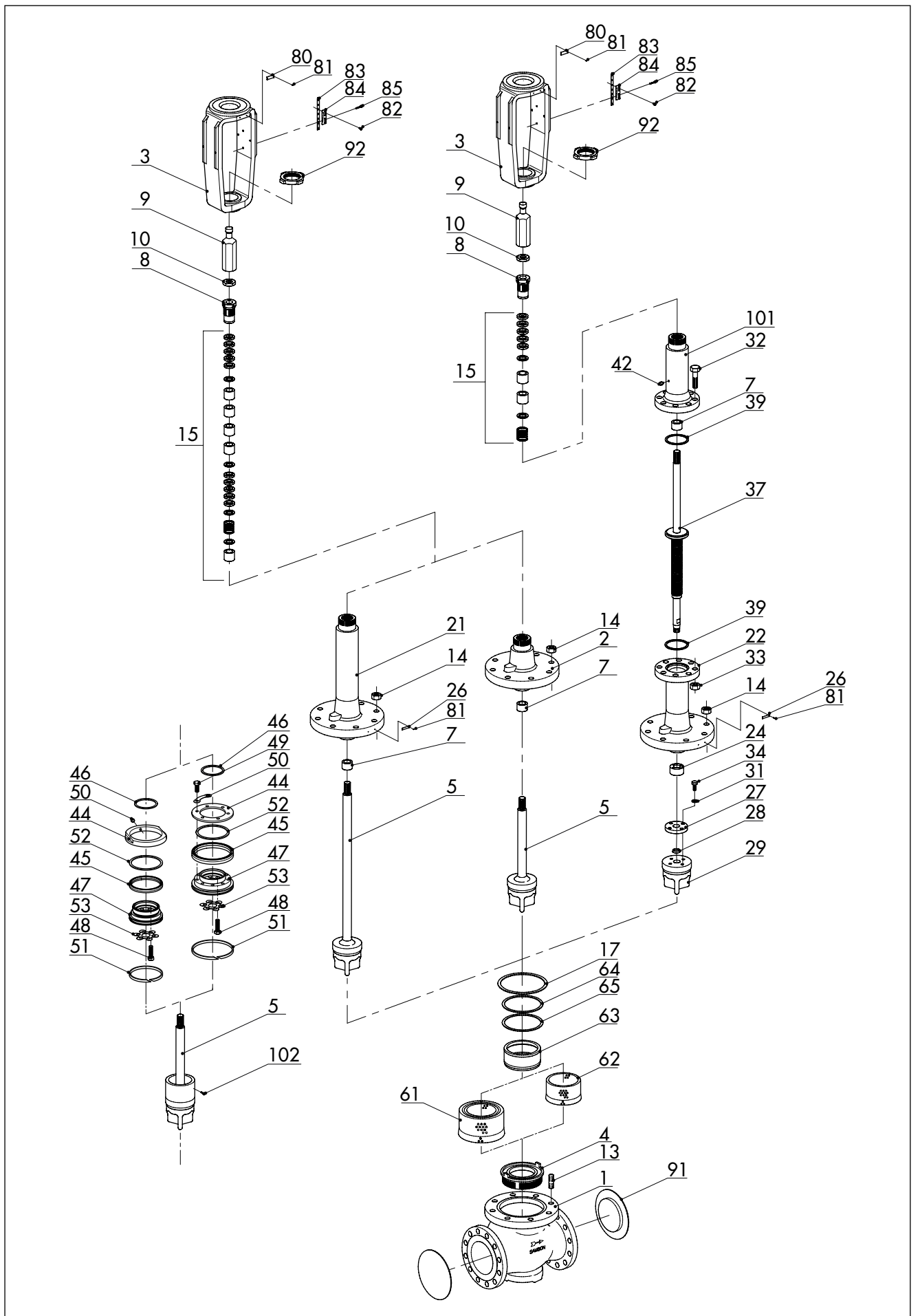
Clear form

Edition August 2017

Spare parts list

EL 8015 EN





Spare part no.	Qty.	Filled in by SAMSON: item number
1		
2		
3		
4		
5		
7		
8		
9		
10		
13		
14		
15		
17		
21		
22		
23		
24		
25		
26		
27		
28		
29		
30		
31		
32		
33		
34		
37		
39		
41		
42		
44		
45		

Spare part no.	Qty.	Filled in by SAMSON: item number
46		
47		
48		
49		
50		
51		
52		
53		
61		
62		
63		
64		
65		
80		
81		
82		
83/ 84		
85		
91		
92		
101		
102		

1) Version with balanced valve plug

2) Version with flow divider

Specifications subject to change without notice



SAMSON AG · MESS- UND REGELTECHNIK
 Weismüllerstraße 3 · 60314 Frankfurt am Main, Germany
 Phone: +49 69 4009-0 · Fax: +49 69 4009-1507
 samson@samson.de · www.samson.de

EL 8015 EN

2017-08-24 · English