

# Type 3248 Cryogenic Valve

DIN version

## Your contact details:

Title:

Name:

Company:

Customer no.

Street:

ZIP/postal  
code, city:

Country:

E-mail:

Phone:

## Ordering spare parts

The spare parts for Type 3248 are listed on the next pages. This document can also be used for ordering:

1. Fill in your contact data and information on the product.
2. Enter the quantity of spare parts needed.
3. Click [Send form] button to attach the PDF form to an e-mail.
4. Attach additional information (e.g. invoice, photos) to the e-mail, if necessary.
5. Send e-mail to spareparts@samson.de.

Either

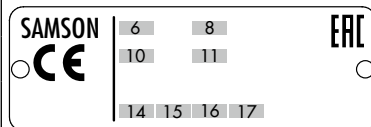
Configuration ID (Var-ID):

or

SAMSON order no.:

Position in order:

or



6

Type designation:

3248

8

Material:

10

Valve size:

11

Pressure rating:

14

Flow coefficient:

15

Characteristic:

16

Seat-plug seal:

17

Seat code:

Version

With bellows seal

Application

NACE

Oxygen

Industrial gases

Chlorine

Send form

Print form

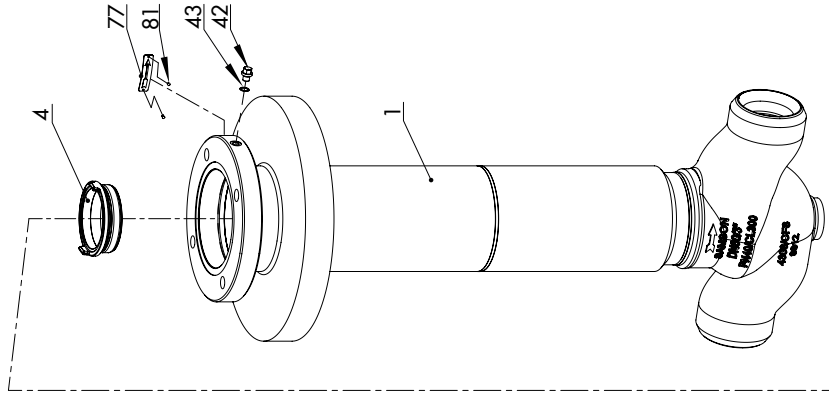
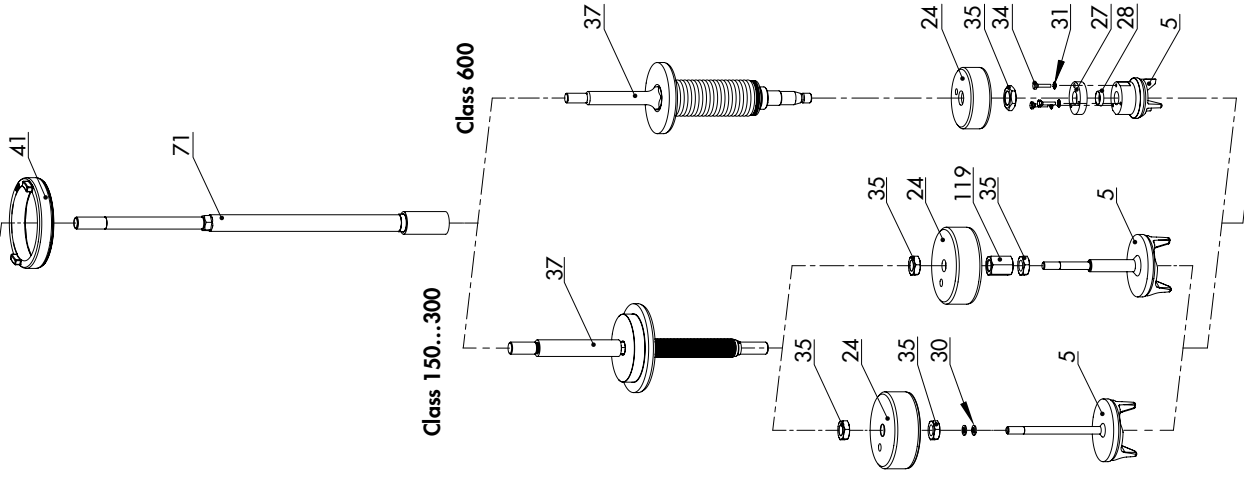
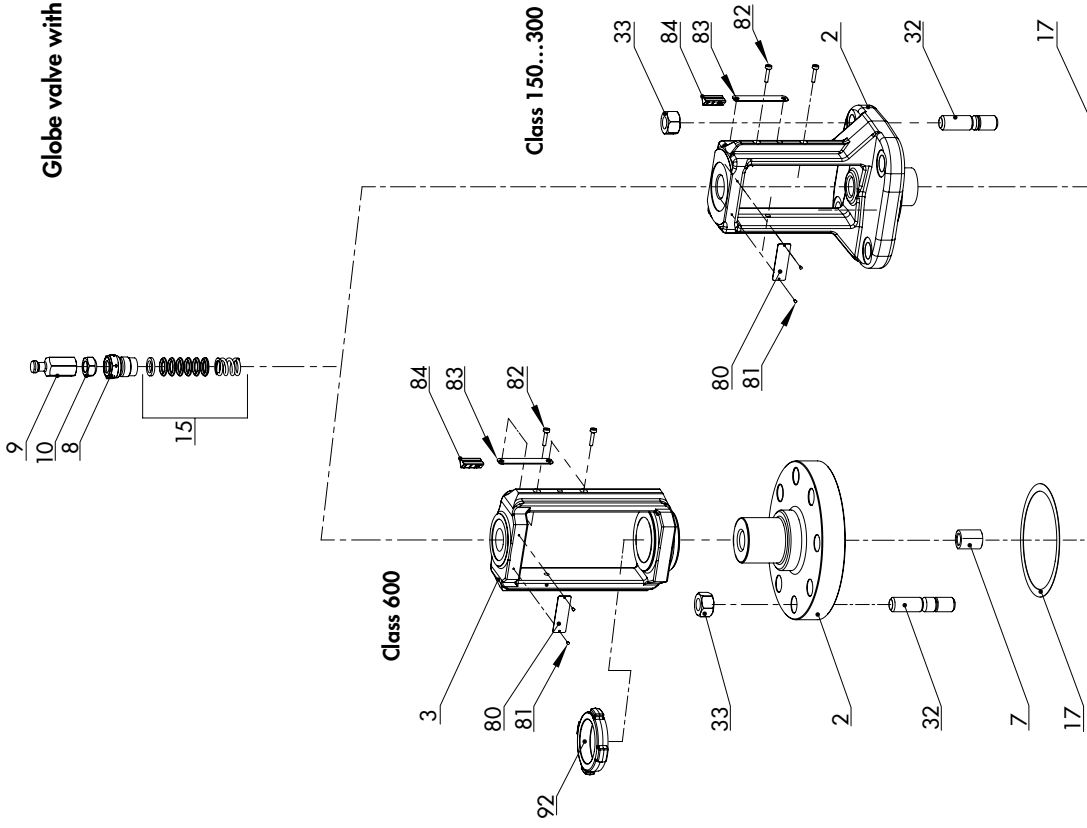
Clear form

Edition December 2017

Spare parts list

EL 8093 EN

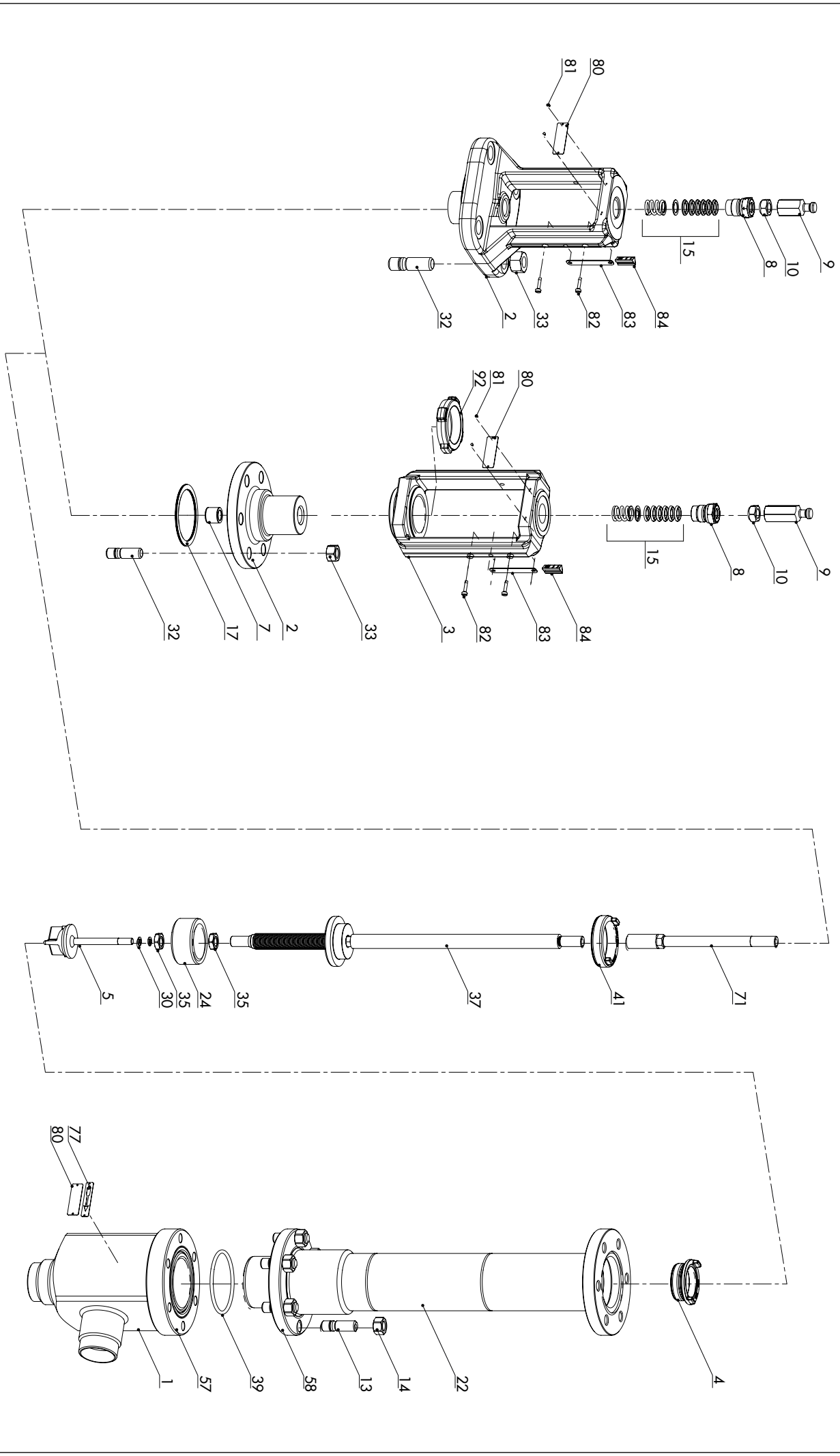
Globe valve with stainless steel body



DN 15...150/PN 16...40

DN 25...100/PN 16...40

Angle valve with aluminum body



Spare part no.	Qty.	Filled in by SAMSON: item number
1		
2		
3		
<b>4</b>		
<b>5</b>		
7		
<b>8</b>		
9		
10		
13		
14		
<b>15</b>		
<b>17</b>		
22		
<b>24</b>		
27		
28		
<b>30</b>		
31		
32		
33		
35		
<b>37</b>		
42		
43		
57		
58		
<b>71</b>		
77		

Spare part no.	Qty.	Filled in by SAMSON: item number
80		
81		
82		
83		
84		
92		
119		

Specifications subject to change without notice



SAMSON AG · MESS- UND REGELTECHNIK  
 Weismüllerstraße 3 · 60314 Frankfurt am Main, Germany  
 Phone: +49 69 4009-0 · Fax: +49 69 4009-1507  
 samson@samson.de · www.samson.de

**EL 8093 EN**

2018-02-02 · English