

Type 3248 Cryogenic Valve

ANSI version

Your contact details:

Title:

Name:

Company:

Customer no.

Street:

ZIP/postal code, city:

Country:

E-mail:

Phone:

Ordering spare parts

The spare parts for Type 3248 are listed on the next pages. This document can also be used for ordering:

1. Fill in your contact data and information on the product.
2. Enter the quantity of spare parts needed.
3. Click [Send form] button to attach the PDF form to an e-mail.
4. Attach additional information (e.g. invoice, photos) to the e-mail, if necessary.
5. Send e-mail to spareparts@samson.de.

Either

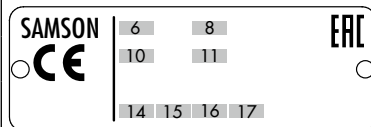
Configuration ID (Var-ID):

or

SAMSON order no.:

Position in order:

or



6

Type designation:

3248

8

Material:

10

Valve size:

11

Pressure rating:

14

Flow coefficient:

15

Characteristic:

16

Seat-plug seal:

17

Seat code:

Version

With bellows seal

Application

NACE

Oxygen

Industrial gases

Chlorine

Send form

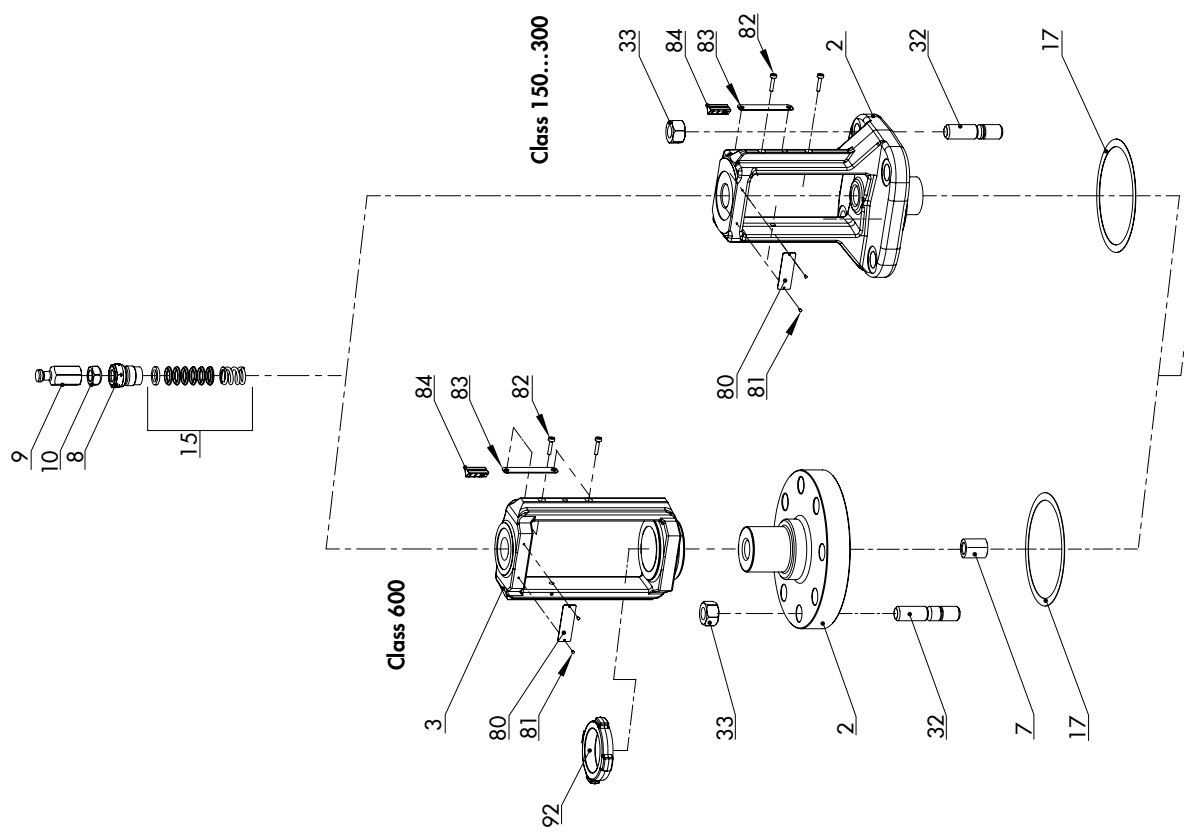
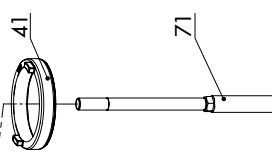
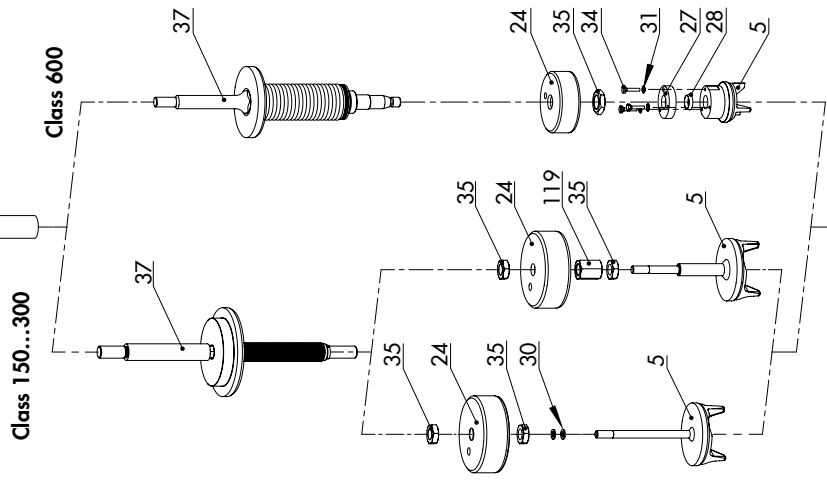
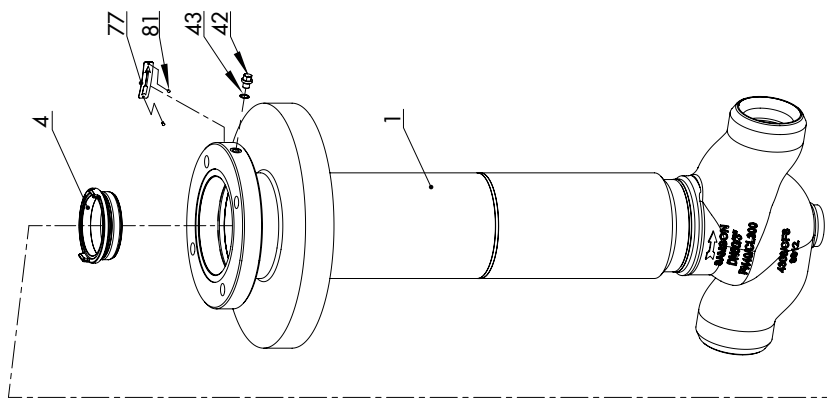
Print form

Clear form

Edition December 2017

Spare parts list

EL 8093-1 EN



Spare part no.		Qty.	Filled in by SAMSON: item number
1	Body		
2	Valve bonnet		
3	Yoke		
4	Seat		
5	Plug (with plug stem)		
7	Guide bushing		
8	Threaded bushing (packing nut)		
9	Stem connector nut		
10	Lock nut		
15	Packing		
17	Bonnet gasket		
22	Bellows seal		
24	Guide bushing		
27	Flange		
28	Clamping ring		
30	Retaining washers		
31	Washer		
32	Hexagon bolt		
33	Nut		
35	Lock nut		
37	Plug stem with metal bellows		
42	Screw plug (test connection)		
43	Seal		
71	Spacer stem		
77	Plate (direction of flow)		
80	Nameplate		
81	Grooved pin		
82	Cap screw		
83	Hanger		
84	Travel indicator scale		
92	Castellated nut		
119	Support nut		

Specifications subject to change without notice



SAMSON AG · MESS- UND REGELTECHNIK
Weismüllerstraße 3 · 60314 Frankfurt am Main, Germany
Phone: +49 69 4009-0 · Fax: +49 69 4009-1507
samson@samson.de · www.samson.de

EL 8093-1 EN

2018-02-05 · English