

# Spare parts list for Type 3271/3277 (120 cm<sup>2</sup>)

## Your contact details:

Title:

Name:

Company:

Customer no.

Street:

ZIP/postal  
code, city:

Country:

E-mail:

Phone:

## Ordering spare parts

The spare parts for Type 3271/3277 (120 cm<sup>2</sup>) are listed on the next pages. This document can also be used for ordering:

1. Fill in your contact data and information on the product.
2. Enter the quantity of spare parts needed.
3. Click [Send form] button to attach the PDF form to an e-mail.
4. Attach additional information (e.g. invoice, photos) to the e-mail, if necessary.
5. Send e-mail to [spareparts@samson.de](mailto:spareparts@samson.de).

Either

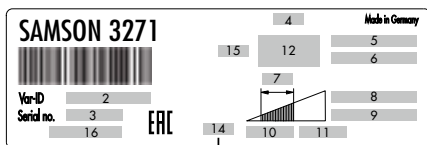
Configuration ID (Var-ID):

or

SAMSON order no.:

Position in order:

or



Type designation:

3 Serial number

4 Actuator area

120 cm<sup>2</sup>

5 and 6 Bench range in bar and psi

7 Operating travel in mm

8 and 9 Operating range in bar and psi

10 and 11 Permissible supply pressure

$p_{max}$  in bar or psi

12 Fail-safe action

14 Connecting thread

15 Diaphragm material

16 Date of manufacture

Operating medium

Send form

Print form

Clear form

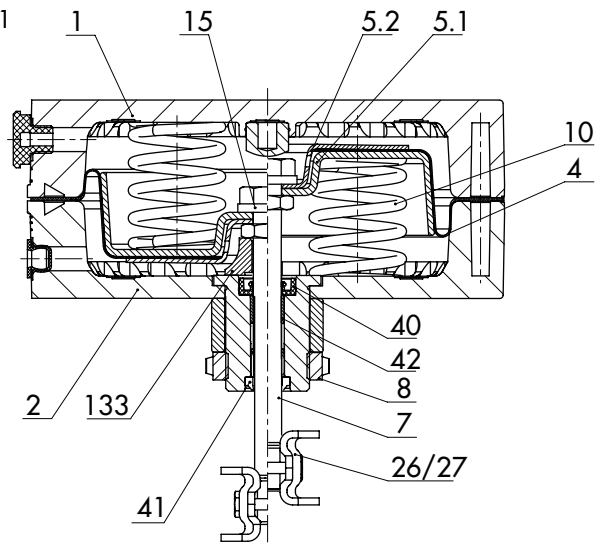
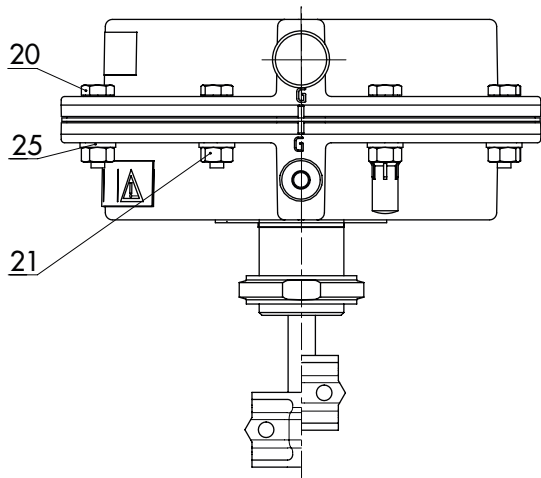
Edition January 2018

Spare parts list

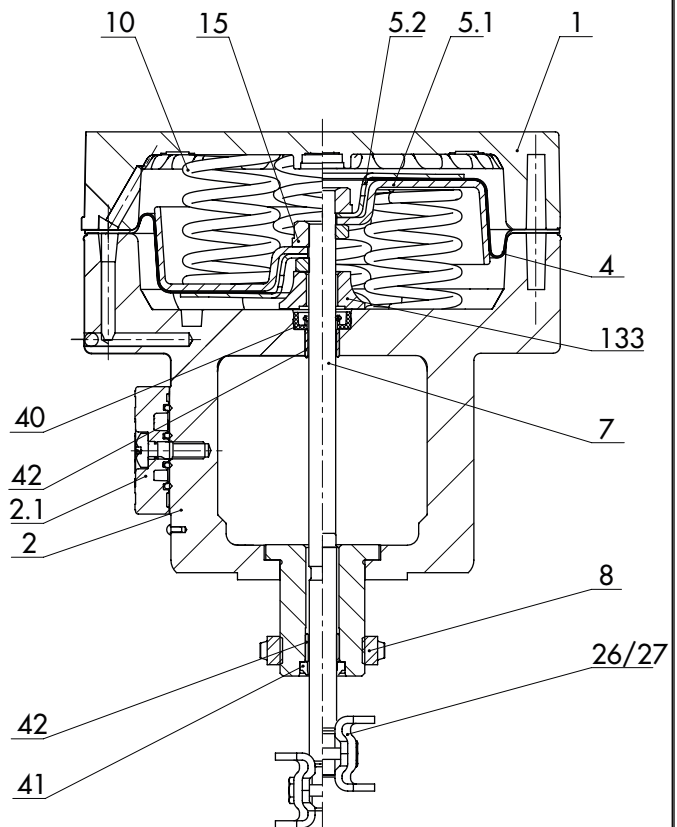
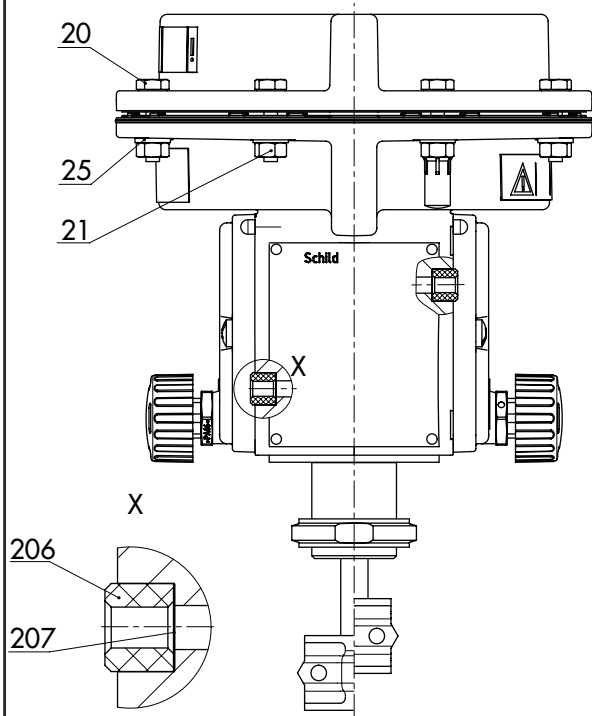
EL 8310-1 EN

Standard version

Type 3271

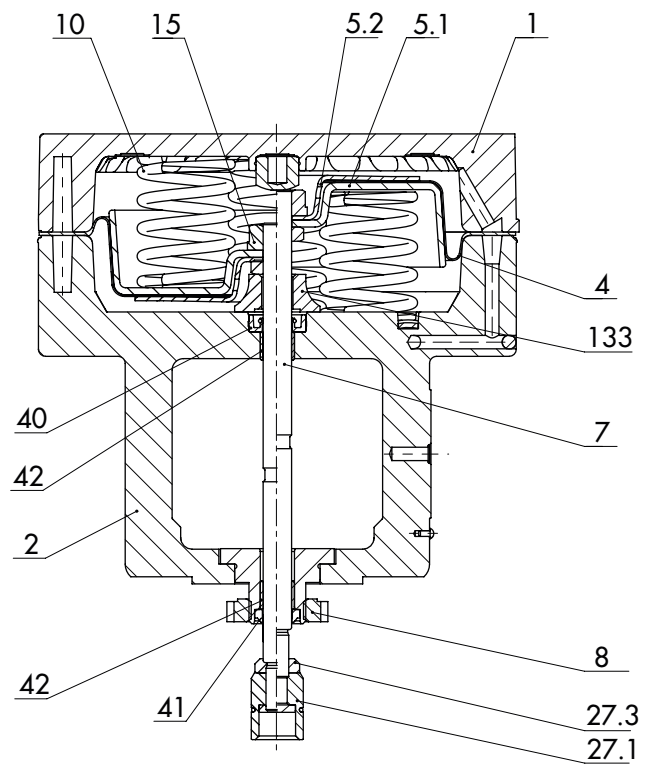
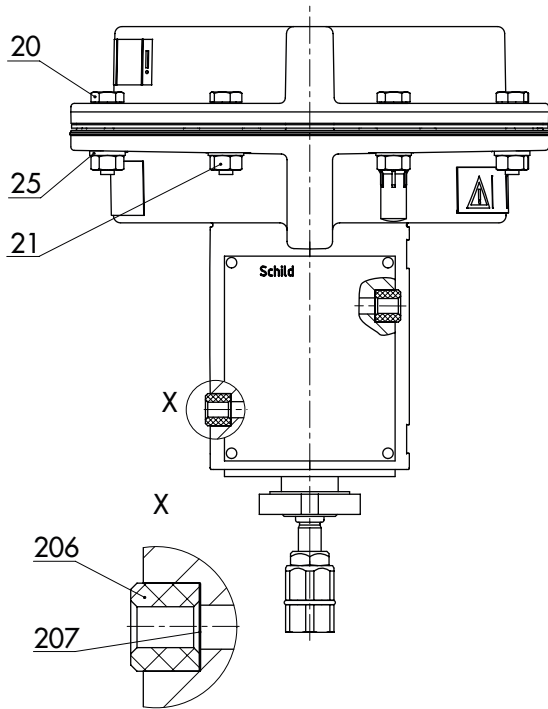
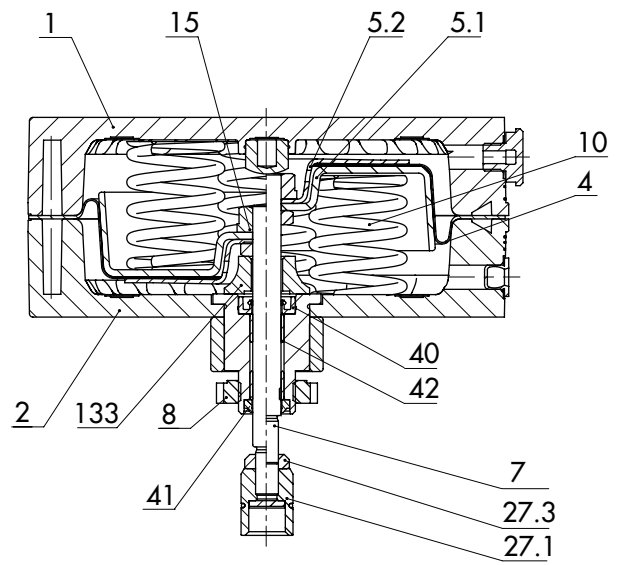
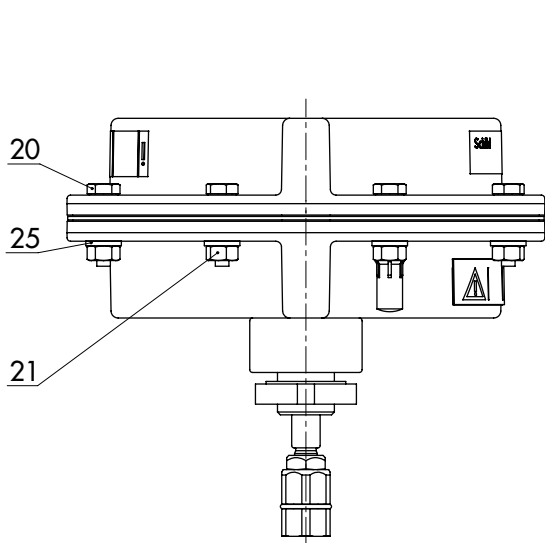


Type 3277



Micro-flow valve version

Type 3271



Type 3277

Spare part no.	Qty.	Filled in by SAMSON: item number
1 Top diaphragm case		
2 Bottom diaphragm case		
2.1 Switchover or connecting plate <sup>1)</sup>		
<b>4 Diaphragm</b>		
5.1 Diaphragm plate		
5.2 Diaphragm plate		
7 Actuator stem		
8 Ring nut		
10 Spring		
<b>15 Collar nut</b>		
20 Hexagon screw		
21 Hexagon nut		
25 Washer		
26 Stem connector clamp		
27 Stem connector clamp		
27.1 Stem connector nut <sup>2)</sup>		
27.3 Lock nut <sup>2)</sup>		
<b>40 Radial shaft seal</b>		
<b>41 Wiper ring</b>		
<b>42 Dry bearing</b>		
133 Stop bushing		
<b>206 Seal</b>		
<b>207 Filter</b>		

<sup>1)</sup> Type 3277 only

<sup>2)</sup> Version for micro-flow valve only

Specifications subject to change without notice



SAMSON AG · MESS- UND REGELTECHNIK  
 Weismüllerstraße 3 · 60314 Frankfurt am Main, Germany  
 Phone: +49 69 4009-0 · Fax: +49 69 4009-1507  
 samson@samson.de · www.samson.de

**EL 8310-1 EN**

2018-02-05 · English