

# Spare parts list for Type 3271 (1400-60 cm<sup>2</sup>)

## Your contact details:

Title:

Name:

Company:

Customer no.

Street:

ZIP/postal  
code, city:

Country:

E-mail:

Phone:

## Ordering spare parts

The spare parts for Type 3271 (1400-60 cm<sup>2</sup>) are listed on the next pages. This document can also be used for ordering:

1. Fill in your contact data and information on the product.
2. Enter the quantity of spare parts needed.
3. Click [Send form] button to attach the PDF form to an e-mail.
4. Attach additional information (e.g. invoice, photos) to the e-mail, if necessary.
5. Send e-mail to [spareparts@samson.de](mailto:spareparts@samson.de).

Either

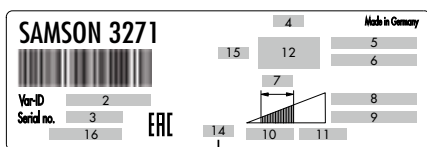
Configuration ID (Var-ID):

or

SAMSON order no.:

Position in order:

or



Type designation:

3271

3 Serial number

4 Actuator area

1400-60 cm<sup>2</sup>

5 and 6 Bench range in bar and psi

7 Operating travel in mm

8 and 9 Operating range in bar and psi

10 and 11 Permissible supply pressure  $p_{max}$  in bar or psi

12 Fail-safe action

14 Connecting thread

15 Diaphragm material

16 Date of manufacture

Operating medium

Send form

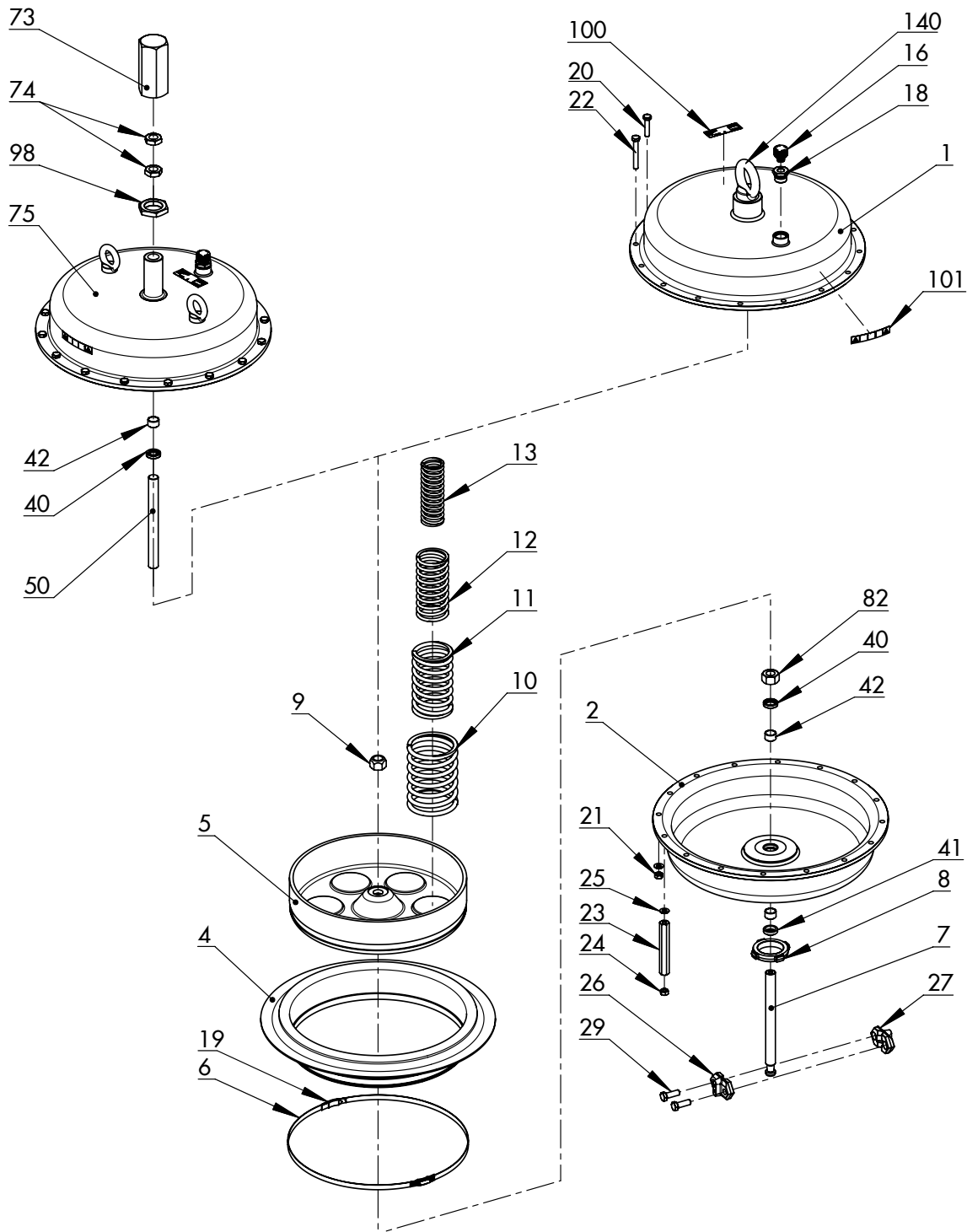
Print form

Clear form

Edition January 2018

Spare parts list

EL 8310-3 EN



Spare part no.	Qty.	Filled in by SAMSON: item number
1		
2		
<b>4</b>		
<b>Diaphragm</b>		
5		
Diaphragm plate		
<b>6</b>		
<b>Hose clamp</b>		
7		
Actuator stem		
8		
Ring nut		
9		
Hexagon nut		
10		
Spring (external)		
11		
Spring (internal)		
12		
Spring (internal)		
13		
Spring (internal)		
<b>16</b>		
<b>Vent plug</b>		
18		
Screw fitting		
19		
Compressor on the hose clamp (6)		
20		
Hexagon bolt		
21		
Hexagon nut		
22		
Hexagon bolt (preloading)		
23		
Hexagon nut (preloading)		
24		
Blanking plug		
25		
Washer		
26		
Stem connector clamp		
27		
Stem connector clamp		
29		
Hexagon bolt		
<b>40</b>		
<b>Radial shaft seal</b>		
<b>41</b>		
<b>Wiper ring</b>		
<b>42</b>		
<b>Dry bearing</b>		
50		
Actuator stem		
73		
Cover		
74		
Hexagon nut		
75		
Top diaphragm case		
82		
Retaining nut		
87		
Distance piece <sup>1)</sup>		

Spare part no.	Qty.	Filled in by SAMSON: item number
98		
Slotted round nut		
100		
Nameplate		
101		
Label (preloading)		
140		
Ring bolt		

1) "Stem retracts" direction of action only

Specifications subject to change without notice



SAMSON AG · MESS- UND REGELTECHNIK  
Weismüllerstraße 3 · 60314 Frankfurt am Main, Germany  
Phone: +49 69 4009-0 · Fax: +49 69 4009-1507  
samson@samson.de · www.samson.de

**EL 8310-3 EN**

2018-02-05 · English