

# Spare parts list for Type 3271/3277 (355v2 cm<sup>2</sup>)

## Your contact details:

Title:

Name:

Company:

Customer no.

Street:

ZIP/postal  
code, city:

Country:

E-mail:

Phone:

## Ordering spare parts

The spare parts for Type 3271/3277 (355v2 cm<sup>2</sup>) are listed on the next pages. This document can also be used for ordering:

1. Fill in your contact data and information on the product.
2. Enter the quantity of spare parts needed.
3. Click [Send form] button to attach the PDF form to an e-mail.
4. Attach additional information (e.g. invoice, photos) to the e-mail, if necessary.
5. Send e-mail to [spareparts@samson.de](mailto:spareparts@samson.de).

Either

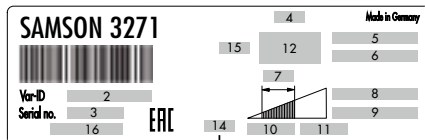
Configuration ID (Var-ID):

or

SAMSON order no.:

Position in order:

or



Type designation:

3 Serial number

4 Actuator area

355v2 cm<sup>2</sup>

5 and 6 Bench range in bar and psi

7 Operating travel in mm

8 and 9 Operating range in bar and psi

10 and 11 Permissible supply pressure  $p_{max}$  in bar or psi

12 Fail-safe action

14 Connecting thread

15 Diaphragm material

16 Date of manufacture

Operating medium

Send form

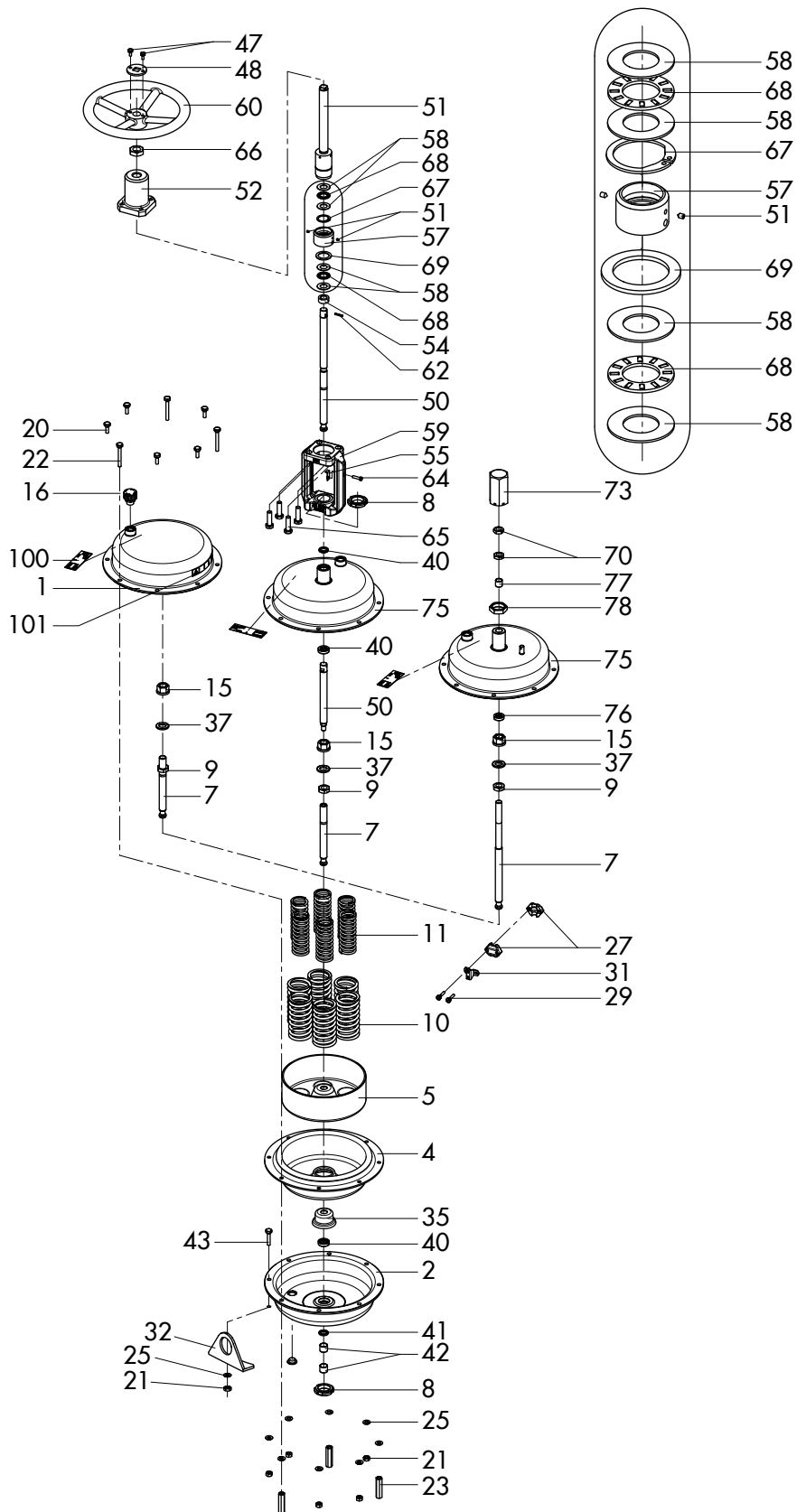
Print form

Clear form

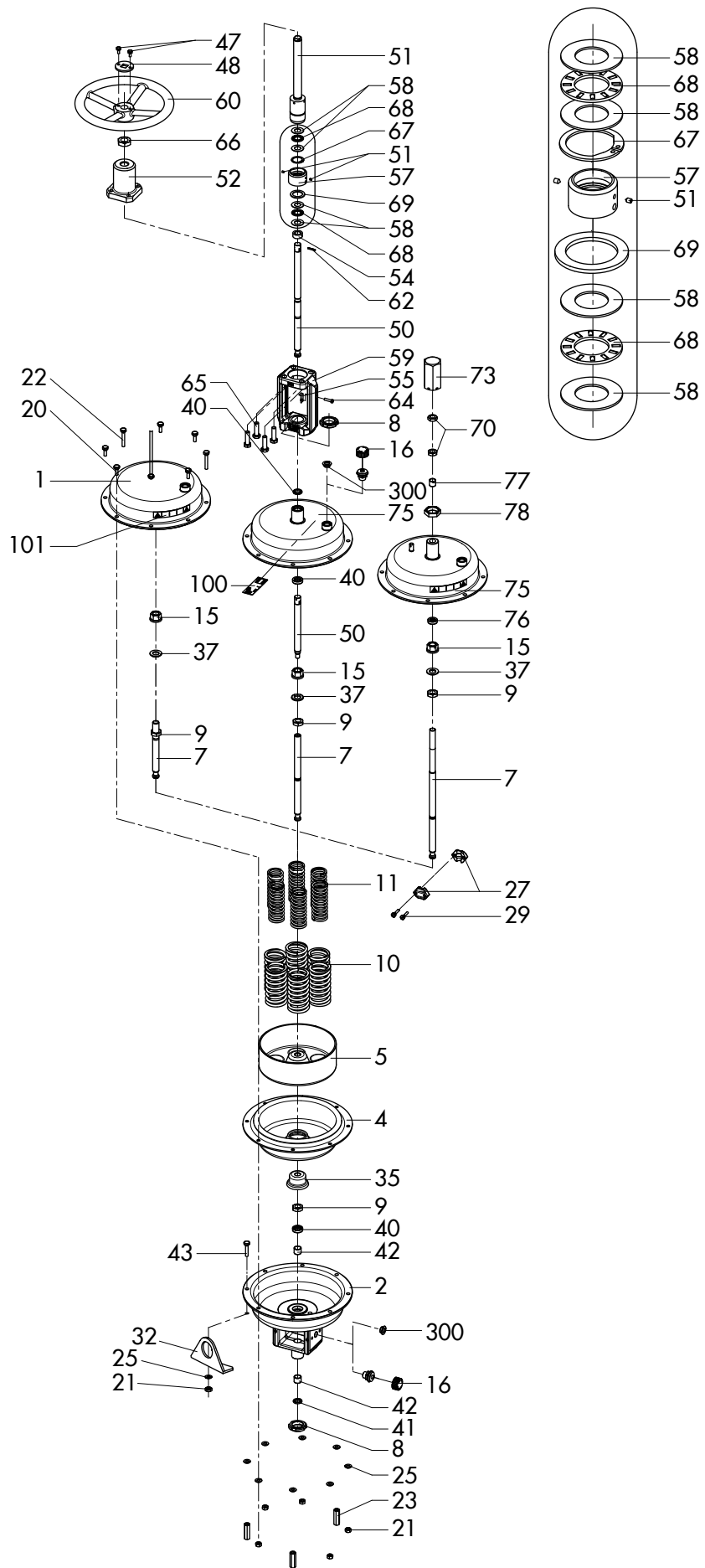
Edition January 2018

Spare parts list

EL 8310-4 EN



Type 3271



Type 3277

Spare part no.	Qty.	Filled in by
		SAMSON: item number
1		
2		
<b>4</b>		
5		
7		
8		
9		
10		
11		
<b>15</b>		
<b>16</b>		
20		
21		
22		
23		
25		
27		
29		
31		
32		
<b>35</b>		
37		
<b>40</b>		
<b>41</b>		
<b>42</b>		
43		
47		
48		
50		
51		
52		
54		
57		
<b>58</b>		

Spare part no.	Qty.	Filled in by
		SAMSON: item number
59		
60		
61		
62		
63		
64		
66		
<b>67</b>		
<b>68</b>		
69		
70		
73		
75		
<b>76</b>		
<b>77</b>		
78		
100		
101		
300		

<sup>1)</sup> Not included in the standard scope of delivery.

Specifications subject to change without notice



SAMSON AG · MESS- UND REGELTECHNIK  
 Weismüllerstraße 3 · 60314 Frankfurt am Main, Germany  
 Phone: +49 69 4009-0 · Fax: +49 69 4009-1507  
 samson@samson.de · www.samson.de

**EL 8310-4 EN**

2018-02-05 · English