

Series 2371 Pressure Regulators

Pressure Reducing Valves for the food and pharmaceutical industries

Type 2371-10 · Pneumatic set point adjustment

Type 2371-11 · Manual set point adjustment



Application

Pressure reducing valves for the food and pharmaceutical industries

Set point ranges 0.4 to 6 bar (6 to 90 psi) · K_{VS} 0.1 to 16 (C_V 0.12 to 20) · DN 15 to 50 (NPS ½ to 2) · Suitable for liquids and gases from 0 to +160 °C (32 to 320 °F) · Max. operating pressure (inlet pressure) 10 bar (150 psi)

The valve closes when the output pressure rises.



Special features

- Proportional pressure regulators for use in the food processing and pharmaceutical industries
- Wetted inside surfaces with a surface roughness $R_a \leq 0.8 \mu\text{m}$; outside surface glass bead blasted
- Stainless steel 1.4404 (316L) or 1.4409 (CF3M)
- FDA-compliant materials
- Angle body
- Body free of dead spaces
- Leakage monitoring of the diaphragm

Version

Pressure reducing valve with diaphragm to control the outlet pressure to the set point adjusted by a spring. The set point adjustment in Type 2371-10 is pneumatic ¹⁾.

The set point of Type 2371-11 is adjusted manually by tensioning the set point spring. Angle valve · Bar stock version DN 15 to 50 (NPS ½ to 2) · Standard with metal-seated plug or optionally with soft-seated special plug · Maximum pressure 10 bar (150 psi).

The regulator can be fitted with a stem locking facility to keep the plug open during CIP (Cleaning in Place) or SIP (Sterilization in Place).

Diaphragm leakage monitoring using a test connection · Body free of cavities allows the valve to be cleaned inside properly.

Connections

Threaded connections: DIN 11864-1 GS Form A, Series A, B, C/DIN 11887 A Series 1/ISO 2853 = IDF/SMS 1146

Clamp connections: DIN 11864-3 NKS Form A, Series A, B, C/DIN 32676 Series A, B, C/ISO 2852/BS 4825 Part 3 = ASME BPE

Flanges: DIN 11864-2 NF Form A, Series A, B, C

Special versions

Material: body and plug in 1.4435, other materials on request

Valve size: DN 50 body with DN 65 connections

Plug seal: pure PEEK (Victrex® 450G)

¹⁾ External supply air (e.g. compressed air) required.

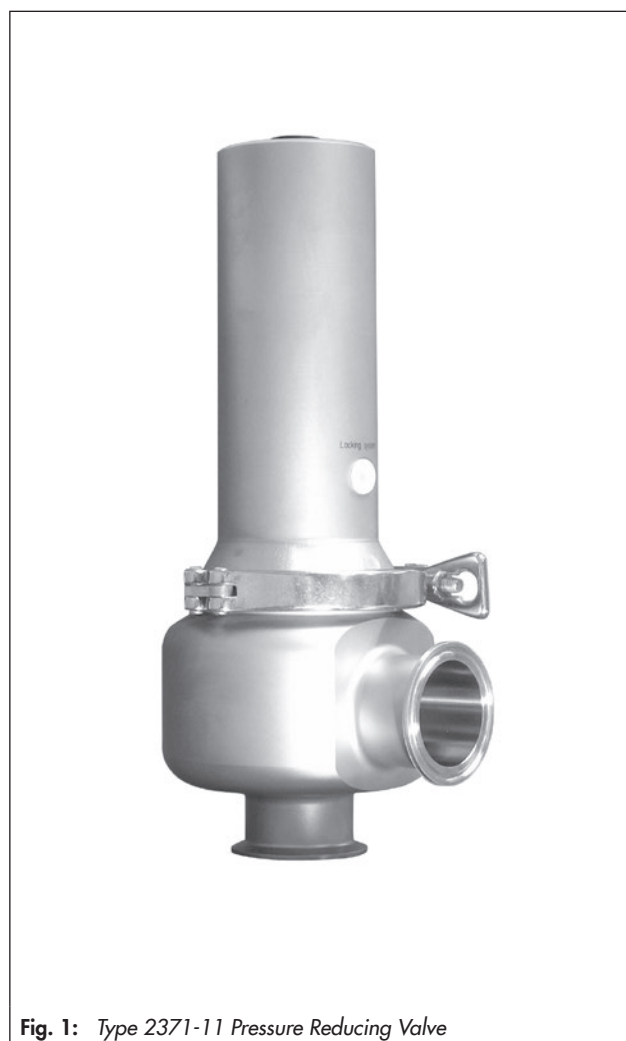


Fig. 1: Type 2371-11 Pressure Reducing Valve

Surface finish: inside roughness: $R_a \leq 0.6$ (polished) or $R_a \leq 0.4$ (satin finish or mirror finish); external roughness: $R_a \leq 0.6$ (polished)

End connections: flanges DIN EN 1092-1 B2, ASME B16.5 Class 150, other end connections on request

Principle of operation (see Fig. 2 and Fig. 3)

The medium flows through the valve body (1) in the direction indicated by the arrow. The position of the plug (3) determines the flow rate across the area released between plug and valve seat (2).

The valve closes when the downstream pressure (p_2) rises above the adjusted set point. The resulting output pressure p_2 depends on the flow rate.

Any medium escaping from the test connection (11) indicates that the operating diaphragm (4) may be leaking or the diaphragm has ruptured. The test connection of Type 2371-10 is connected to a flexible pipe elbow to discharge any medium escaping.

Type 2371-11: version with manual set point adjustment (see section Fig. 2)

In the idle state, the valve is kept open by the set point springs (7). The valve closes when the output pressure p_2 acting on the diaphragm (4) and the resulting force exceed the force of the springs.

The set point is adjusted using an Allen key (8 mm), which is inserted through the adjustment opening (6.1) on top of the housing onto the set point screw (6). The blanking plug must first be removed. If necessary, the set point screw can be secured by the locking screw (12) in the upper plug section to prevent the set point screw from loosening due to vibrations, causing the set point to change.

The washer (15) serves as a bottom end stop to protect the diaphragm from overload and to prevent parts from falling apart inadvertently while the regulator is being dismantled.

Turning the set point screw clockwise causes the spring plate (7.1) to move upwards and increases the spring force and the set point. Turning the set point screw counterclockwise relieves the spring tension and reduces the set point.

Type 2371-10: version with pneumatic set point adjustment (see Fig. 3)

In the idle state, the valve is kept open by the set point pressure p_c (compressed air) ($p_{c, \max} = 8 \text{ bar}$). When the force created by the output pressure p_2 acting on the diaphragm exceeds the force resulting from the set point pressure p_c , the plug (3) moves towards the seat (2), closing the passage. In this case, the ratio between p_1 and p_c is not necessarily 1:1. As the output pressure p_2 drops, the resulting force reduces again. The valve is opened again when the pressure falls below the set point pressure p_c .

The two diaphragms (4.1) provide a certain amount of safety when one of the diaphragms ruptures and prevents the process medium and external pressure medium from mixing.

The screw (12) prevents parts from falling apart inadvertently while the regulator is being dismantled.

The screw (15) serves as a bottom end stop to protect the diaphragm from overload and to prevent parts from falling apart inadvertently while the regulator is being dismantled.

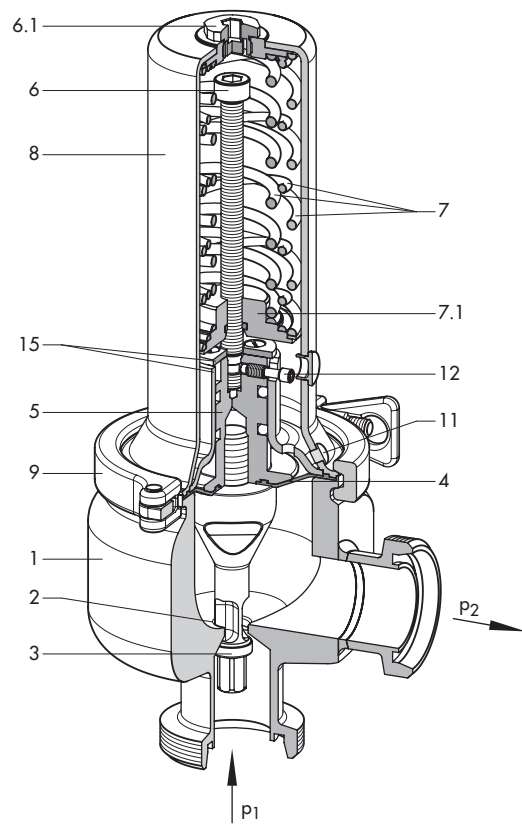


Fig. 2: Principle of operation: Type 2371-11 (manual set point adjustment)

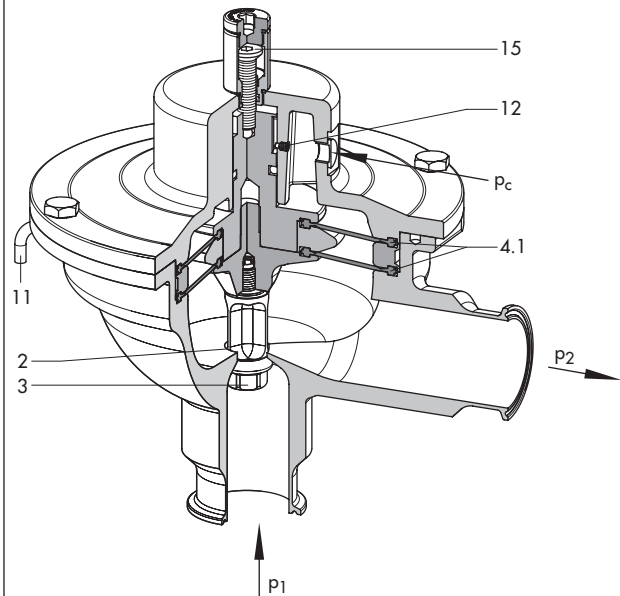


Fig. 3: Principle of operation: Type 2371-10 (pneumatic set point adjustment)

Stem locking for CIP or SIP (see Fig. 4)

Type 2371-10 and Type 2371-1 can be fitted with a stem locking to keep the plug in the open position. This allows the regulator to be cleaned (CIP or SIP) while the valve is open.

The stem can be locked in place pneumatically by an additional pneumatic unit with compressed air connection (for Types 2371-10 and 2371-11) or manually using a special pin (for Type 2371-11 only).

The pneumatic and manual stem locking do not affect the control function of the valve, provided the stem locking is not engaged.

The pneumatic unit for the pneumatic stem locking is located on the top of the regulator. The unit can be mounted in any position since the axial fixture of the unit allows it to turn 360°.

The pin (13) of the manual stem locking is screwed into the adjustment opening in place of the blanking plug (6.1).

Pneumatic stem locking (see Fig. 4.1 and Fig. 4.2)

Type 2371-10: to open the valve, apply a pressure $p_V = 1$ bar to the pneumatic unit. This causes the plug stem to move together with the plug out of the valve seat. A set point pressure p_C must not be applied to the regulator in this case.

To switch the valve back to its control function, remove the pressure $p_V (= 1 \text{ bar})$. The spring (16) pulls the actuating unit back, allowing the plug stem to move again for the control task (see Fig. 4.2).

Type 2371-11: to open the valve, apply a pressure $p_V (= 6 \text{ bar})$ to the pneumatic unit. This causes the plug stem to move together with the plug out of the valve seat and opens the valve.

To switch the valve back to its control function, remove the pressure $p_V (= 6 \text{ bar})$. The spring (16) pulls the actuating unit back, allowing the plug stem to move again for the control task (see Fig. 4.2).

Manual stem locking

Type 2371-11 only (see Fig. 4.3): to lock the stem into place, screw the pin (13) into the opening on top of the actuator housing in place of the blanking plug (6.1). The end of the pin comes to rest on the head of the set point screw (6). As the pin is screwed into the valve, it pushes the plug into the open position over the set point screw (6) and upper plug section (5). A mechanical stop (15) prevents it from being screwed in any further, protecting the diaphragm from overstretching or rupturing.

Use the lock nut (14) to keep this position. When the groove of the pin is completely concealed, the stem locking is active, whereas a visible groove means it is disengaged.

Installation

The regulator has an angle-style valve body. Install the valve free of stress into the pipeline. Observe the following:

- The valve axis must be vertical (actuator housing on top) and, as a result, the outlet must face to the side in the installed position.

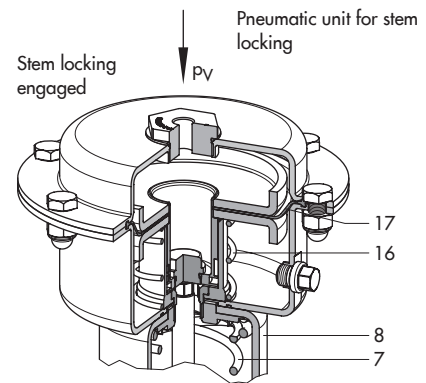


Fig. 4.1: Pneumatic stem locking: Type 2371-10/-11

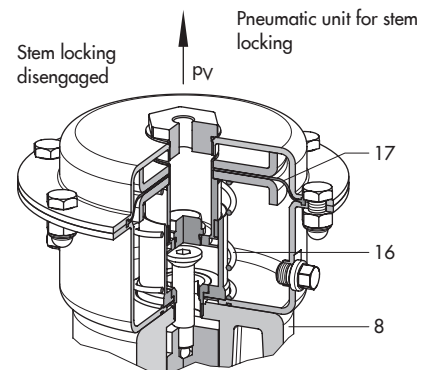


Fig. 4.2: Pneumatic stem locking: Type 2371-10/-11

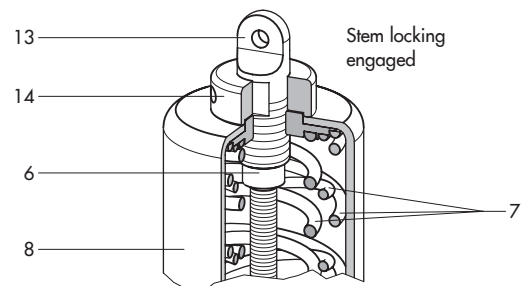


Fig. 4.3: Manual stem locking: Type 2371-11

p_V Pressure for stem locking
 p_C Set point pressure, external

Fig. 4: Stem locking

- The direction of flow must match the direction indicated by the arrow on the body (inlet at the bottom and outlet at the side).

Table 1: Technical data · All pressures (gauge)

Types 2371-10/-11 Pressure Reducing Valve			DIN						ANSI					
Valve size			DN 15	DN 20	DN 25	DN 32	DN 40	DN 50	NPS ½	NPS ¾	NPS 1	NPS 1¼	NPS 1½	NPS 2
Set point ranges	Type 2371-10	K_{VS} 10 (C_V 12)	-			0.5 to 6 bar			-			7.5 to 90 psi		
		K_{VS} 16 (C_V 20)				2.5 to 6 bar						37.5 to 90 psi		
Type 2371-11		0.4 to 1.2 bar · 1 to 3 bar · 2.5 to 4.5 bar 4 to 6 bar						6 to 18 psi · 15 to 45 psi · 35 to 65 psi · 60 to 90 psi						
Maximum pressure			10 bar						150 psi					
Max. perm. temperatures	Operating temperature		0 to +160 °C						32 to 320 °F					
	Sterilizing temperature		180 °C for up to 30 minutes						356 °F for up to 30 minutes					
Leakage class DIN EN/ANSI	Metal seal		Class I (≤ 0.05 % of K_{VS}/C_V coefficient)											
	Soft seal		Class IV (≤ 0.01 % of K_{VS}/C_V coefficient)											
Peak-to-valley height and surface finish	External		Glass bead blasted ¹⁾ · $R_a \leq 0.6$ µm, polished											
	Internal		$R_a \leq 0.8$ µm, precision-lathed ¹⁾ · $R_a \leq 0.6$ µm, polished · $R_a \leq 0.4$ µm, satin finish · $R_a \leq 0.4$ µm, mirror finish											

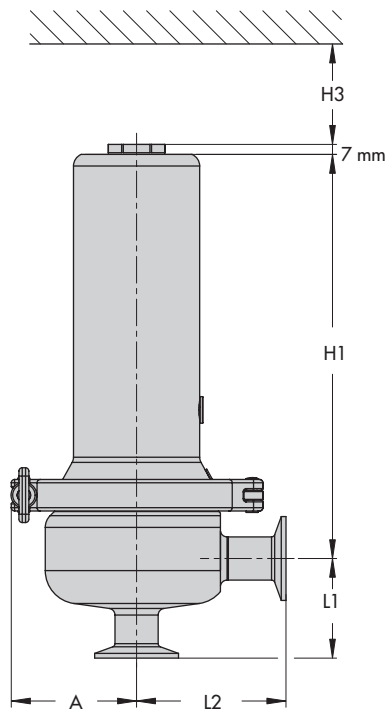
¹⁾ Standard version**Table 2: K_{VS} and C_V coefficients**

Type 2371-10													
Version	DIN (K_{VS} coefficient)						ANSI (C_V coefficient)						
Valve size	DN 15	DN 20	DN 25	DN 32	DN 40	DN 50	NPS ½	NPS ¾	NPS 1	NPS 1¼	NPS 1½	NPS 2	
K_{VS}/C_V	-			10			-			12			
Type 2371-11													
K_{VS}/C_V : standard	2	3	3.5	4	4.5	5.2	2.5	3.5	4	5	5.3	6	
K_{VS}/C_V : reduced	0.1 to 1 (0.63 ¹⁾)			2			0.12 to 1.2 (0.75 ¹⁾)			2.5			

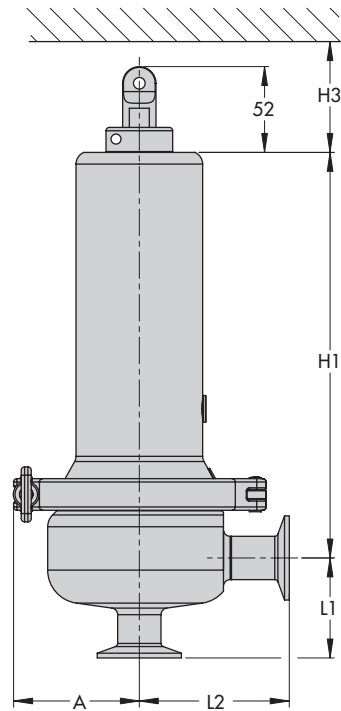
¹⁾ Plug with soft seal**Table 3: Materials · Material numbers according to ASTM and DIN EN**

Pressure reducing valve	Type 2371-10				Type 2371-11			
	DIN		ANSI		DIN		ANSI	
Bodies	1.4409		CF3M		1.4404		316L	
Plug	Metal seal		316L		1.4404		316L	
	Seal for soft-seated plug		EPDM					
Diaphragm	EPDM, PTFE-coated							
Cover	1.4409		CF3M		1.4404		316L	
Springs	1.4310							

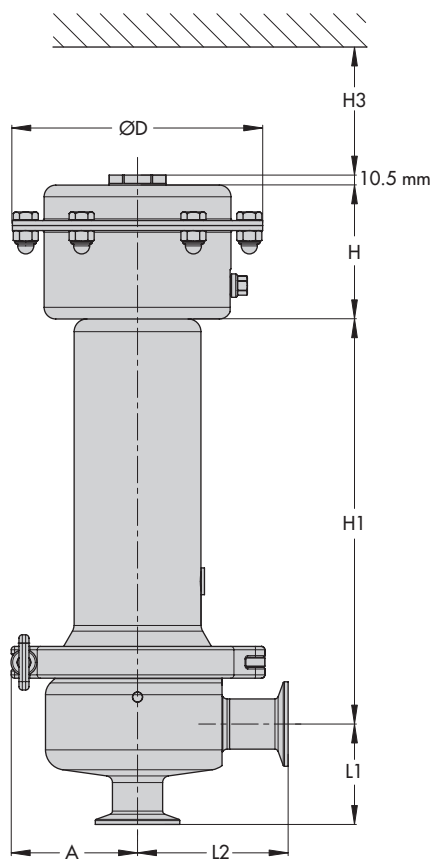
Dimensions of Type 2371-11 (dimensions in Table 4 to Table 7)



Type 2371-11 · Standard version



Type 2371-11 · With manual stem locking

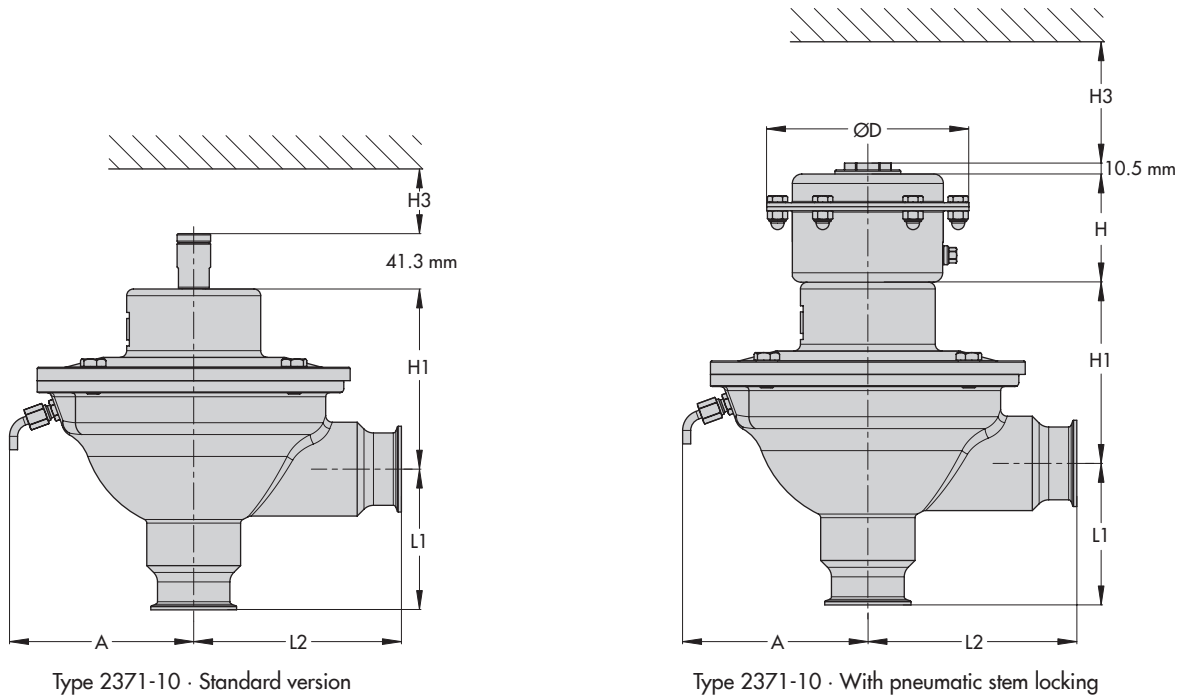


Type 2371-11 · With pneumatic stem locking

Type 2371-11 with clamp end connections is shown in these drawings.
The clamp fitting (connection between the actuator housing and valve) is turned 90° in the drawing.

Fig. 5: Dimensional drawings for Type 2371-11

Dimensions of Type 2371-10 (dimensions in Table 4 to Table 7)



Type 2371-10 with clamp end connections is shown in these drawings.

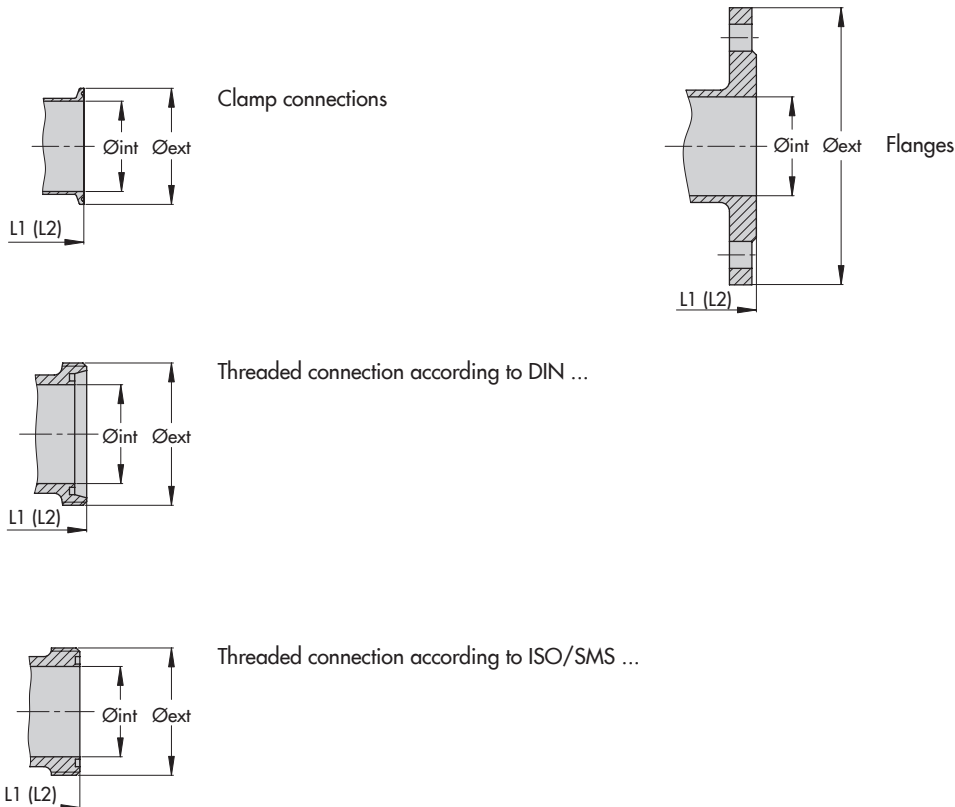


Fig. 6: Dimensional drawings of Type 2371-10 · End connections

Table 4: Threaded connections · All dimensions in mm (see Fig. 5 and Fig. 6)

Pressure reducing valve		Type 2371-11					Type 2371-10			
Valve size		DN 15 NPS ½	DN 20 NPS ¾	DN 25 NPS 1	DN 32 NPS 1¼	DN 40 NPS 1½	DN 50 NPS 2	DN 32 NPS 1¼	DN 40 NPS 1½	DN 50 NPS 2
DIN 11864-1 GS Form A Series A	P _{max}	10 bar/150 psi								
	L1	55	55	60	60	65	70	105	105	105
	L2	90	90	90	90	90	90	155	155	155
	Ø _{int}	16	20	26	32	38	50	32	38	50
	Ø _{ext}	RD 34x½"	RD 44x½"	RD 52x½"	RD 58x½"	RD 65x½"	RD 78x½"	RD 58x½"	RD 65x½"	RD 78x½"
DIN 11864-1 GS Form A Series B	P _{max}	10 bar/150 psi								
	L1	55	55	60	60	65	70	105	105	105
	L2	90	90	90	90	90	90	155	155	155
	Ø _{int}	18.1	23.7	29.7	38.4	44.3	56.3	38.4	44.3	56.3
	Ø _{ext}	RD 44x½"	RD 52x½"	RD 58x½"	RD 65x½"	RD 78x½"	RD 95x½"	RD 65x½"	RD 78x½"	RD 95x½"
DIN 11864-1 GS Form A Series C	P _{max}	10 bar/150 psi								
	L1	–	55	60	–	65	70	–	105	105
	L2	–	90	90	–	90	90	–	155	155
	Ø _{int}	–	15.75	22.1	–	34.8	47.5	–	34.8	47.5
	Ø _{ext}	–	RD 34x½"	RD 52x½"	–	RD 65x½"	RD 78x½"	–	RD 65x½"	RD 78x½"
DIN 11887 A Series 1	P _{max}	10 bar/150 psi								
	L1	55	55	60	60	65	70	105	105	105
	L2	90	90	90	90	90	90	155	155	155
	Ø _{int}	16	20	26	32	38	50	32	38	50
	Ø _{ext}	RD 34x½"	RD 44x½"	RD 52x½"	RD 58x½"	RD 65x½"	RD 78x½"	RD 58x½"	RD 65x½"	RD 78x½"
ISO 2853 = IDF	P _{max}	10 bar/150 psi								
	L1	–	–	60	60	65	70	105	105	105
	L2	–	–	90	90	90	90	155	155	155
	Ø _{int}	–	–	22.6	31.3	35.6	48.6	31.3	35.6	48.6
	Ø _{ext}	–	–	37x½"	45.9x½"	50.6x½"	64.1x½"	45.9x½"	50.6x½"	64.1x½"
SMS 1146	P _{max}	10 bar/150 psi								
	L1	–	–	60	60	65	70	105	105	105
	L2	–	–	90	90	90	90	155	155	155
	Ø _{int}	–	–	22.6	29.6	35.6	48.6	29.6	35.6	48.6
	Ø _{ext}	–	–	RD 40x½"	RD 48x½"	RD 60x½"	RD 70x½"	RD 48x½"	RD 60x½"	RD 70x½"

Table 5: Clamp connections · All dimensions in mm (see Fig. 5 and Fig. 6)

Pressure reducing valve		Type 2371-11					Type 2371-10			
Valve size		DN 15 NPS ½	DN 20 NPS ¾	DN 25 NPS 1	DN 32 NPS 1¼	DN 40 NPS 1½	DN 50 NPS 2	DN 32 NPS 1¼	DN 40 NPS 1½	DN 50 NPS 2
DIN 11864-3 NKS Form A Series A	P _{max}	10 bar/150 psi								
	L1	55	55	60	60	65	70	105	105	105
	L2	90	90	90	90	90	90	155	155	155
	Ø _{int}	16	20	26	32	38	50	32	38	50
	Ø _{ext}	34	50.5	50.5	50.5	64	77.5	50.5	64	77.5
DIN 11864-3 NKS Form A Series B	P _{max}	10 bar/150 psi								
	L1	55	55	60	60	65	70	105	105	105
	L2	90	90	90	90	90	90	155	155	155
	Ø _{int}	18.1	23.7	29.7	38.4	44.3	56.3	38.4	44.3	56.3
	Ø _{ext}	34	50.5	50.5	64	64	91	64	64	91
DIN 11864-3 NKS Form A Series C	P _{max}	10 bar/150 psi								
	L1	–	55	60	–	65	70	–	105	105
	L2	–	90	90	–	90	90	–	155	155
	Ø _{int}	–	15.75	22.1	–	34.8	47.5	–	34.8	47.5
	Ø _{ext}	–	34	50.5	–	64	77.5	–	64	77.5
DIN 32676, Series A	P _{max}	10 bar/150 psi								
	L1	55	55	60	60	65	70	105	105	105
	L2	90	90	90	90	90	90	155	155	155
	Ø _{int}	16	20	26	32	38	50	32	38	50
	Ø _{ext}	34	34	50.5	50.5	50.5	64	50.5	50.5	64
DIN 32676 Series B	P _{max}	10 bar/150 psi								
	L1	55	55	60	60	65	70	105	105	105
	L2	90	90	90	90	90	90	155	155	155
	Ø _{int}	18.1	23.7	29.7	38.4	44.3	56.3	38.4	44.3	56.3
	Ø _{ext}	50.5	50.5	50.5	64	64	77.5	64	64	77.5
DIN 32676 Series C	P _{max}	10 bar/150 psi								
	L1	–	55	60	–	65	70	–	105	105
	L2	–	90	90	–	90	90	–	155	155
	Ø _{int}	–	15.75	22.1	–	34.8	47.5	–	34.8	47.5
	Ø _{ext}	–	25	50.5	–	50.5	64	–	50.5	64
ISO 2852	P _{max}	10 bar/150 psi								
	L1	–	–	60	60	65	70	105	105	105
	L2	–	–	90	90	90	90	155	155	155
	Ø _{int}	–	–	22.6	31.3	35.6	48.6	31.3	35.6	48.6
	Ø _{ext}	–	–	50.5	50.5	50.5	64	50.5	50.5	64
BS 4825 Part 3 = ASME BPE	P _{max}	10 bar/150 psi								
	L1	–	55 ¹⁾	60	–	65	70	–	105	105
	L2	–	90 ¹⁾	90	–	90	90	–	155	155
	Ø _{int}	–	15.75 ¹⁾	22.2	–	34.9	47.6	–	34.9	47.6
	Ø _{ext}	–	25 ¹⁾	50.5	–	50.5	64	–	50.5	64

¹⁾ Version according to ASME BPE only

Table 6: Flanges · All dimensions in mm (see Fig. 5 and Fig. 6)

Pressure reducing valve		Type 2371-11					Type 2371-10			
Valve size		DN 15 NPS ½	DN 20 NPS ¾	DN 25 NPS 1	DN 32 NPS 1¼	DN 40 NPS 1½	DN 50 NPS 2	DN 32 NPS 1¼	DN 40 NPS 1½	DN 50 NPS 2
DIN 11864-2 NF Form A Series A	P _{max}	10 bar/150 psi								
	L1	90	95	100	105	115	125	105	105	105
	L2	90	95	100	105	115	125	155	155	155
	Ø _{int}	16	20	26	32	38	50	32	38	50
	Ø _{ext}	59	64	70	76	82	94	76	82	94
DIN 11864-2 NF Form A Series B	P _{max}	10 bar/150 psi								
	L1	90	95	100	105	115	125	105	105	105
	L2	90	95	100	105	115	125	155	155	155
	Ø _{int}	18.1	23.7	29.7	38.4	44.3	56.3	38.4	44.3	56.3
	Ø _{ext}	62	69	74	82	88	103	82	88	103
DIN 11864-2 NF Form A Series C	P _{max}	10 bar/150 psi								
	L1	–	95	100	–	115	125	–	105	105
	L2	–	95	100	–	115	125	–	155	155
	Ø _{int}	–	15.75	22.1	–	34.8	47.5	–	34.8	47.5
	Ø _{ext}	–	59	66	–	79	92	–	79	92
DIN EN 1092-1 B2 or ASME B16.5 Cl 150		On request								

Table 7: General · All dimensions in mm (see Fig. 5 and Fig. 6)

Pressure reducing valve		Type 2371-11					Type 2371-10			
Valve size		DN 15 NPS ½	DN 20 NPS ¾	DN 25 NPS 1	DN 32 NPS 1¼	DN 40 NPS 1½	DN 50 NPS 2	DN 32 NPS 1¼	DN 40 NPS 1½	DN 50 NPS 2
Common dimensions	A	85					145			
	H	80								
	H1	245			260		180			
	H3	200								
	ØD	150								
Weight, approx. ¹⁾										
Type 2371-10/-11		8.5 kg			11 kg		15 kg			
Stem locking										
Pneumatic unit		2.5 kg								
Screw (pin)		0.1 kg								

¹⁾ With welding ends

Ordering text

Type 2371-10 and Type 2371-11 **Pressure Reducing Valves**

Type 2371-10 · Pneumatic set point adjustment

Set point range 0.5 to 6 bar or 2.5 to 6 bar · 7.5 to 90 psi or 37.5 to 90 psi,

depending on K_{VS} coefficient (C_V coefficient)

Type 2371-11 · Manual set point adjustment

Set point range 0.4 to 1.2 bar, 1 to 3 bar, 2.5 to 4.5 bar, 4 to 6 bar · 6 to 18 psi, 15 to 45 psi, 35 to 65 psi, 60 to 90 psi

K_{VS} ..., C_V ...

Valve size DN ..., NPS ...

Plug with metal/soft seal

Type of connection: threaded connections according to .../
clamp connections according to .../flanges according to .../
welding ends according to ...

Stem locking: pneumatic/manual

Specifications subject to change without notice



SAMSON AG · MESS- UND REGELTECHNIK
Weismüllerstraße 3 · 60314 Frankfurt am Main, Germany
Phone: +49 69 4009-0 · Fax: +49 69 4009-1507
samson@samson.de · www.samson.de

T 2640 EN

2017-09-19 · English