

Series 42 Self-operated Regulators

Type 42-34 · Type 42-38

Differential Pressure Limiters with Flow Limitation



Application

Regulators for district heating supply networks with an indirect connection · Differential pressure set points from **0.1 to 1.5 bar**
Nominal sizes **DN 15 to 250 · PN 16 to 40** · Suitable for liquids from **5 to 150 °C** ¹⁾

The valve **closes** when the differential pressure. The flow rate is limited.



The regulators consist of a valve and an actuator with adjustable restriction. They limit the differential pressure to the set point adjusted at the actuator and limit the flow rate to the valve adjusted at the restriction.

Special features

- Low-noise, medium-controlled proportional regulator requiring little maintenance
- Suitable for circuit water, water/glycol mixtures and air as well as other liquids, gases and vapors, provided these do not affect the characteristics of the operating diaphragm.
- Single-seated valve with a plug balanced by a stainless steel bellows or a balancing diaphragm.
- Valve body made of cast iron, spheroidal graphite iron or cast steel.

Versions

Differential pressure limiters with flow limitation for installation in the return flow pipe (see Fig. 6)

Type 42-34 (Fig. 1) · Type 2423 Valve · Balanced by a bellows or diaphragm (DN 65 to 250) · Nominal size DN 15 to 250
Type 2424 Actuator with an adjustable set point

Type 42-38 (Fig. 2) · Type 2423 Valve · Balanced by a bellows
Nominal size DN 15 to 100 · Balanced by a diaphragm (DN 65 to 100) Type 2428 Actuator with a fixed set point, adjusted to $\Delta p = 0.2, 0.3, 0.4$ or 0.5 bar

Special version

ANSI version · Max. 220 °C for liquids · Higher flow ranges at 0.5 bar differential pressure across the restriction

Accessories

Required accessories, such as compression-type fittings, needle valves, equalizing tanks and control lines, are listed in Data Sheet ▶ T 3095.

¹⁾ Other temperature ranges on request

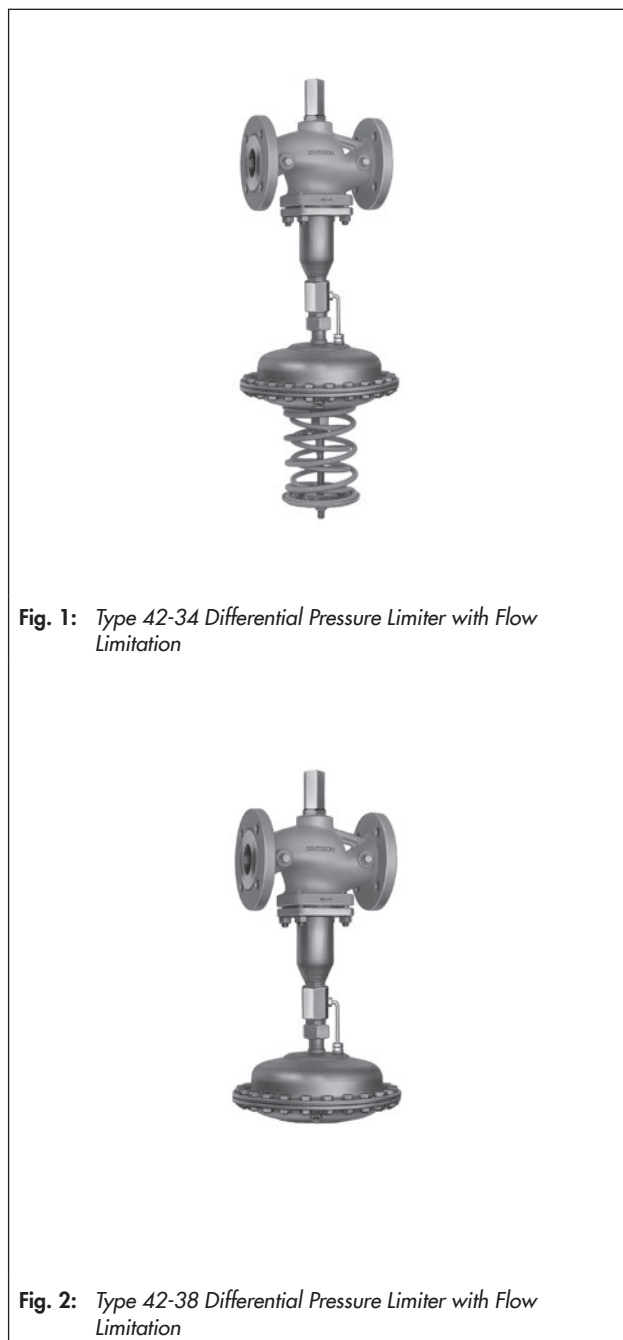


Fig. 1: Type 42-34 Differential Pressure Limiter with Flow Limitation

Fig. 2: Type 42-38 Differential Pressure Limiter with Flow Limitation

Principle of operation (see Fig. 3)

The medium flows through the valve in the direction indicated by the arrow. The areas released by the restriction (1.4) and the valve plug (3) determine the flow rate and the differential pressure Δp .

The principle of operation of the regulator balanced by a bellows or diaphragm only differs concerning the pressure balancing. Valves balanced by a bellows have a balancing bellows (5), whereas the valves balanced by a diaphragm (DN 65 to 250) have a balancing diaphragm (5.1). The upstream pressure p_1 directly downstream of the restriction (1.4) acts on the outside of the metal bellows or balancing diaphragm, while the downstream pressure p_2 acts on the inside of the bellows or balancing diaphragm. In both cases, the forces created by the upstream and downstream pressures that act on the valve plug are balanced out.

To limit the differential pressure, the high pressure is transmitted over the control line (19) to the bottom diaphragm chamber of the actuator. The pressure downstream of the restriction transmitted through the hollow plug stem and the control line (9/9.1) to the top diaphragm chamber of the actuator. The differential pressure is converted into a set point force at the operating diaphragm (13) and used to move the plug according to the force of the set point springs (16).

In Type 42-38, the set point springs (16) in the actuator determines the set point. The set point of Type 42-34 is adjustable at the set point adjustment (17).

The flow set point adjustment is used to move the restriction (1.4) and set the maximum flow rate. When selecting the differential pressure set point or set point range, make sure that the differential pressure Δp is the sum of the pressure drop in the fully open plant and the pressure drop across the restriction (see Fig. 4).

Type 2424 and Type 2428 Actuators are fitted with a force limiter (20) with an internal excess pressure limiter (21). It limits the force acting on the plug stem as well as protecting the seat and plug from overload. To protect the consumer, the internal excess pressure limiter opens when the pressure at which it responds is reached (see Table 1).

- | | | | |
|-----|--|-----|---|
| 1 | Type 2423 Valve | 9.1 | Low-pressure control line (DN 125 and larger) |
| 1.1 | Flow set point adjustment | 10 | Connecting piece (up to DN 100) |
| 1.4 | Restriction | 13 | Operating diaphragm |
| 2 | Seat | 16 | Set point springs |
| 3 | Plug | 17 | Set point adjustment |
| 4 | Plug stem | 19 | High-pressure control line (connection) |
| 5 | Balancing bellows | 21 | Force limiter with internal excess pressure limiter (overload protection) |
| 5.1 | Balancing diaphragm | | |
| 8 | Venting (balanced by a bellows, DN 125 and larger) | | |
| 9 | Low-pressure control line (up to DN 100) | | |

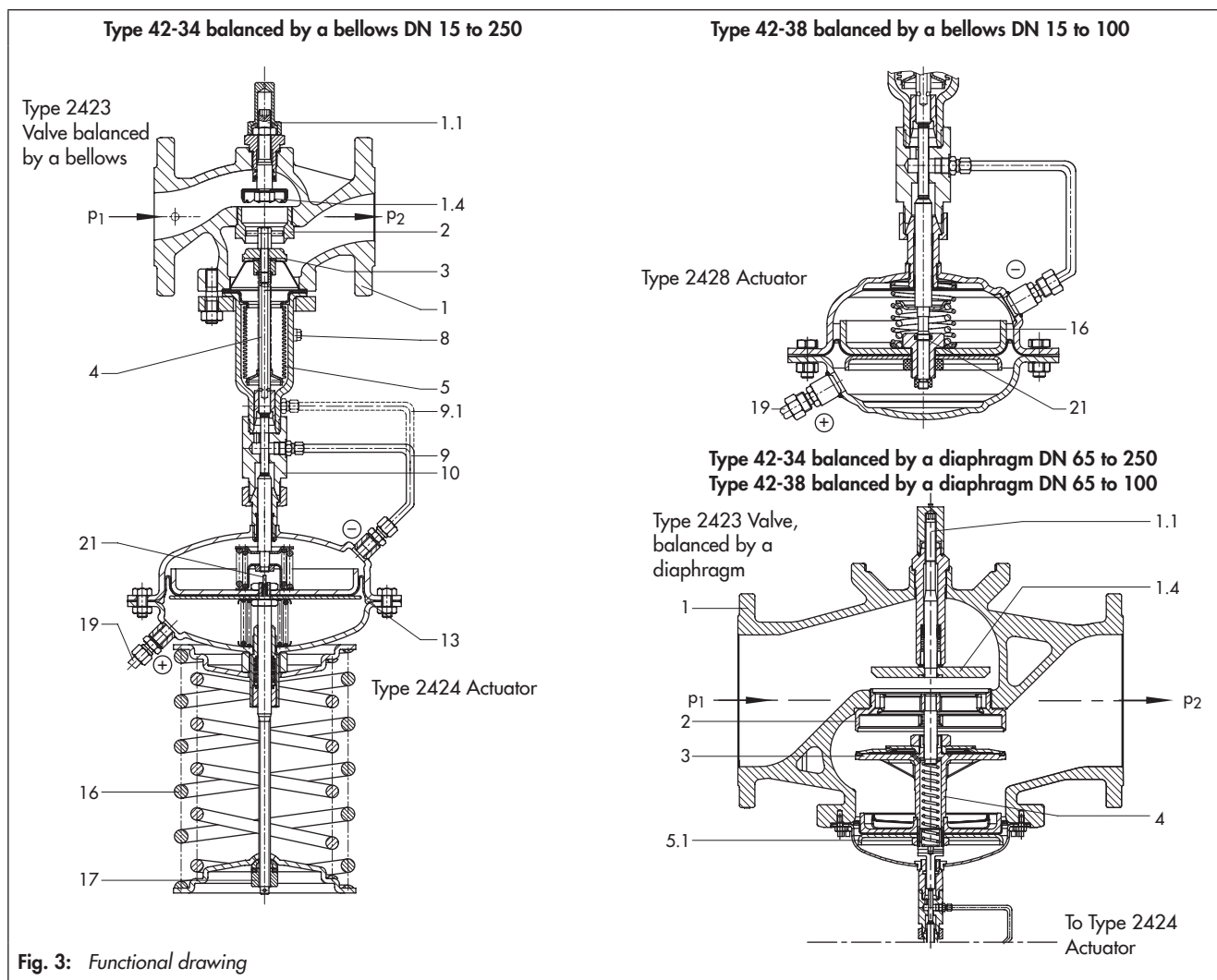


Fig. 3: Functional drawing

Table 1: Technical data · Type 42-34 and Type 42-38
Type 2423 Valve, balanced by a bellows

Type	42-34	42-38
Nominal size	DN 15 to 250	DN 15 to 100
Nominal pressure	PN 16, 25 or 40	
Pressure at which internal excess pressure limiter responds	A = 160 cm ²	1.2 bar
	A = 320 cm ²	0.6 bar
	A = 640 cm ²	0.3 bar
Max. permissible temperature	Valve body	See pressure-temperature diagram in ► T 3000
	Actuator ¹⁾	With condensation chamber: liquids up to 220 °C Without condensation chamber: liquids up to 150 °C
Set point ranges	0.1 to 0.6 bar · 0.2 to 1 bar · 0.5 to 1.5 bar	0.2 bar · 0.3 bar · 0.4 bar · 0.5 bar
Leakage class according to IEC 60534-4	≤ 0.05 % of K _{VS} coefficient	
Compliance	CE · EAC	

Type 2423 Valve, balanced by a diaphragm

Type	42-34
Nominal size	DN 65 to 250
Nominal pressure	PN 16, 25 or 40
Pressure at which internal excess pressure limiter responds	A = 160 cm ²
	A = 320 cm ²
	A = 640 cm ²
Max. permissible temperature	Valve body
	Actuator ¹⁾
Set point ranges	0.1 to 0.6 bar · 0.2 to 1 bar · 0.5 to 1.5 bar
Leakage class according to IEC 60534-4	≤ 0.05 % of K _{VS} coefficient
Compliance	CE · EAC

¹⁾ Higher temperatures on request

Table 2: K_{VS} coefficients, x_{FZ} values and max. permissible differential pressures Δp
Type 2423 Valve balanced by a bellows

Nominal size	DN	15	20	25	32	40	50	65	80	100	125	150	200	250
Valve travel		10 mm						16 mm			22 mm			
K _{VS} coefficient		4	6.3	8	16	20	32	50	80	125	190	280	420	500
x _{FZ} value		0.65	0.6	0.55		0.45	0.4		0.35				0.3	
Max. perm. diff. pressure Δp		25 bar						20 bar			16 bar	12 bar	10 bar	

Type 2423 Valve, balanced by a diaphragm

Nominal size	DN	65	80	100	125	150	200	250	
K _{VS} coefficient		50	80	125	250	380	650	800	
x _{FZ} value		0.4	0.35				0.3		
Max. perm. diff. pressure Δp		10 bar			12 bar			10 bar	

Table 3: Flow rate set points for water in m³/h
Type 2423 Valve balanced by a bellows

Δp _{set point}	Δp _{plant}	Δp _{restriction}	DN	15	20	25	32	40	50	65	80	100	125	150	200	250
			Ṃ min.	0.05	0.15	0.25	0.4	0.6	0.9	2	3.5	6.5	11	18	20	26
0.2 bar	0.1 bar	0.1 bar	Ṃ max.	1.4	2.1	2.4	4.9	7.7	11.2	19	28	44	56	84	126	154
0.5 bar	0.3 bar	0.2 bar	Ṃ max.	2	3	3.5	7	11	16	28	40	63	80	120	180	220
1.0 bar	0.5 bar	0.5 bar	Ṃ max.	3	4.5	5.3	9.5	16	24	40	58	90	120	180	260	300

Type 2423 Valve, balanced by a diaphragm

Nominal size	DN	65	80	100	125	150	200	250
Diff. pressure across restriction Δp _{restriction}	0.2 bar	2 to 28	3.5 to 35 ¹⁾	6.5 to 63	11 to 120	18 to 180	20 to 320	26 to 350
	0.5 bar	3.5 to 40	6.5 to 55	11 to 90	18 to 180	20 to 260	26 to 450	30 to 520

¹⁾ 7 to 35 m³/h with 160 cm² actuator, 7 to 40 m³/h with 320 cm² actuator

Flow limitation

Pressure conditions in the plant and across the valve

When selecting the differential pressure set point or set point range, make sure that the differential pressure $\Delta p_{\text{set point}}$ is the sum of the pressure drop in the fully open plant Δp_{plant} and the pressure drop across the restriction $\Delta p_{\text{restriction}}$ (see Fig. 4).

The flow rates at a differential pressure across the restriction of 0.1 bar, 0.2 bar and 0.5 bar are specified in Table 3.

$$\Delta p_{\text{set point}} = \Delta p_{\text{plant}} + \Delta p_{\text{restriction}}$$

Differential pressure across the valve

The minimum required differential pressure Δp_{min} between the flow pipe and return flow pipe is calculated as follows:

$$\Delta p_{\text{min}} = \Delta p_{\text{set point}} + \left(\frac{\dot{V}}{K_{VS}} \right)^2$$

Δp_{min}	Minimum differential pressure across the valve in bar
$\Delta p_{\text{restriction}}$	Differential pressure created at restriction for measuring the flow rate
$\Delta p_{\text{set point}}$	Differential pressure set point in bar
Δp_{plant}	Differential pressure (pressure loss) when the plant is completely open in bar
\dot{V}	Adjusted flow rate in m ³ /h
K_{VS}	Valve flow coefficient in m ³ /h

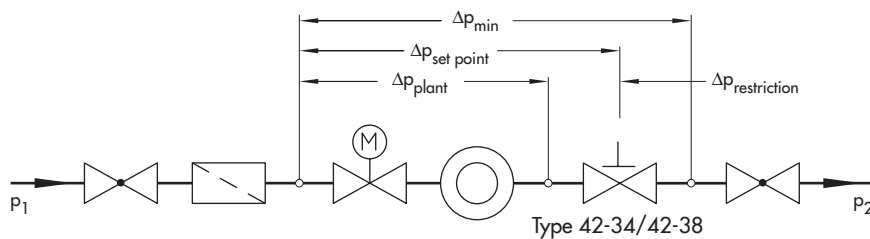


Fig. 4: Pressure loss in the plant

Table 4: Materials · Material numbers according to DIN EN

Type 2423 Valve · Balanced by a bellows			
Nominal pressure	PN 16	PN 25	PN 16, 25 and 40
Valve body	Cast iron EN-JL1040	Spheroidal graphite iron EN-JS1049	Cast steel 1.0619
Seat	1.4104, 1.4006		
Plug	Up to DN 100	1.4104, 1.4006 ¹⁾	
	DN 125 to 250	1.4301, 1.4404 with PTFE seal	
Plug stem	1.4301		
Metal bellows	1.4571 · DN 125 and higher: 1.4404		
Bottom section	P265GH		
Body gasket	Graphite on metal core		
Type 2423 · Balanced by a diaphragm			
Nominal pressure	PN 16	PN 25	PN 16, 25 and 40
Valve body	Cast iron EN-JL1040	Spheroidal graphite iron EN-JS1049	Cast steel 1.0619
Valve seat	Red brass ^{2) 3)}		
Plug (standard version)	Red brass ^{2) 4)} with EPDM soft seal, max. 150 °C or with PTFE soft seal, max. 150 °C		
Pressure balancing	Balancing cases made of sheet steel DD11 · EPDM balancing diaphragm, max. 150 °C or NBR diaphragm, max. 80 °C		
Type 2424 and Type 2428 Actuators			
Diaphragm cases	Sheet steel DD11		
Diaphragm	EPDM ⁵⁾ with fabric reinforcement · Special version for mineral oils: FPM (FKM)		
Guide bushing	DU bushing		
Seals	EPDM/PTFE ⁵⁾		

¹⁾ Optionally with soft seal with standard K_{VS} coefficients

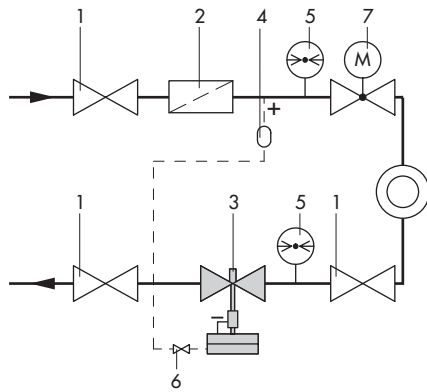
²⁾ Special version 1.4409

³⁾ DN 65 to 100: 1.4006

⁴⁾ DN 65 to 80: 1.4104, DN 100: 1.4006, with metal seal

⁵⁾ Special version for mineral oils: FPM (FKM)

Application



- 1 Shut-off valve
- 2 Strainer (filter)
- 3 Type 42-38 Differential Pressure Limiter with Flow Limitation
- 4 Condensation chamber (optional)
- 5 Pressure gauge
- 6 Needle valve (optional)
- 7 Motorized valve

Fig. 5: Installation example · Type 42-38 in the return flow pipe of a plant

Installation of the regulators

Installation in the return flow pipe of the plant

Valve, actuator and control lines are delivered unattached.

Mount the actuator preferably after the valve is installed in the pipeline. It is connected to the valve with a coupling nut (for DN 15 to 100, additionally with the connecting piece).

The following points must be observed:

- Install valves in horizontal pipelines.
- The direction of flow must correspond with the arrow on the valve body.
- Install a strainer (e.g. SAMSON Type 2 NI) upstream of the valve.



Permissible mounting positions

- All nominal sizes: install the actuator suspended downwards (see photo).
- DN 15 to 80 plus max. 80 °C): install the actuator either suspended or upright.
- All nominal sizes with fixed plug guide plus max. 80 °C: any position possible.

Refer to ► EB 3013 for details.

Dimensions

Dimensional drawing · Type 42-34 and Type 42-38 · Valve balanced by a bellows

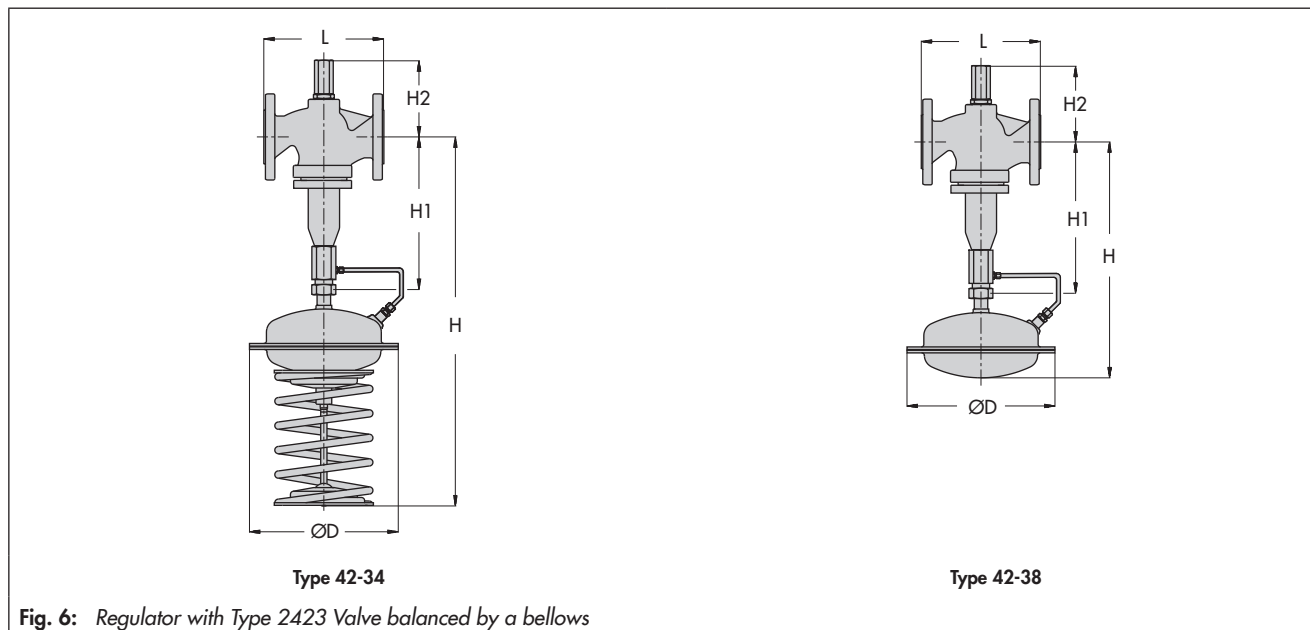


Table 5: Dimensions in mm and weights · Type 2423 Valve balanced by a bellows

Valve size	DN	15	20	25	32	40	50	65	80	100	125	150	200	250	
Length L		130	150	160	180	200	230	290	310	350	400	480	600	730	
Height H1		285						360		415	460	590	730		
Height H2	Other materials	115			135			195		220	265	295	400		
	1.4571	113	-	130	-	155	161	-							
Type 42-38 balanced by a bellows															
0.2 · 0.3 0.4 · 0.5 bar	Height H	450						525		585		-			
	Actuator	ØD = 225 mm, A = 160 cm ²						ØD = 285 mm, A = 320 cm ²		-					
	Weight ¹⁾ in kg	11.5	12	13	19.5	20	22.5	45	50	58					
Type 42-34 balanced by a bellows															
0.1 to 0.6 bar	Height H	670						745		800		990	1120	1260	
	Actuator	ØD = 225 mm, A = 160 cm ² ²⁾						ØD = 285 mm, A = 320 cm ²		ØD = 390 mm, A = 640 cm ²					
	Weight ¹⁾ in kg	16	16.5	17.5	24	24.5	27	46	51	59	135	185	425	485	
0.2 to 1 bar	Height H	670						745		800		990	1120	1260	
	Actuator	ØD = 225 mm, A = 160 cm ² ²⁾								ØD = 390 mm, A = 640 cm ²					
	Weight ¹⁾ , kg	16	16.5	17.5	24	24.5	27	42	47	55	135	185	425	485	
0.5 to 1.5 bar	Height H	670						745		800		880	1040	1210	
	Actuator	ØD = 225 mm, A = 160 cm ² ²⁾								ØD = 285 mm, A = 320 cm ²					
	Weight ¹⁾ , kg	16	16.5	17.5	24	24.5	27	42	47	55	125	175	415	475	

¹⁾ The weight applies to the version with the material specifications EN-JL1040/PN 16. Add +10 % for spheroidal graphite iron EN-JS1049/PN 25, cast steel 1.0619/PN 40 and 1.4571.

²⁾ Optionally with 320 cm² actuator

Dimensional drawing · Type 42-34 and Type 42-38 · Valve balanced by a diaphragm

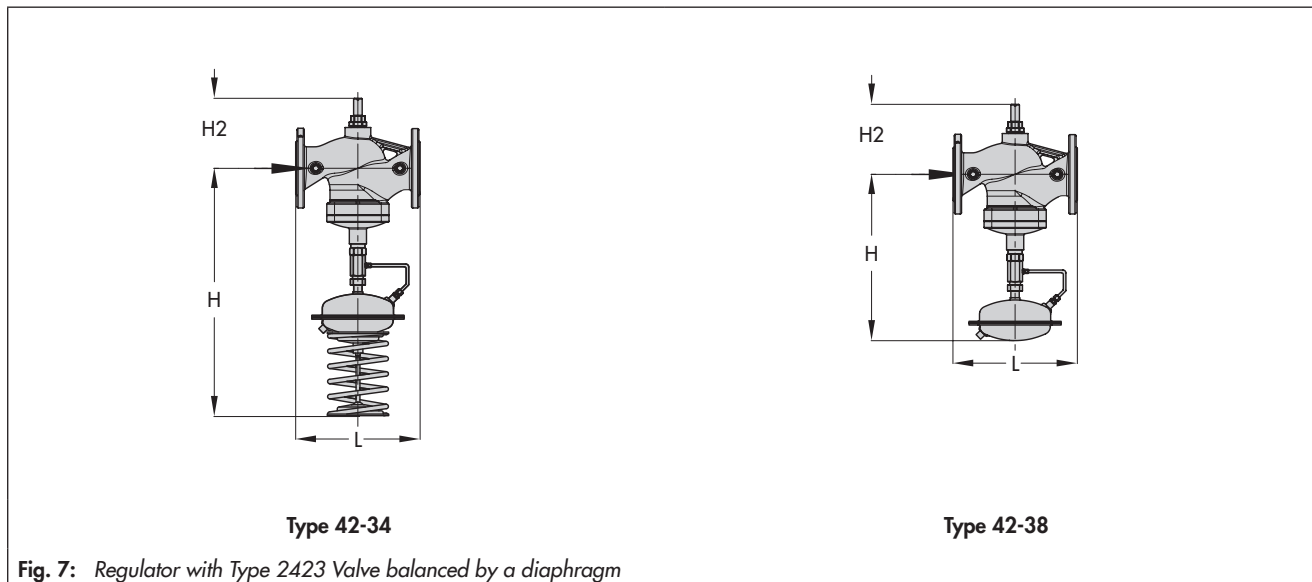


Table 6: Dimensions in mm and weights · **Type 42-34** · Type 2423 Valve balanced by a diaphragm

Valve size	DN 65	DN 80	DN 100	DN 125	DN 150	DN 200	DN 250
Length L	290	310	350	400	480	600	730
Height H	635		655	780	805	1020	
Height H2	195		220	295	325	345	375
Weight ¹⁾ , approx.	47 kg ²⁾	52 kg ²⁾	62 kg ²⁾	95 kg	115 kg ²⁾	290 kg ²⁾	305 kg ²⁾

¹⁾ The weight applies to the version with the material specifications EN-JL1040/PN 16. Add +10 % to all other materials.

²⁾ With 640 cm² actuator

Table 7: Dimensions in mm and weights · **Type 42-38** · Type 2423 Valve balanced by a diaphragm

Valve size	DN 65	DN 80	DN 100
Length L	290	310	350
Height H	415		440
Height H2	195		220
Weight ¹⁾ , approx.	40	45	55

¹⁾ The weight applies to the version with the material specifications EN-JL1040/PN 16. Add +10 % to all other materials.

Ordering text

Type 42-34/42-38 Differential Pressure Limiter with Flow Limitation

DN ..., valve balanced by a bellows/diaphragm

Body material ..., PN ...

Differential pressure set point range ... bar

Optionally, special version ...

Optionally, accessories ... (▶ T 3095)

Specifications subject to change without notice



SAMSON AG · MESS- UND REGELTECHNIK
Weismüllerstraße 3 · 60314 Frankfurt am Main, Germany
Phone: +49 69 4009-0 · Fax: +49 69 4009-1507
samson@samson.de · www.samson.de

T 3013 EN

2015-08-31 · English