

Application

Weather-compensated flow temperature control and on/off control for domestic hot water heating in the primary circuit



Features

- Weather-compensated control according to gradient characteristic or fixed set point 0 to 130 °C (on/off or 3-step)
- Return flow temperature limitation acc. to fixed set point
- Delayed outdoor temperature adaptation
- Automatic drying of jointless floors acc. to DIN 4725, Part 4
- 365-day clock with a heating schedule and automatic summer time and winter time changeover; maximum 3 times-of-use per day (entered in steps of 30 minutes)
- Type 5257-5 Room Sensor with room panel for weather-compensated flow temperature control and flash adaptation or room temperature-dependent flow temperature control (without outdoor sensor)
- Control of the DHW heating in combination with weather-compensated or room temperature-dependent flow temperature control

Operation

The controller is operated using a rotary pushbutton. The button grants access to three operating levels.

(1) Operating level

- View and set the desired room temperature or the flow temperature set point (time restriction)
- Activate party mode (continuous rated operation) or holiday mode (stand-by operation)

(2) Customer level

Setting:

- Controller time
- Heating schedule

Depending on configuration:

- Day/night set point (rated room temperature/reduced room temperature)
 - Outdoor temp. deactivation in rated/reduced operation
- View measured values as well as set points and limits

(3) Configuration and parameter level

(level for experts)

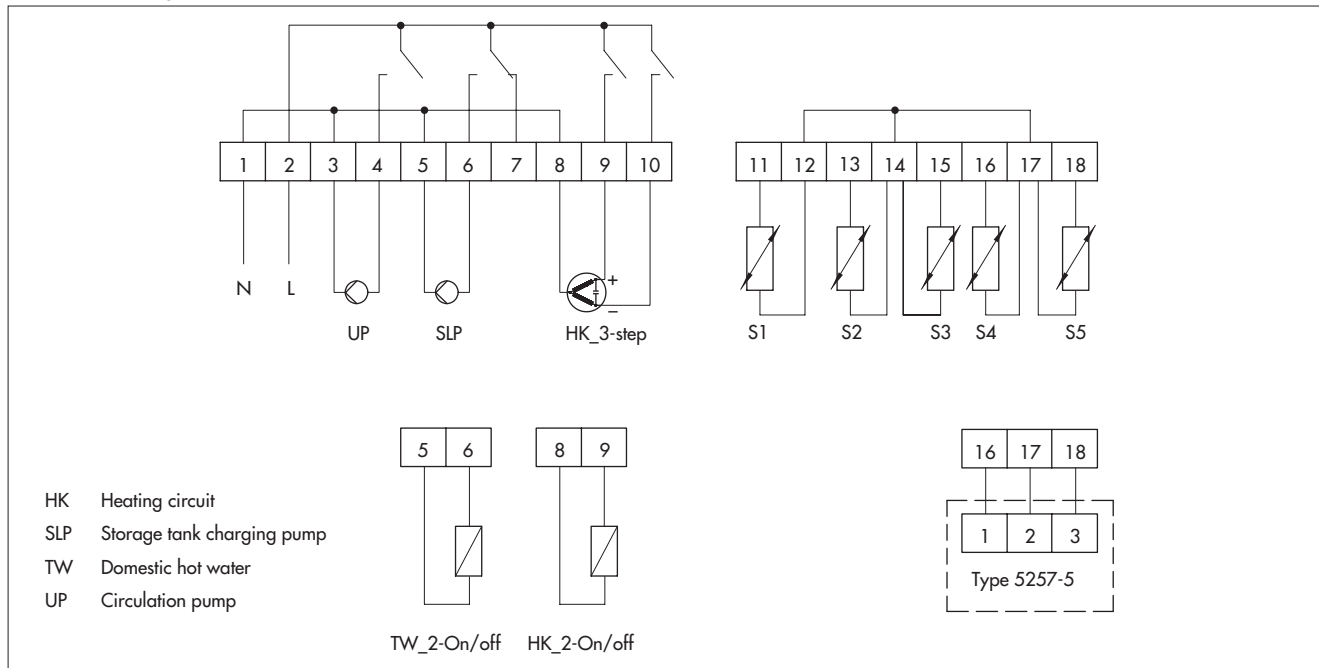
- Activate/set functions and parameters

Icons facilitate operation. The controller can also be configured with TROVIS-VIEW software, with data transfer over the controller's infrared interface.



Fig. 1 · TROVIS 5432 Heating and District Heating Controller

Connection diagram



Electrical connection and mounting

The controller consists of a casing section and a base. The casing section contains the electronics section, the base the terminals. Each screw terminal can take two 0.75 mm² wires.

For wall mounting, the base with the terminals is screwed to the wall. After the wiring the controller, plug on the casing section (snap-on lid).

For panel mounting, the casing section is placed into the prepared cut-out and fastened to the control panel using the two integrated screws. After the wiring the controller, plug on the base (snap-on lid).

Ordering text

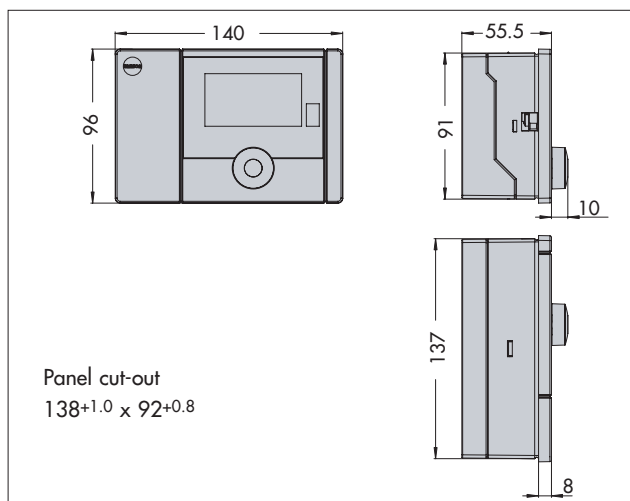
Heating and District Heating Controller TROVIS 5432

Options

TROVIS-VIEW Configuration and Operator Interface for TROVIS 5432 Order no. 6661-1002

Infrared adapter Order no. 8864-0900

Dimensions in mm



Technical data

Inputs	
Sensor inputs	5 inputs for Pt 1000 sensors
Outputs	
Control signal	3-step or on/off signal, non-floating: 230 V AC 0.3 A AC (triac outputs with varistor suppression)
Binary outputs	2 outputs for control of the heating circulation pump and release of the domestic hot water heating (double-throw contact), non-floating: 230 V AC 2 A (relay outputs with varistor suppression)
Operating voltage	230 V AC (+ 10 %/-15 %) 48 to 62 Hz Power consumption approx. 2.6 VA
Ambient temperature	Operation: 0 to 50 °C Transport and storage: -10 to 60 °C
Relative humidity	Normal, no dew formation
Degree of protection	IP 40 according to EN 60529
Class of protection	I according to EN 50178
Degree of contamination	2 according to EN 50178
Overvoltage category	II according to EN 50178
Noise immunity	According to EN 61000-6-1
Noise emission	According to EN 61000-6-3
Weight	Approx. 0.4 kg

Specifications subject to change without notice.

