

Application

Accessories for TROVIS 5500 Series Controllers for room temperature measurement and remote operation of a heating circuit



Special features

- Direct access to operating modes
- Display of measured room temperature and outdoor temperature (from controller)
- Display of up to ten further measured values (max. five temperature and five dimensionless values) from the associated heating or district heating controller, provided the controller has been set up accordingly
- Main parameters of a heating circuit can be set at the room panel:
 - Day and night set points
 - Times-of-use of the heating circuit
 - Timer for party mode
- Connection via device bus

Operation

Three keys \uparrow , \downarrow and ↔ are visible when the front cover is closed:

Using the arrow keys (\uparrow and \downarrow) users can switch successively between controller time, room temperature in addition to the day set point and night set point, outdoor temperature and current status of the party mode timer.

By pressing ↔ users can switch between the operating modes: Day, Night, Stand-by and Automatic.

Additional operating keys are accessible when the front cover is opened (Fig. 1). The ↔ key is marked inside by ✱ .

After pressing the changeover ↔ key, the controller time, set points for day and night as well as heating times-of-use starting with time schedules 1–7 (Mon–Sun) followed by individual days 1 (Mon), 2 (Tue), 3 (Wed), etc. can be changed.

A timer for the party mode can be set using the special ⌘ key. Diverse parameters can be activated and set using the \uparrow , \downarrow and ✱ keys.



Fig. 1: TROVIS 5570 Room Panel with open front cover

Technical data

Interface Device bus	RS-485 interface for connection to TROVIS 5500 Series Controllers (two-wire, polarity independent)
Operating voltage	15 to 36 V DC (polarity independent) 12 to 26.5 V AC, 48 to 62 Hz
Ambient conditions	0 to 50 °C (operation), -10 °C to 60 °C (storage and transport) 95 % rH, non-condensing
Degree of contamination	2 according to VDE 0110
Noise immunity	According to EN 61000-6-1
Noise emission	According to EN 61000-6-3
Dimensions in mm	W x H x D: 113 x 91 x 30

Electrical connection and installation

To install and wire the room panel, the housing section needs to be separated from the base. To proceed, press down the tongue on the bottom of the room panel and tip the housing section forward to remove it from the base. For wall mounting, screw the base to the wall and connect the wiring. Push the top of the housing section onto the base and push it down.

Ordering text

TROVIS 5570 Room Panel

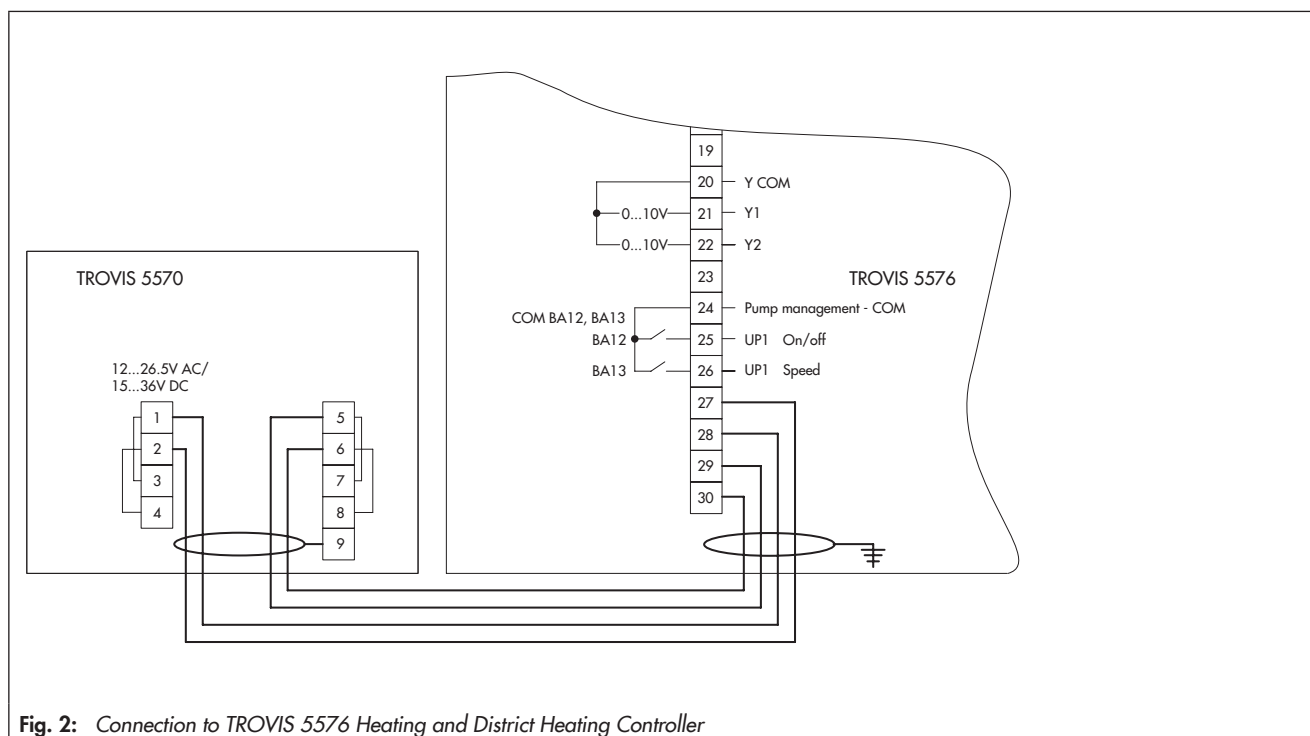


Fig. 2: Connection to TROVIS 5576 Heating and District Heating Controller

Specifications subject to change without notice.



SAMSON AG · MESS- UND REGELTECHNIK
Weismüllerstraße 3 · 60314 Frankfurt am Main · Germany
Phone: +49 69 4009-0 · Fax: +49 69 4009-1507
Internet: <http://www.samson.de>

T 5570 EN

2012-03-16