

Series 240

Type 3241/3374 Electric Control Valve Type 3241 Globe Valve

Type 3244/3374 Electric Control Valve Type 3244 Three-way Valve



Application

Versatile control valves for industrial applications as well as for heating, ventilation and air-conditioning systems

DN 15 to 150 · PN 16 to 40 · Temperatures from -196 to +450 °C



Type 3244 Three-way Valve or Type 3241 Globe Valve with Type 3374 Electric Actuator

- Type 3241 Globe Valve, refer to Data Sheet ▶ T 8015
- Type 3244 Three-way Valve, refer to Data Sheet ▶ T 8026

The Type 3374 Electric Actuator is available in various versions (for details, refer to Data Sheet ▶ T 8331):

- With additional electrical equipment (limit contacts, resistance transmitter, positioner)

Also available:

- Electric control valves with other electric actuators, refer to Data Sheets ▶ T 5874, ▶ T 8340 and ▶ T 8331
- Pneumatic actuators, refer to Data Sheet ▶ T 8015
- Versions tested according to DIN EN 14597, refer to Data Sheet ▶ T 5871

Installation

The control valves can be installed in any desired position except with the actuator suspended downwards. The actuator is attached to the yoke with a fastening nut.

Compliance



Ordering text

- Electric control valve · Type 3241/3374 or Type 3244/3374
- DN ..., body material, PN ...
- For Type 3244 Valve: mixing or diverting valve
- Type 3374:
 - Power supply for three-step version:
 - 230 V/50 or 60 Hz
 - 120 V/60 Hz
 - 24 V/50 or 60 Hz
 - Power supply for version with positioner:
 - 85 to 264 V/50 and 60 Hz
 - 24 V/50 and 60 Hz
 - 24 V DC
- Optionally, special version



Fig. 1: Type 3241/3374



Fig. 2: Type 3244/3374

Table 1: Overview: Nominal sizes, K_{VS} coefficients, seat diameters and permissible differential pressures Δp in bar when $p_2 = 0$ bar

Table 1.1: Type 3241/3374-15

K_{VS} coefficient	0.1	0.16	0.25	0.4	0.63	1.0	1.6	2.5	4.0	6.3	10	16	25	40	60	63	80	100	160	200	260
Seat \varnothing [mm]	3			6			12			24		31	38	48	63		80		100	110	130
Travel [mm]	15														30	15	30				
DN																					
15	•	•	•	•	•	•	•	•	•												
20	•	•	•	•	•	•	•	•	•	•											
25	•	•	•	•	•	•	•	•	•	•	•										
32				•	•	•	•	•	•	•	•	•									
40				•	•	•	•	•	•	•	•	•	•								
50				•	•	•	•	•	•	•	•	•	•	•							
65													•	•	•						
80													•	•	•		•				
100																	•		•	•	
125																		•	•	•	•
150																	•		•		•
Δp in bar when $p_2 = 0$ · Thrust: 2.5 kN																					
Without balanced plug																					
	40	40	40	40	40	40	40	40	40	40	40	26.5	17.5	10.6	5.8	5.8	3.4	3.4	2.0	1.5	1.0
Balanced PTFE																					
Without bellows seal	-	-	-	-	-	-	-	-	-	-	-	-	-	-	-	-	40	40	40	40	40
With bellows seal	-	-	-	-	-	-	-	-	-	-	-	-	-	-	-	-	40	12.1	10.3	9.4	7.4

Table 1.2: Type 3244/3374-15

K_{VS} coefficient	2	4	6.3	10	6.3	10	16	25	25	40	60	80	100	140	160	200	300
Seat \varnothing [mm]	24				31			38	48		63	75	80	90	100	110	130
Travel [mm]	15												30				
DN																	
15	•	•															
20	•	•	•														
25	•	•	•	•													
32					•	•	•										
40					•	•	•	•									
50					•	•	•	•		•							
65									•	•	•						
80									•	•	•	•					
100													•		•		
125														•		•	•
150																•	•
Δp in bar when $p_2 = 0$ · Thrust: 2.5 kN																	
	40	40	40	40	26.8	26.8	26.8	17.5	10.6	10.6	5.8	3.9	3.3	2.5	1.9	1.5	1.0

Table 2: Dimensions and weights

Table 2.1: Type 3241 Valve (without actuator)

Nominal size	DN	15	20	25	32	40	50	65	80	100	125	150
Length L	mm	130	150	160	180	200	230	290	310	350	400	480
Height H1	mm	H2 + H										
Height H2	mm	222	222	222	223	223	223	262	262	354	363	390
Height H3	mm	61	61	61	61	61	61	61	61	75	75	75
Height H4, fail-close	mm	75	75	75	75	75	75	75	75	90	90	90
Height H5	mm	44	44	44	72	72	72	98	98	118	144	175
Weight	kg (approx.)	6	7.5	8	12	14	18	29	34	52	81	108

Table 2.2: Type 3241 Valve with insulating section/with bellows seal (without actuator)

Nominal size	DN	15	20	25	32	40	50	65	80	100	125	150	
Height H9	Short/with bellows	mm	409	409	409	410	410	410	451	451	636	645	672
	Long/long with bellows	mm	713	713	713	714	714	714	755	755	877	886	913
Weight	Short/with bellows	kg (approx.)	9	10.5	11	18	20	24	37	42	70	106	138
	Long/long with bellows	kg (approx.)	13	14.5	15	22	24	28	41	46	78	114	146

Table 2.3: Type 3241 Valve with heating jacket (does not apply to valve body made of EN-GJL-250 or EN-GJS-400-18-LT)

Nominal size	DN	25	50	80	100
a	mm	110	140	180	200
b	mm	15	20	35	50
c	mm	140	170	215	255

Table 2.4: Type 3374 Actuator

Height H	mm	220
Height H6	mm	150 (min. clearance required to disassemble the actuator)/300 (cover screws are mounted from top)
Weight	kg (approx.)	3.3

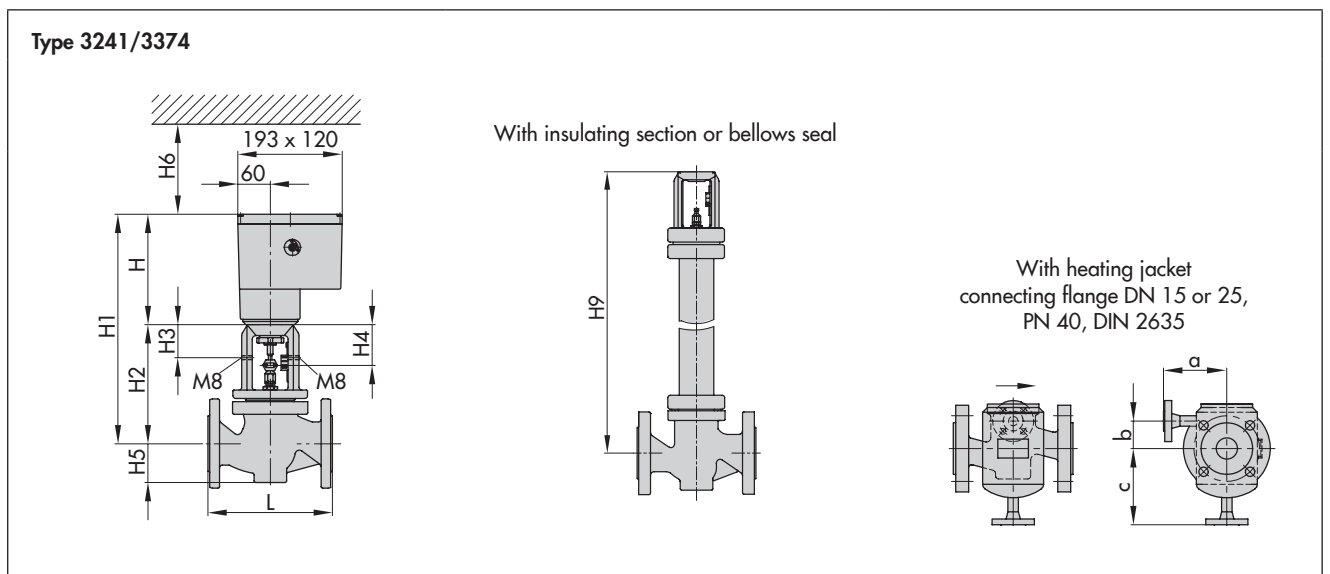


Table 2.5: Type 3244 Valve (without actuator)

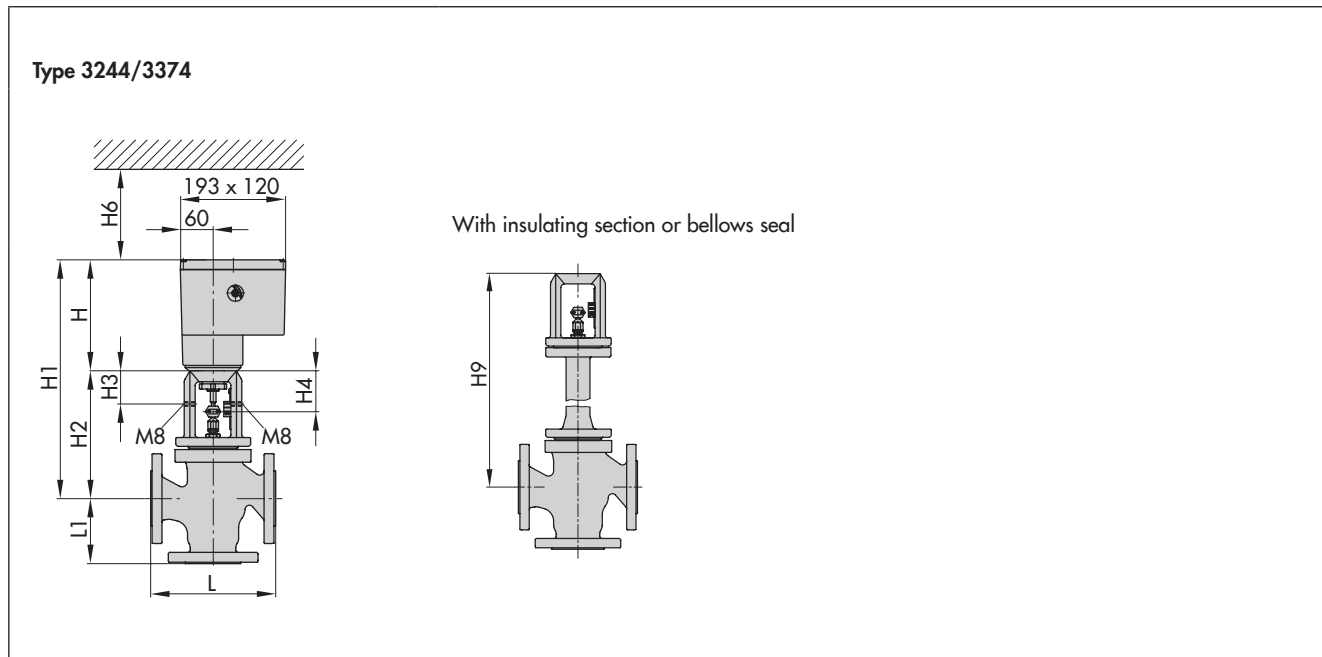
Nominal size	DN	15	20	25	32	40	50	65	80	100	125	150
Length L	mm	130	150	160	180	200	230	290	310	350	400	480
Height L1	mm	70	80	85	100	105	120	130	140	150	200	210
Height H1	mm	H2 + H										
Height H2	mm	235	235	235	235	235	235	270	270	360	375	375
Height H3	mm	61	61	61	61	61	61	61	61	75	75	75
Height H4, stem extended	mm	75	75	75	75	75	75	75	75	90	90	90
Weight	kg (approx.)	6	7	8	13	15	17	31	37	49	95	135

Table 2.6: Type 3244 Valve with insulating section/with bellows seal (without actuator)

Nominal size	DN	15	20	25	32	40	50	65	80	100	125	150	
Height H9	Short/with bellows	mm	420	420	420	420	420	420	455	455	645	655	655
	Long/long with bellows	mm	725	725	725	725	725	725	760	760	895	900	900
Weight	Short/with bellows	kg (approx.)	9	10	11	19	21	23	40	45	68	120	165
	Long/long with bellows	kg (approx.)	13	14	15	23	25	27	44	49	76	128	173

Table 2.7: Type 3374 Actuator

Height H	mm	204
Height H6	mm	150 (min. clearance required to disassemble the actuator)/300 (cover screws are mounted from top)
Weight	kg (approx.)	3.3



Specifications subject to change without notice



SAMSON AG · MESS- UND REGELTECHNIK
 Weismüllerstraße 3 · 60314 Frankfurt am Main, Germany
 Phone: +49 69 4009-0 · Fax: +49 69 4009-1507
 samson@samson.de · www.samson.de

T 5870 EN

2017-01-10 · English