

Series 240

Type 3241/3274 Electric Control Valve Type 3241 Globe Valve

Type 3244/3274 Electric Control Valve Type 3244 Three-way Valve



Application

Versatile control valves for industrial applications as well as for heating, ventilation and air-conditioning systems

DN 15 to 150 · PN 16 to 40 · Temperatures from -196 to +450 °C



Type 3244 Three-way Valve or Type 3241 Globe Valve with Type 3274 Electric Actuator

- Type 3241 Globe Valve, refer to Data Sheet ▶ T 8015
- Type 3244 Three-way Valve, refer to Data Sheet ▶ T 8026

The Type 3274 Electric Actuator is available in various versions (for details, refer to Data Sheet ▶ T 8340):

- With electric override
- With mechanical override
- With fail-safe action
- With additional electrical equipment (limit contacts, resistance transmitter, positioner)

Also available:

- Versions tested according to DIN EN 14597, refer to Data Sheet ▶ T 5871

Compliance



Ordering text

- Type 3241/3274 or Type 3244/3274 Electric Control Valve
- DN ..., PN ..., body material ...
- Type 3274-... Actuator
- Power supply ... V, ... Hz
- Optionally, special version



Fig. 1: Type 3241/3274

Fig. 2: Type 3244/3274

Table 1: Overview: Nominal sizes, K_{VS} coefficients, seat diameters and permissible differential pressures Δp in bar when $p_2 = 0$ bar

Table 1.1: Type 3241/3274 with unbalanced plug

K_{VS} coefficient	0.1	0.16	0.25	0.4	0.63	1.0	1.6	2.5	4.0	6.3	10	16	25	40	60	63	80	100	160	200	260	
Seat Ø [mm]	3			6			12			24			31	38	48	63		80		100	110	130
Travel [mm]	15															30	15	30				
DN																						
15	•	•	•	•	•	•	•	•	•	•												
20	•	•	•	•	•	•	•	•	•	•												
25	•	•	•	•	•	•	•	•	•	•	•											
32				•	•	•	•	•	•	•	•	•										
40				•	•	•	•	•	•	•	•	•	•									
50				•	•	•	•	•	•	•	•	•	•	•								
65													•	•	•							
80													•	•	•		•					
100																•		•	•			
125																		•	•	•		
150																•			•			•
Δp in bar when $p_2 = 0$ · Refer to ► T 8340 for thrust																						
Without balanced plug																						
-11/-15/-21	40	40	40	40	40	40	40	40	40	35.8	35.8	20.9	13.5	8.1	4.4	3.7	2.5	2.0	1.1	-	-	
-12/-16/-23	-	-	-	-	-	-	-	-	-	40	40	37.8	24.8	15.2	8.5	7.2	5.0	4.2	2.5	2.0	1.3	
-13/-17	-	-	-	-	-	-	-	-	-	40	40	40	32	19.4	11	11	6.7	6.6	4.0	3.2	2.2	
-14/-18	-	-	-	-	-	-	-	-	-	-	-	40	36.6	21	19.8	12.8	12	7.5	6.1	4.3		
-22	-	-	-	-	-	-	-	-	-	40	40	24.4	15.8	9.6	5.2	4.6	3.0	2.6	1.5	-	-	
Balanced (PTFE)/without bellows seal																						
-11/-15/-21	-	-	-	-	-	-	-	-	-	-	-	-	-	-	-	-	40	39	29.5	25	15	
-13/-17	-	-	-	-	-	-	-	-	-	-	-	-	-	-	-	-	40	40	40	40	40	
-22	-	-	-	-	-	-	-	-	-	-	-	-	-	-	-	-	40	40	40	38.7	28.5	
Balanced (PTFE)/with bellows seal																						
-11/-15/-21	-	-	-	-	-	-	-	-	-	-	-	-	-	-	-	-	27.5	5.7	3.8	2.9	0.9	
-13/-17	-	-	-	-	-	-	-	-	-	-	-	-	-	-	-	-	40	27.8	26	25	23	
-22	-	-	-	-	-	-	-	-	-	-	-	-	-	-	-	-	36	8.4	8.4	5.5	3.5	

Table 1.2: Type 3244/3274 as mixing and diverting valve

K_{VS} coefficient	2	4	6.3	10	6.3	10	16	25	25	40	60	80	100	140	160	200	300	
Seat Ø [mm]	24				31			38	48			63	75	80	90	100	110	130
DN																		
15	•	•																
20	•	•	•															
25	•	•	•	•														
32					•	•	•											
40					•	•	•	•										
50					•	•	•	•		•								
65									•	•	•							
80									•	•	•	•						
100													•		•			
125														•		•		
150																•	•	
Δp in bar when $p_2 = 0$ · Refer to ► T 8340 for thrust																		
-11/-15/-21	35.6	35.6	35.6	35.6	20.8	20.8	20.8	13.5	8.1	8.1	4.4	2.9	2.0	1.5	1.1	0.8	0.5	
-13	40	40	40	40	40	40	40	31.8	19.6	19.6	11.1	7.6	6.6	5.1	4.0	3.2	2.2	

Table 2: Dimensions and weights

Table 2.1: Type 3241 Valve (without actuator)

Nominal size	DN	15	20	25	32	40	50	65	80	100	125	150
Length L	mm	130	150	160	180	200	230	290	310	350	400	480
Height H1	mm	H2 + H										
Height H2	mm	222	222	222	223	223	223	262	262	354	363	390
Height H3	mm	61	61	61	61	61	61	61	61	75	75	75
Height H4, fail-close	mm	75	75	75	75	75	75	75	75	90	90	90
Height H5	mm	44	44	44	72	72	72	98	98	118	144	175
Weight (approx.)	kg	6	7.5	8	12	14	18	29	34	52	81	108

Table 2.2: Type 3241 Valve with insulating section/with bellows seal (without actuator)

Nominal size	DN	15	20	25	32	40	50	65	80	100	125	150
Height H9	Short/with bellows	mm	409	409	409	410	410	410	451	451	636	672
	Long/long with bellows	mm	713	713	713	714	714	714	755	755	877	913
Weight (approx.)	Short/with bellows	kg	9	10.5	11	18	20	24	37	42	70	138
	Long/long with bellows	kg	13	14.5	15	22	24	28	41	46	78	146

Table 2.3: Type 3241 Valve with heating jacket (not for valve body made of EN-GJL-250 und EN-GJS-400-18-LT)

Nominal size	DN	25	50	80	100
a	mm	110	140	180	200
b	mm	15	20	35	50
c	mm	140	170	215	255

Table 2.4: Type 3274 Actuator

Type 3274 Actuator		-11 to -14/-21 to -23	-15 to -18
Height H	mm	320	412
Height H6	mm	150	150
Weight (approx.)	kg	12	15

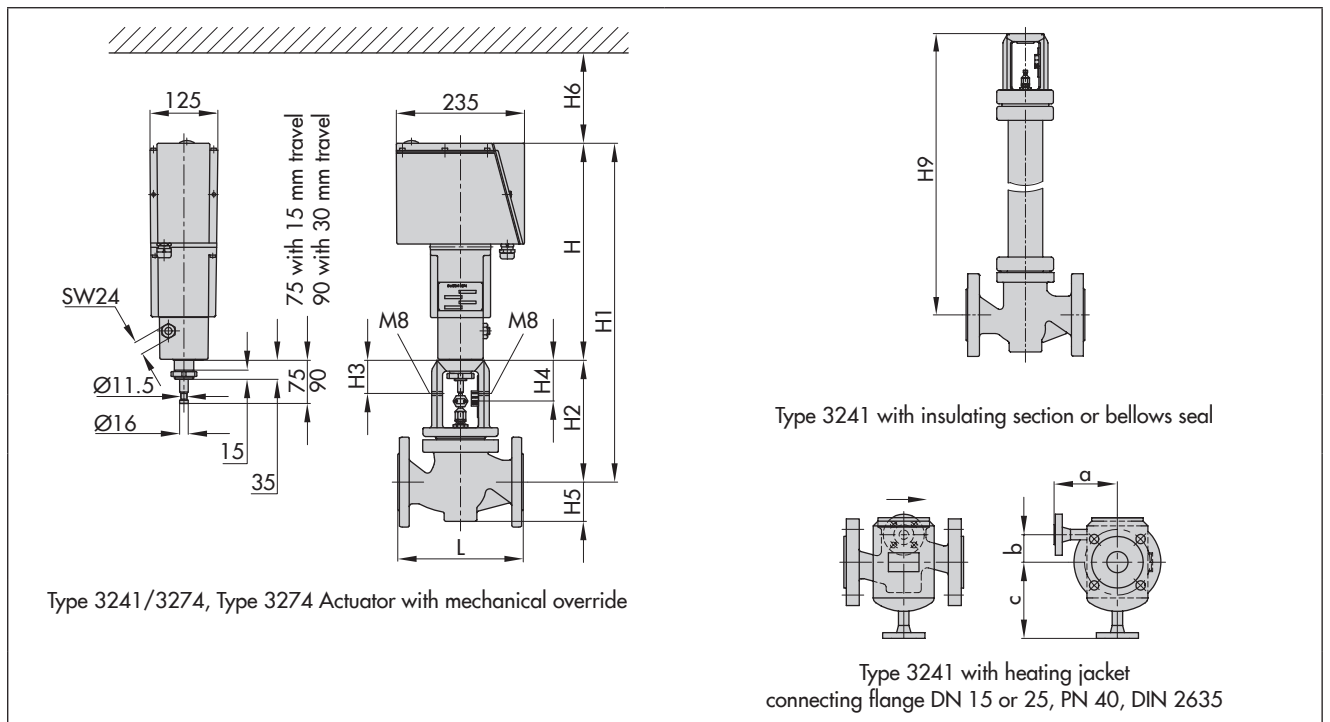


Table 2.5: Type 3244 Valve (without actuator)

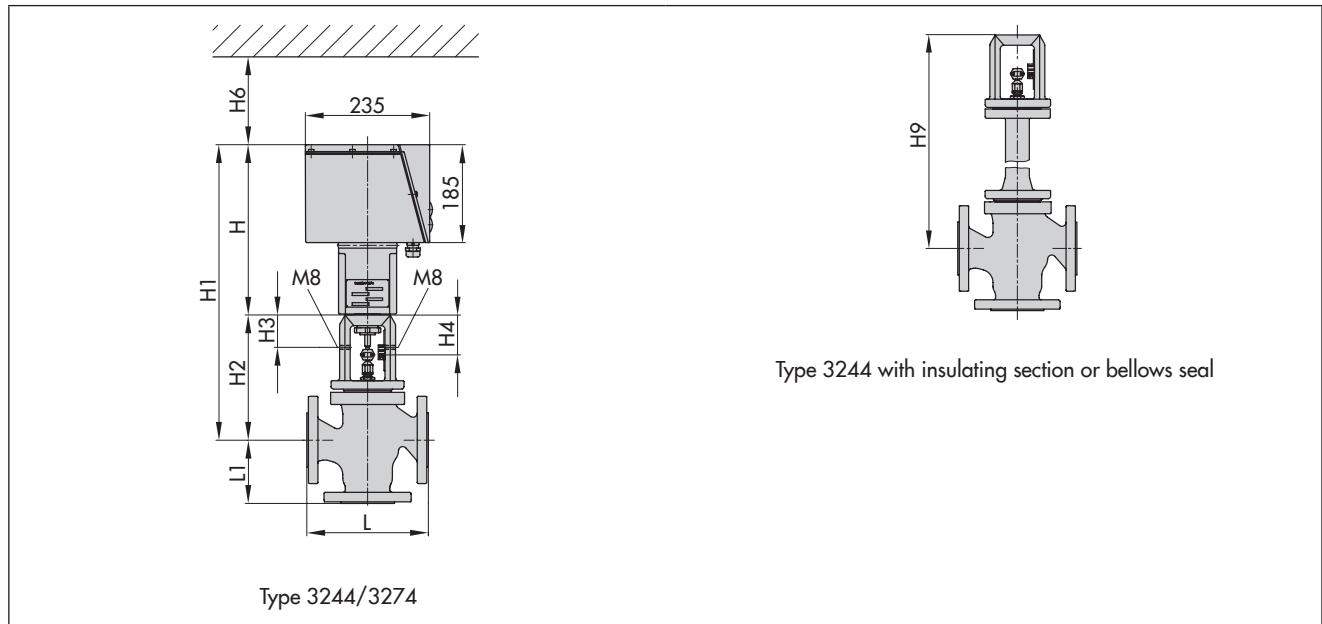
Nominal size	DN	15	20	25	32	40	50	65	80	100	125	150
Length L	mm	130	150	160	180	200	230	290	310	350	400	480
Length L1	mm	70	80	85	100	105	120	130	140	150	200	210
Height H1	mm	H2 + H										
Height H2	mm	235	235	235	235	235	235	270	270	360	375	375
Height H3	mm	61	61	61	61	61	61	61	61	75	75	75
Height H4, stem extended	mm	75	75	75	75	75	75	75	75	90	90	90
Weight (approx.)	kg	6	7	8	13	15	17	31	37	49	95	135

Table 2.6: Type 3244 Valve with insulating section/with bellows seal (without actuator)

Nominal size	DN	15	20	25	32	40	50	65	80	100	125	150	
Height H9	Short/with bellows	mm	420	420	420	420	420	420	455	455	645	655	655
	Long/long with bellows	mm	725	725	725	725	725	725	725	760	895	900	900
Weight (approx.)	Short/with bellows	kg	9	10	11	19	21	23	40	45	68	120	165
	Long/long with bellows	kg	13	14	15	23	25	27	44	49	76	128	173

Table 2.7: Type 3274 Actuator

Type 3274 Actuator		-11 to -14/-21 to -23	-15 to -18
Height H	mm	320	412
Height H6	mm	150	150
Weight (approx.)	kg	12	15



Specifications subject to change without notice



SAMSON AG · MESS- UND REGELTECHNIK
 Weismüllerstraße 3 · 60314 Frankfurt am Main, Germany
 Phone: +49 69 4009-0 · Fax: +49 69 4009-1507
 samson@samson.de · www.samson.de

T 5874 EN

2016-05-10 · English