

Application:

Flexible control unit for small automation systems



TROVIS 6611-2 is a freely programmable control and automation unit for autonomous operation and management of six I/O modules (up to 120 physical data points). It has an integrated color touch screen for visualization. The SAMSON graphical project management tool is required to create applications.

Special features

- Programming with SAMSON graphical project management tool (logic circuits, menu navigation, visualization, and start-up) or the use of ready-made applications
- Simple operation over color touch screen (3.5")
- Fast and easy start-up using a USB flash drive
- With user-defined event protocol
- Memory extension for logging purposes over USB
- Protocols: Modbus-TCP, Modbus-RTU, and BACnet IP
- Encrypted protocols and user role administration ensures highest security standard
- Integrated web interface
- Physical inputs and outputs at I/O bus only over modules (e.g. TROVIS 6620)

Ordering text

TROVIS 6611-2 Control and Automation Unit

Accessories

– TROVIS 6620-1 I/O Module	Configuration ID: 4829008
– TROVIS 6625 Input Module ¹⁾	Configuration ID: 2649861
– TROVIS 6630 AO Module	Configuration ID: 3714719
– TROVIS 6640 AI Module	Configuration ID: 3714720
– Room panel depending on application	On request

¹⁾ Only with 24 V AC power supply (not DC)



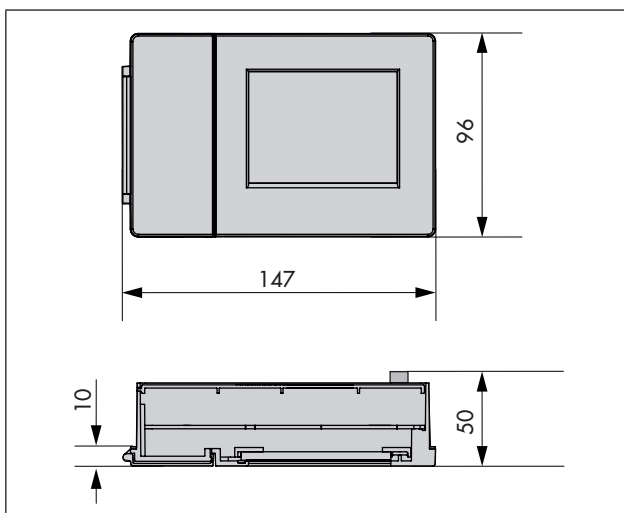
Fig. 1: TROVIS 6611-2 Control and Automation Unit

– TROVIS 6690 Graphical Project Management Tool (demo version)	Configuration ID: 3004922
– TROVIS 6690 Graphical Project Management Tool (1 AS version)	Configuration ID: 3004921
– TROVIS 6690 Graphical Project Management Tool (3 AS version)	Configuration ID: 3004920
– TROVIS 6690 Graphical Project Management Tool (full version)	Configuration ID: 2039168

Technical data of TROVIS 6611-2

Auxiliary power	
Power supply	24 V AC/DC
Power consumption	8 VA/W
Connection	2-pin screw clamp terminal (orange)
Wire cross-section	Up to 1.5 mm ²
Permissible ambient conditions	
Operating temperature	0 to 55 °C
Transportation and storage temperature	-20 to +70 °C
Relative humidity	5 to 95 %, no dew formation
Electromagnetic compatibility	
Noise emission	According to EN 61000-6-3
Noise immunity	According to EN 61000-6-2
Device safety	
Degree of protection	II according to DIN EN 61140
Overvoltage category	II according to DIN EN 60664-1
Degree of contamination	2 according to DIN EN 60664-1
Degree of protection	With seal for panel mounting: IP 41 according to IEC 60529
Display	
Key figures	3.5" QVGA, resistive touch screen
Resolution	320 x 240 pixel
Installation	
Dimensions	W x H x D including terminals: 147 x 96 x 50 mm
Mounting	Panel mounting
Panel cutout	W x H: 138 x 92 mm (recommended installation depth: min. 80 mm)
Weight	Approx. 0.4 kg
Interfaces	
Serial interfaces	1x RS-485 Modbus-RTU (3-pin screw clamp terminal) 1x RS-485 I/O bus (3-pin screw clamp terminal) for TROVIS 6620
Ethernet	1x RJ-45 10/100 Mbit, BACnet IP (AMEV Profile AS-A, AS-B)
USB	2x USB 2.0 A, (FAT32)
Compliance	
	CE EAC

Dimensions in mm



Specifications subject to change without notice



SAMSON AG · MESS- UND REGELTECHNIK
 Weismüllerstraße 3 · 60314 Frankfurt am Main, Germany
 Phone: +49 69 4009-0 · Fax: +49 69 4009-1507
 samson@samson.de · www.samson.de

T 6611-2 EN

2017-04-26 · English