

Series 240

Type 3241-1-Gas and Type 3241-7-Gas Automatic Shut-off Valves for Gases (valve class D)

DIN-DVGW typetested acc. to DIN EN 161 (2013-04)

SAMSON

Application

Control valve for control systems subject to the special safety requirements governing gas supply

For gaseous fuels according to Directive 2009/142/EC.

DN 15 to 150 · PN 40 · -20 to +220 °C



Automatic shut-off valve (Type 3241 Globe Valve) with:

- Type 3271 Pneumatic Actuator (Type 3241-1 Control Valve)
- Type 3277 Pneumatic Actuator for integral positioner attachment (Type 3241-7 Control Valve)

With mounted pilot valve (3/2-way solenoid valve) and a strainer (▶ T 1015).

The safety control valves, typetested according to DIN EN 161 (2013-04), are used to control the pressure, temperature or flow rate of gas-burning appliances. In the event of a malfunction, the valves shut off the gas supply. They meet the strict leakage requirements of Class D.

Valve body with undivided bonnet made of:

- Cast steel or cast stainless steel
- Forged steel 1.0460 (C 22.8) or 1.4571

The control valves, designed according to the modular assembly principle, can be equipped with various accessories according to IEC 60534-6-1 and NAMUR recommendation (see Information Sheet ▶ T 8350).

Version

Standard version for temperatures from -20 to +220 °C, body materials according to Table 3 · With soft-seated plug and bellows seal · With pneumatic actuator with pilot valve mounted on it and "fail-close" action · With Type 2 NI Strainer

- **Type 3241-1-Gas** · Automatic shut-off valve with Type 3271 Actuator (see Data Sheet ▶ T 8310-1)
- **Type 3241-7-Gas** · Automatic shut-off valve with Type 3277 Actuator (see Data Sheet ▶ T 8310-1)

Further versions

- **Typetested for heating systems** · See Data Sheet ▶ T 8016
- **ANSI version**



Fig. 1: Type 3241-7-Gas with Type 3963 Solenoid Valve and Type 3730 Positioner

Principle of operation

The process medium flows through the strainer and the valve in the direction indicated by the arrow. The plug stem is sealed by the metal bellows and a backup packing. The test connection enables the bellows to be monitored for leakages.

The signal pressure p_{st} is applied to the pilot valve (11) whose coil is connected to the safety interlock circuit (switch 14, Fig. 3 and Fig. 4). During operation, the coil is energized and the signal pressure p_{st} acts on the diaphragm. In the event of a malfunction, the pilot valve is activated and the pressure acting on the diaphragm is relieved, causing the control valve to close quickly.

DIN DVGW test mark

The valves were typetested by TÜV (German technical surveillance association) and received the test mark by DVGW (German Technical and Scientific Association for Gas and Water) as specified in Table 1.1.

Installation

Install the valves in horizontal pipelines in an upright position (diaphragm actuator on top). The process medium must flow through the valve in the direction indicated by the arrow.

Prior to start-up, make sure that the vent of the pilot valve and the pressure connection on the top case of the actuator are open.

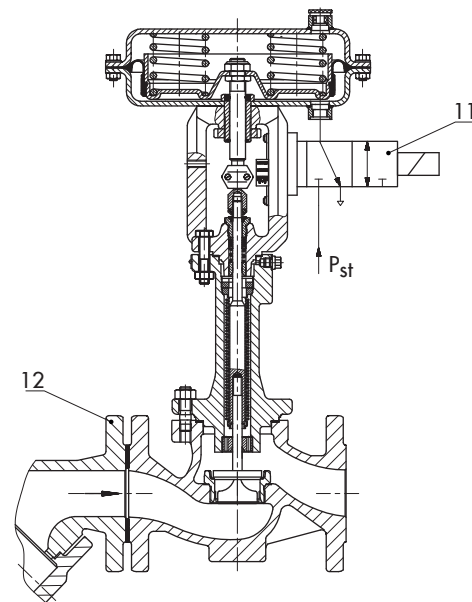


Fig. 2: Type 3241-1-Gas Automatic Shut-off Valve

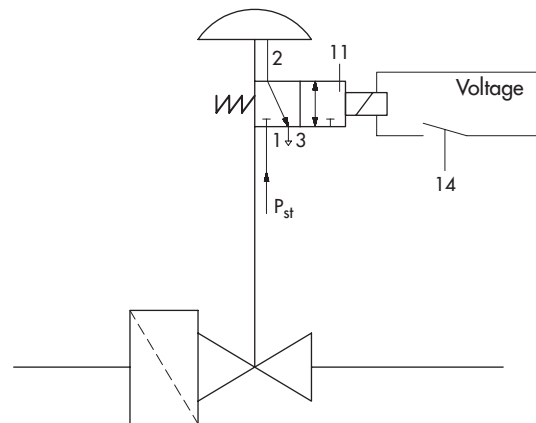


Fig. 3: Functional diagram showing version without positioner

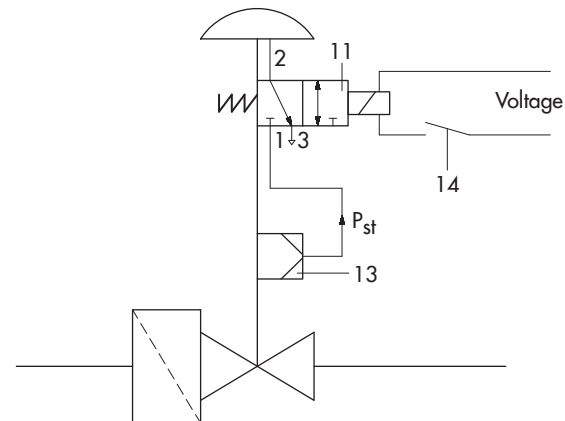


Fig. 4: Functional diagram showing version with positioner

Legend for Fig. 2 to Fig. 4

- 11 Pilot valve
- 12 Strainer
- 13 Positioner
- 14 Switch for safety interlock circuit

Table 1: Technical data · All pressures in bar (gauge)**Table 1.1:** Type 3241-1-Gas and Type 3241-7-Gas

Cast body: DN 15 to 150 · Forged body: DN 15 to 80

DIN DVGW test mark		CE-0085CQ0516																				
Valve size	DN	15			25			40			50			80			100			150		
Nominal pressure	PN	40																				
K _{VS} coefficient (without flow divider ST 1)		0.4	1.6	0.4	1.6	6.3	6.3	16	6.3	16	25	40	25	40	60	80	63	100	160	160	260	
		0.63	2.5	0.63	2.5	10	10	-	10	-	-	-	-	-	-	-	-	-	-	-	-	
		1.0	4.0	1.0	4.0	-	-	-	-	-	-	-	-	-	-	-	-	-	-	-	-	
K _{VS1} (with flow divider ST 1)		-	-	-	-	-	-	-	-	22	36	22	36	54	72	57	90	144	144	234		
Seat diameter	mm	6	12	6	12	24	24	31	24	31	38	48	38	48	63	80	63	80	100	100	130	
Permissible differential/operating pressure	bar	20												15			10		5			
Rated travel	mm	15												30								
Rangeability		50:1												30:1								
Permissible ambient temperature		-40 to +60 °C																				
Permissible medium temperature		-20 to +220 °C																				
Closing time		<5 s ¹⁾																				
Valve class		Valve class D																				
Strainer		Type 2 NI, special version for gas, 0.25 mm mesh size																				

¹⁾ Closing time <1 s when fitted with correspondingly sized pilot valves (possibly in combination with a quick exhaust valve)**Table 1.2:** Type 3271 or Type 3277 Pneumatic Actuator (versions without handwheel and without travel stop)

Actuator area in cm ²		175v2				355v2					750v2				
Signal pressure range	bar	0.8 to 2.4		1.7 to 3.3		2.35 to 2.95					1.6 to 2.4	1.65 to 2.65			
Required supply pressure	bar	2.7		3.6		3.25	3.3	3.25	3.3	3.25	2.7	3	2.95		
Max. supply pressure	bar	6				6					6				
Closing force	kN	1.4		3		8.34	8.3	8.34	8.3	8.34	12	12.4			
Fail-safe position		Fail-close													

Table 2: Pilot valves for Type 3241-1-Gas · Valid for closing time <5 s

Control valve			Solenoid valve manufacturer and model number			
Nominal size DN	Actuator [cm ²]	Fail-safe position	SAMSOMATIC model K _{vS} coefficient (Attachment: threaded connection)		Norgren series Herion (Attachment: NAMUR interface)	
			3963-xxxxx13 1.4	3963-xxxxx14 4.3	24011 ¹⁾	98015
15	175	Stem extends (FA) Fail-close	•	•	•	•
25	175		•	•	•	•
40	175		•	•	•	•
50	175		•	•	•	•
	355		•	•	•	•
80	355		•	•	•	•
	750		•	•	•	•
100	750		•	•	•	•
150	750		•	•	•	•

¹⁾ Herion Type 24011 Solenoid valve with quick exhaust module

Table 3: Materials (material numbers according to DIN EN)

Control valve	DN 15 to 150		DN 15 to 80		Strainer	
Body ¹⁾	Cast steel 1.0619	Cast stainless steel 1.4408	Forged steel 1.0460	Forged stainless steel 1.4571	Cast steel 1.0619	Cast stainless steel 1.4408
Valve bonnet	1.0460	1.4404	1.0460	1.4404	Standard strainer insert and dual strainer insert 1.4401	
Seat and plug	1.4404 Plug with soft seal, PTFE seal with 15 % glass fiber					
Guide bushing	1.4104	1.4404	1.4104	1.4404		
Packing	V-ring packing: PTFE with carbon · Spring: 1.4310					
Intermediate piece	1.0460	1.4404	1.0460	1.4404		
Metal bellows	1.4571					
Body gaskets	Graphite on metal core					

¹⁾ Special version: A216 WCC or A351 CF8M in Class 300. As a DIN version of the Type 2 NI Strainer is only available, a central strainer facility must be installed.

Table 4: Dimensions**Table 4.1: Type 3241 Valve**

Valve	DN	15	25	40	50	80	100 ¹⁾	150 ¹⁾	
Length L	mm	130	160	200	230	310	350	480	
Length L1	mm	260	320	400	460	620	700	960	
Height H1 with 175v2, 355v2 and 750v2 cm ² actuator area	mm	222		223		262	354	390	
H2	Cast steel	mm	44		72		98	118	175
	Forged steel	mm	53	70	92	98	128	–	

¹⁾ Only with valve body made of 1.0619 or 1.4408

Table 4.2: Types 3271 and 3277 Pneumatic Actuators

Actuator area	cm ²	175v2	355v2	750v2
Diaphragm ØD	mm	215	280	394
H ¹⁾	mm	78	121	236
H3 ²⁾	mm	110	110	190
H5	Type 3277 mm	101	101	101
Thread	Type 3271	M30 x 1.5		
	Type 3277	M30 x 1.5		
α	Type 3271	G ¼ (¼ NPT)	G ⅜ (⅜ NPT)	G ⅝ (⅝ NPT)
α2	Type 3277	G ⅝	G ⅝	G ⅝

¹⁾ Height with welded-on lifting eyelet or height of eyebolt according to DIN 580. Height of the swivel lifting hook may differ. Actuators up to 355v2 cm² without lifting eyelet

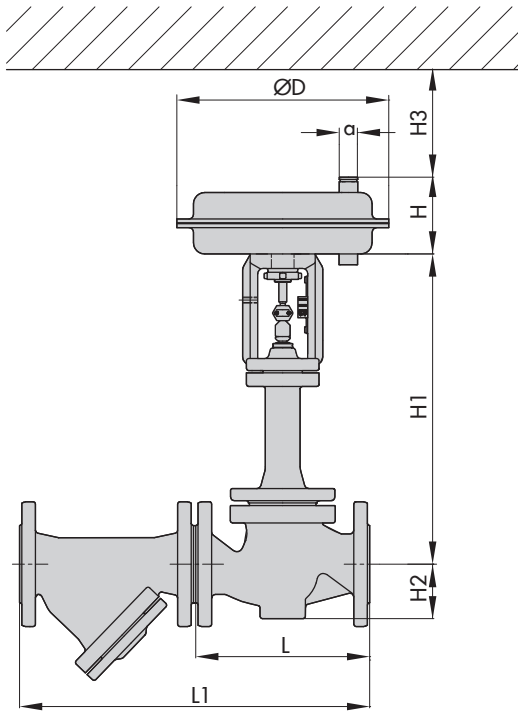
²⁾ Minimum clearance to remove actuator due to solenoid valve and bracket (see Fig. 1)

Table 5: Weights

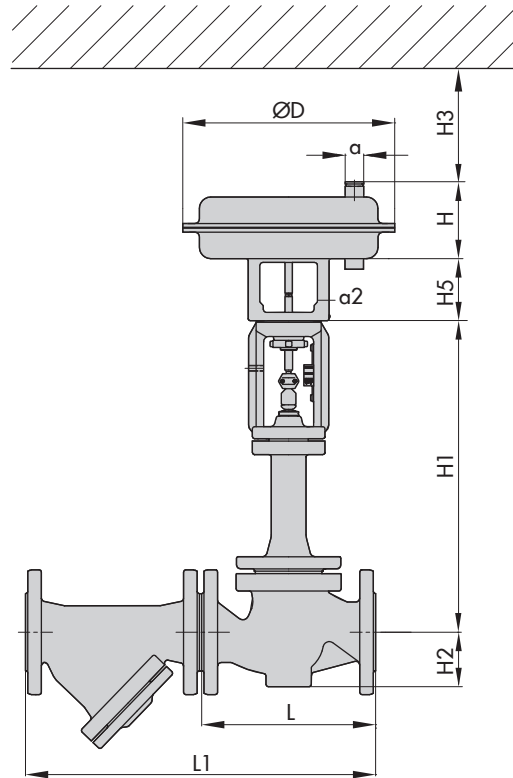
Valve	DN	15	25	40	50	80	100	150
Weight without actuator	kg (approx.)	8	10	18	21	38	60	150
Strainer								
Weight	kg (approx.)	2	4	7	10	19	28	60
Actuator								
		cm ²	175v2	355v2	750v2			
Weight of Type 3271 ¹⁾	kg (approx.)		6	15	36			
Weight of Type 3277 ¹⁾	kg (approx.)		10	19	40			
Solenoid valve		kg (approx.)	1					

¹⁾ Without handwheel

Dimensional drawings



Type 3241-1-Gas Automatic Shut-off Valve with Type 3271 Pneumatic Actuator



Type 3241-7-Gas Automatic Shut-off Valve with Type 3277 Pneumatic Actuator

Ordering text

Automatic shut-off valve for gas	Type 3241-1-Gas or Type 3241-7-Gas
Valve size	DN ...
Nominal pressure	PN ...
Flow coefficient	K_{VS} ...
Body material	According to Table 3
Characteristic	Equal percentage or linear
Flow divider St I	With/without
Actuator	Type 3271 or Type 3277
Actuator area	... cm ²
Fail-safe position	Fail-close or fail-open
Pilot valve	Manufacturer and type according to Table 2
Positioner	Type ...
Strainer	Type 2 NI

Specifications subject to change without notice



SAMSON AG · MESS- UND REGELTECHNIK
Weismüllerstraße 3 · 60314 Frankfurt am Main, Germany
Phone: +49 69 4009-0 · Fax: +49 69 4009-1507
samson@samson.de · www.samson.de

T 8020-2 EN

2017-12-18 · English