

Series V2001 Valves

Type 3321 Globe Valves

with electropneumatic, pneumatic, or electric actuators

SAMSON

ANSI version

Application

Control valves designed for mechanical and plant engineering.
Suitable for liquids, gases, and steam

Valve size NPS ½ to 4
Pressure rating Class 150 and 300
Temperature range 14 to 572 °F (-10 to +300 °C)



Type 3321 Globe Valves can be equipped with either electro-pneumatic, pneumatic, or electric actuators:

- Electropneumatic actuators with integrated or mounted i/p positioner (Type 3321-IP Control Valve)
- Pneumatic actuators (Type 3321-PP Control Valve)
- Electric actuators (Type 3321-E1 or Type 3321-E3 Control Valve)

Valve body materials

- Cast iron A 126 B for Class 125
- Cast steel A216 WCC for Class 150 or 300
- Stainless steel A351 CF8M for Class 150 or 300
- Metal or soft-seated valve plug

The control valves can be optionally equipped with positioners, limit switches, and resistance transmitters.

Versions

- **Type 3321-IP Electropneumatic Globe Valve** · With Type 3372 Electropneumatic Actuator, optionally with integrated positioner (120 cm² only, with plug connector, see Fig. 1) or Type 3725 Positioner (Fig. 3, Fig. 4), tight-closing function for completely venting or filling the actuator with air, reference variable 4 to 20 mA, max. 90 psi (6 bar) supply air, fail-safe position fail-close or fail-open, optionally with limit switch
- **Type 3321-PP Pneumatic Globe Valve** (Fig. 2) · With Type 3371 Pneumatic Actuator with 120 cm² (up to NPS 2) or Type 3371 with 350 cm² (NPS 2½ and larger), fail-safe position fail-close or fail-open, optionally with limit switch
- **Type 3321-E1 Electric Globe Valve** (Fig. 5) · NPS ½ to 2 with Type 5824-30 Electric Actuator for 230 V/50 Hz or 24 V/50 Hz, optionally with limit contacts, resistance transmitters, positioner
- **Type 3321-E3 Electric Globe Valve** (Fig. 6) · With Type 3374 Electric Actuator for 230 V or 24 V/50 Hz, 110 V/60 Hz, optionally with fail-safe action (typetested), limit contacts, resistance transmitters, positioner



Fig. 1: Type 3321-IP



Fig. 2: Type 3321-PP



Fig. 3: Type 3321-IP up to NPS 2 with Type 3725 Positioner



Fig. 4: Type 3321-IP for NPS 2½ and larger with Type 3725 Positioner



Fig. 5: Type 3321-E1



Fig. 6: Type 3321-E3

Further versions

- **Explosion-protected** version with electric actuators · On request
- **Type 3321 according to DIN standards** · See Data Sheet ▶ T 8111
- **Insulating section** on request
- **Flow divider St I** for noise reduction on request

Principle of operation

The process medium flows through the valve in the direction indicated by the arrow in the flow-to-open direction (Fig. 8, Fig. 9). The valve plug position determines the cross-sectional area between the seat and plug. The plug stem is connected to the actuator stem by the stem connector and sealed with a self-adjusting packing.

Fail-safe action

The control valve has two different fail-safe positions that become effective when the supply air fails:

- **Actuator stem extends (fail-close):** The valve closes when the supply air fails.
- **Actuator stem retracts (fail-open):** The valve opens when the supply air fails.

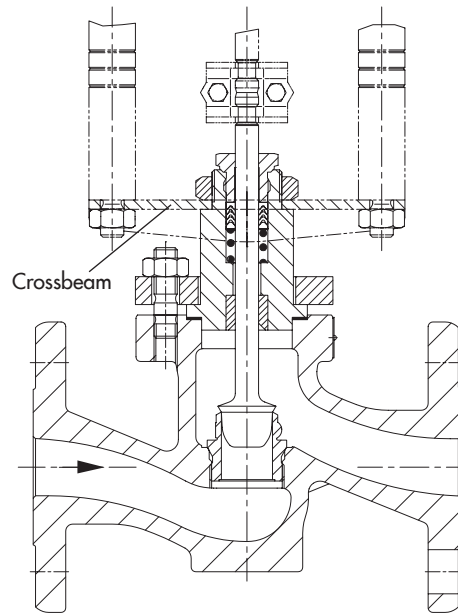


Fig. 8: Type 3321 Globe Valve, NPS ½ to 2

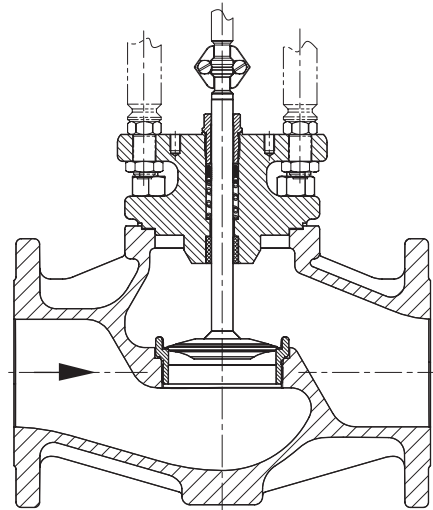


Fig. 9: Type 3321 Globe Valve, NPS ½ to 4

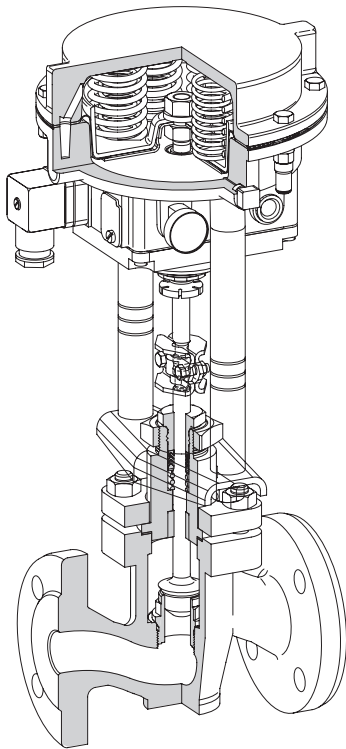


Fig. 7: Type 3321-IP Globe Valve, NPS ½ to 2, actuator with integrated electropneumatic positioner

Associated documentation

Valve and actuator are delivered separately. Instructions on how to mount the valve on the actuator can be found in the mounting and operating instructions delivered with the product:

▶ EB 8111

Type 3321 Globe Valve

▶ EB 8313-1 and

▶ EB 8313-3

▶ EB 8317

▶ EB 5824

▶ EB 8331-1

Actuator for Type 3321-IP

Actuator for Type 3321-PP

Actuator for Type 3321-E1

Actuator for Type 3321-E3

Table 1: Type 3321 Globe Valve

Table 1.1: Technical data

Valve size	NPS	1 · 1½ · 2 · 2½ · 3 · 4	½ · ¾ · 1 · 1½ · 2 · 2½ · 3 · 4
Material		A 126 B	A 216 WCC · A351 CF8M
Connection	Flanges	Flat face (FF)	Raised face · Ra = 3.2 to 6.3 µm
Pressure rating		Class 125	Class 150 or 300
Seat-plug seal		Metal or soft sealing	
Characteristic		Inherent characteristic according to ▶ T 8000-3	
Rangeability		50:1 for NPS ½ to 2 50:1 for NPS 2½ to 4	
Medium temperature range		14 to 430 °F · (-10 to +220 °C)	
With insulating section ¹⁾		14 to 572 °F · (-10 to +300 °C)	
Leakage class according to ANSI/FCI 70-2		Metal seal: IV Soft seal: VI	
Compliance		CE · EAC	

¹⁾ Not for stainless steel with NPS 2½ to 4

Table 1.2: Materials

Valve size	NPS	½ · ¾ · 1 · 1½ · 2 · 2½ · 3 · 4		
Valve body		A 126 B	Cast steel A216 WCC	Stainless steel A351 CF8M
Valve bonnet		Up to NPS 2: A 105 NPS 2½ and larger: A 216 B	Up to NPS 2: A 105 NPS 2½ and larger: A216 WCC	Up to NPS 2: A182 F316 NPS 2½ and larger: CF8M
Valve flange ¹⁾		1.0460/A 105		
Seat and plug	Seat	Up to 12 mm seat diameter: 1.4305 Seat diameter 24 mm and larger: 1.4104 NPS 2½ and larger: 1.4006		Up to NPS 2: 1.4305/1.4104 NPS 2½ and larger: in the valve body
	Plug	Up to NPS 2: 1.4305 NPS 2½ and larger: 1.4404		
Seal for soft-seated plug		PTFE with glass fiber		
Guide bushing		1.4104		
Packing		V-ring packing: PTFE with carbon		
Body gasket		Graphite on metal core		

¹⁾ No contact with process medium; only up to NPS 2. For NPS 2½ and larger: one-pieced (see valve bonnet for material)

Table 1.3: Overview: Nominal sizes, C_v and C_{vI} coefficients (with flow divider St I) and seat diameters

Valve size	NPS	½		¾	1	1½	2	2½	3	4									
	DN	15		20	25	40	50	65	80	100									
Flow rate	C_v	0.3	0.75	2	5	3	7.5	5	12	12	30	20	40	47	120	47	120	47	190
	K_{vS}	0.25	0.63	1.6	4	2.5	6.3	4	10	10	25	16	35	40	100	40	100	40	160
With flow divider St I	C_{vI}	-		1.7	4.2	2.6	7	4.2	10.5	10.5	26	17	36	42	105	42	105	42	170
	K_{vSI}	-		1.45	3.6	2.2	5.7	3.6	9	9	22	14.5	31	36	90	36	90	36	144
Seat Ø	inch	0.12	0.24	0.47		0.47	0.94	0.47	0.94	0.94	1.50	1.26	1.89	1.89	3.15	1.89	3.15	1.89	3.15
	mm	3	6	12		24	12	24	12	24	38	32	48	48	80	48	80	48	80
Rated travel		0.59" · 15 mm																	1.18" 30 mm

Table 2: Pneumatic actuators**Table 2.1: Technical data**

Valve/actuator	Type 3321-IP/Type 3372		Type 3321-PP/Type 3371		
Actuator area	120 cm ²	350 cm ² (NPS 2½ and larger)	120 cm ²	350 cm ² (NPS 2½ and larger)	
Fail-safe action	Fail-close or fail-open				
Reference variable	4 to 20 mA		-		
Bench range/ rated travel	Fail-close	30 to 48 psi/15 mm (2.1 to 3.3 bar)	32 to 55 psi/30 mm (2.2 to 3.8 bar)	30 to 48 psi/15 mm (2.1 to 3.3 bar)	32 to 55 psi/30 mm (2.2 to 3.8 bar)
	Fail-open	6 to 20 psi/15 mm (0.4 to 1.4 bar)	22 to 39 psi/30 mm (1.5 to 2.7 bar)	6 to 20 psi/15 mm (0.4 to 1.4 bar)	22 to 39 psi/30 mm (1.5 to 2.7 bar)
Characteristic	Equal percentage		-		
Hysteresis	≤1 %		-		
Variable position	≤7 %		-		
Degree of protection	IP 54 with integrated positioner (only for 120 cm ²) IP 66 with Type 3725		-		
Permissible ambient temperature	Standard: -4 to +176 °F (-20 to +80 °C) With metal cable gland: -22 to +176 °F (-30 to +80 °C)		-31 to +194 °F (-35 to +90 °C)		
Actuator data	▶ T 8313		▶ T 8317		

Table 2.2: Materials

Actuator	Type 3372		Type 3371	
Actuator area	120 cm ²	350 cm ²	120 cm ²	350 cm ²
Actuator housing	GD-ALSi12	1.0330	GD-ALSi12	1.0330
Diaphragm	NBR		NBR	
Actuator stem	1.4305	1.4571	1.4305	1.4571
Positioner housing				
Integrated version	POM-GF	-	-	-
Type 3725	Polyphthalamide (PPA)		-	
Yoke				
Stem	9SMn28K	1.0715+C	9SMn28K	1.0715+C
Crossbeam	1.4301	-	1.4301	-
Mounting bracket for Type 3725	Aluminum		-	

Table 2.3: Permissible differential pressures for metal-seated plug · Fail-close

Actuator area	cm ²	120		350	
		psi	bar	psi	bar
Bench range	psi	30 to 48		30 to 39	32 to 55
	bar	2.1 to 3.3		2.1 to 2.7	2.2 to 3.8
Valve travel	mm	15		15	30
Supply pressure	psi	55 to 90		62 to 90	
	bar	3.7 to 6.0		4.3 to 6.0	
C _v	K _{vS}	Δp when p ₂ = 0 psi (bar)			
0.3 to 5	0.25 to 4.0	695 (48)		-	-
7.5 · 12	6.3 · 10	580 (40)		-	-
20	16	360 (25)		-	-
30	25	250 (17)		-	-
40	35	160 (11)		-	-
47	40	145 (10) ¹⁾	490 (34)		-
120	100	43 (3) ¹⁾	145 (10)		-
190	160	-	-		145 (10)

¹⁾ Attachment without crossbeam on actuator (form C attachment), see ▶ EB 8313-3 and ▶ EB 8317

Table 2.4: Permissible differential pressures for metal-seated plug · Fail-open

Actuator area		cm ²	120			350			
Bench range	psi		6 to 20			22 to 30	22 to 39	22 to 30	22 to 39
	bar		0.4 to 1.4			1.5 to 2.1	1.5 to 2.7	1.5 to 2.1	1.5 to 2.7
Valve travel		mm	15						
Supply pressure	psi		36	50	64	60		90	
	bar		2.5	3.5	4.4	4.0		6.0	
C_v	K_{vs}		Δp when $p_2 = 0$ psi (bar)						
0.3 to 5	0.25 to 4.0		695 (48)	695 (48)	695 (48)	–	–	–	–
7.5 to 12	6.3 · 10		320 (22)	580 (40)	580 (40)	–	–	–	–
20	16		160 (11)	360 (25)	495 (34)	–	–	–	–
30	25		115 (8)	250 (17)	350 (24)	–	–	–	–
40	35		65 (4.5)	145 (10)	220 (15)	–	–	–	–
47	40		60 (4) ¹⁾	130 (9) ¹⁾	220 (15) ¹⁾	390 (27)	–	580 (40)	–
120	100		–	45 (3) ¹⁾	65 (4.5) ¹⁾	140 (9.5)	–	320 (22)	–
190	160		–	–	–	–	140 (9.5)	–	320 (22)

¹⁾ Attachment without crossbeam on actuator (form C attachment), see ► EB 8313-3 and ► EB 8317

Table 2.5: Permissible differential pressures for soft-seated plug · Fail-close

Actuator area		cm ²	120		350		
Bench range	psi		30 to 48		30 to 39		32 to 55
	bar		2.1 to 3.3		2.1 to 2.7		2.2 to 3.8
Valve travel		mm	15		15		30
Supply pressure	psi		55 to 90		62 to 90		
	bar		3.7 to 6.0		4.3 to 6.0		
C_v	K_{vs}		Δp when $p_2 = 0$ psi (bar)				
0.3 to 5	0.25 to 4.0		695 (48)		–		–
7.5 to 12	6.3 · 10		580 (40)		–		–
20	16		390 (27)		–		–
30	25		275 (19)		–		–
40	35		175 (11)		–		–
47	40		145 (10) ¹⁾		520 (36)		–
120	100		45 (3) ¹⁾		145 (10)		–
190	160		–		–		145 (10)

¹⁾ Attachment without crossbeam on actuator (form C attachment), see ► EB 8313-3 and ► EB 8317

Table 2.6: Permissible differential pressures for soft-seated plug · Fail-open

Actuator area		cm ²	120			350			
Bench range	psi		6 to 20			22 to 30	22 to 39	22 to 30	22 to 39
	bar		0.4 to 1.4			1.5 to 2.1	1.5 to 2.7	1.5 to 2.1	1.5 to 2.7
Valve travel		mm	15			15	30	15	30
Supply pressure	psi		36	50	64	60		90	
	bar		2.5	3.5	4.4	4.0		6.0	
C_v	K_{vs}		Δp when $p_2 = 0$ psi (bar)						
0.3 to 5	0.25 to 4.0		695 (48)	695 (48)	695 (48)	–	–	–	–
7.5 to 12	6.3 · 10		360 (25)	580 (40)	580 (40)	–	–	–	–
20	16		205 (14)	390 (27)	520 (36)	–	–	–	–
30	25		140 (9.5)	275 (19)	375 (26)	–	–	–	–
40	35		90 (6)	175 (12)	230 (16)	–	–	–	–
47	40		65 (4.5) ¹⁾	145 (10) ¹⁾	220 (15) ¹⁾	420 (29)	–	580 (40)	–
120	100		–	45 (3) ¹⁾	80 (5.5) ¹⁾	145 (10)	–	335 (23)	–
190	160		–	–	–	–	145 (10)	–	335 (23)

¹⁾ Attachment without crossbeam on actuator (form C attachment), see ► EB 8313-3 and ► EB 8317

Table 3: Electric actuators

Table 3.1: Permissible differential pressures for metal-seated plug · All pressures in psi (bar)

Globe valve		Type	3321-E1	3321-E3		
With actuator		Type	5824-30	3374-10/-11	3374-21/-31	3374-10/-11
Positioning force			0.7 kN	1.25 kN	2.0 kN	2.5 kN
C_v	K_{vs}	Δp when $p_2 = 0$ psi (bar)				
0.3 to 5	0.25 to 4.0	695 (48)	695 (48)	695 (48)	695 (48)	695 (48)
7.5 · 12	6.3 · 10	130 (9)	261 (18)	464 (32)	580 (40)	580 (40)
20	16	65 (4.5)	130 (9)	250 (17)	360 (25)	360 (25)
30	25	43 (3)	87 (6)	175 (12)	250 (17)	250 (17)
40	35	21 (1.5)	43 (3)	101 (7)	145 (10)	145 (10)
47	40	–	43 (3)	108 (7.5)	145 (10)	145 (10)
120	100	–	–	29 (2)	43 (3)	43 (3)
190 ¹⁾	160 ¹⁾	–	–	–	43 (3) ²⁾	43 (3) ²⁾
Actuator data		See Data Sheet	▶ T 5824	▶ T 8331		

¹⁾ With 30 mm travel

²⁾ Only with Type 3374-10

Table 3.2: Permissible differential pressures for soft-seated plug · All pressures in psi (bar)

Globe valve		Type	3321-E1	3321-E3		
With actuator		Type	5824-30	3374-10/-11	3374-21/-31	3374-10/-11
Positioning force			0.7 kN	1.25 kN	2.0 kN	2.5 kN
C_v	K_{vs}	Δp when $p_2 = 0$ psi (bar)				
0.3 to 5	0.25 to 4.0	695 (48)	695 (48)	695 (48)	695 (48)	695 (48)
7.5 · 12	6.3 · 10	175 (12)	304 (21)	464 (32)	580 (40)	580 (40)
20	16	94 (6.5)	175 (12)	250 (17)	390 (27)	390 (27)
30	25	65 (4.5)	116 (8)	175 (12)	275 (19)	275 (19)
40	35	43 (3)	72 (5)	101 (7)	175 (12)	175 (12)
47	40	–	72 (5)	130 (9)	145 (10)	145 (10)
120	100	–	–	43 (3)	58 (4)	58 (4)
190 ¹⁾	160 ¹⁾	–	–	–	58 (4) ²⁾	58 (4) ²⁾
Actuator data		See Data Sheet	▶ T 5824	▶ T 8331		

¹⁾ With 30 mm travel

²⁾ Only with Type 3374-10

Table 4: Type of attachment and required adapter

Type 3321 Valve		NPS ½ to 2	NPS 2½ to 4
Type 3372 Actuator with connector (Fig. 1)	Version:	IP	Attachment with crossbeam (form B)
Type 3372 Actuator with Type 3725 Positioner (Fig. 3, Fig. 4)		IP	Attachment with crossbeam (form B) / Attachment without crossbeam (form C)
Type 5824-30 Actuator (Fig. 5)		E1	With adapter (1400-7414)
Type 3374-11/-21/-31 Actuator (Fig. 6)		E3	Attachment with crossbeam (form B) / With adapter (1400-9515)
Type 3374-10 Actuator		E3	– / With adapter (1400-9515)
Type 3371 Actuator (Fig. 2)		PP	Attachment with crossbeam (form B) / Attachment without crossbeam (form C)

Table 5: Dimensions and weights for Type 3321 Valve

Valve size	NPS	½	¾	1	1½	2	2½	3	4
	DN	15	20	25	40	50	65	80	100
L Class 150	in	7.25	7.25	7.25	8.75	10.0	10.87	11.75	13.87
	mm	184	184	184	222	254	276	298	352
L Class 300	in	7.50	7.62	7.75	9.25	10.50	11.50	12.50	14.50
	mm	191	194	197	235	267	292	318	368
H1	in	4.3	4.3	4.3	4.5	4.5	7.0	7.0	7.9
	mm	110	110	110	115	115	178	178	201
H2	in	1.6	1.6	1.6	2.8	2.8	3.9	3.9	4.4
	mm	40	40	40	72	72	98	98	113
H4 (with insulating section)	in	10.3	10.3	10.3	10.4	10.4	12.8	12.8	12.8
	mm	261	261	261	265	265	325	325	325
Weight	lbs	14	16	18	27	36	58	71	97
	kg	6	7	8	12	16	26	32	44
Weight (with insulating section)	lbs	19.8	22.1	24.3	39.7	48.5	75	88.2	136.7
	kg	9	10	11	18	22	34	40	62

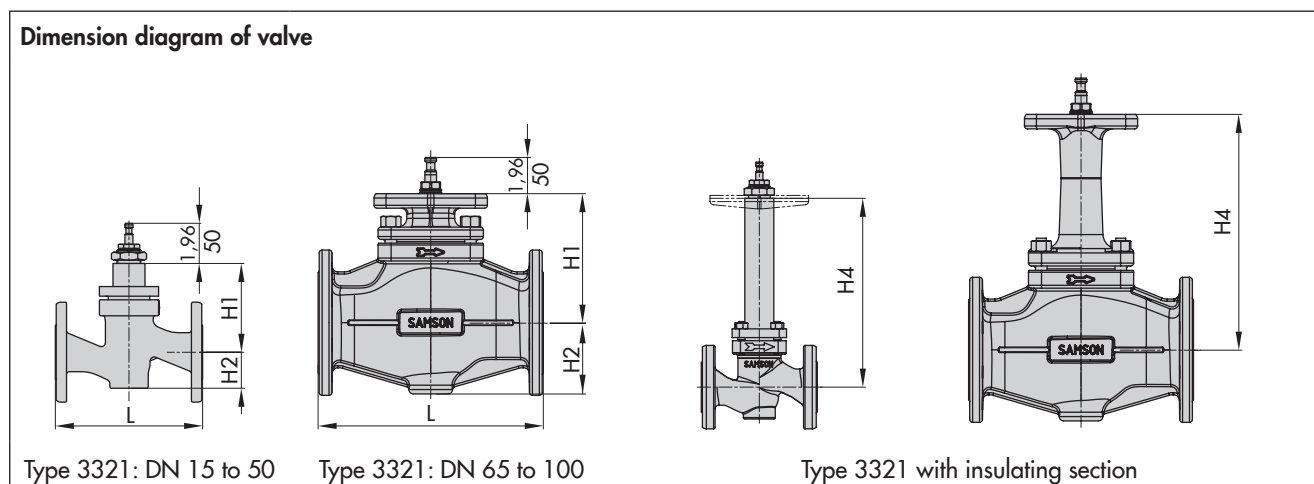
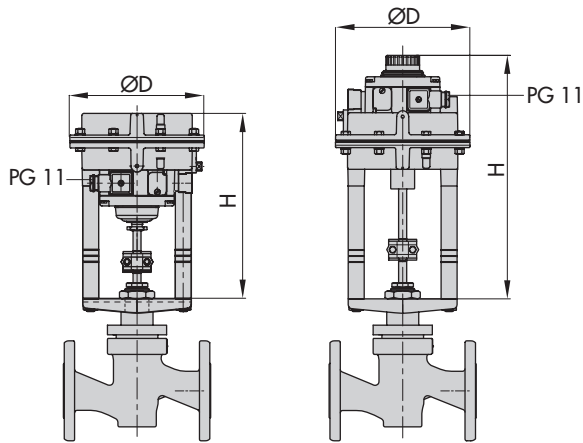


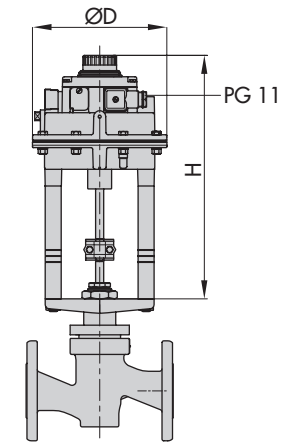
Table 6: Dimensions and weights for Type 3372 Electropneumatic Actuator

Positioner		Integrated		Type 3725	
Actuator area	cm ²	120	120	120	350
Fail-safe position ¹⁾		Stem extends	Stem retracts	Stem extends/retracts	
Height H	in	9.3	12.2	7.2	9.1
	mm	236	309	182	231
ØD	in	6.6	6.6	6.6	11.0
	mm	168	168	168	280
Weight (without positioner)	lbs	8.2	8.2	7.3	33.1
	kg	3.7	3.7	3.3	15

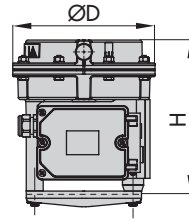
Dimension diagrams for electropneumatic control valves



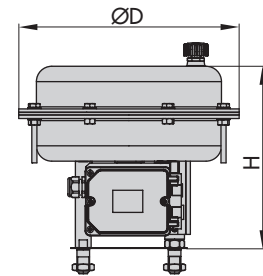
Type 3321-IP ·
Valve DN 15 to 50 with
Type 3372 Electropneumatic
Actuator with integrated
positioner, stem extends



Type 3321-IP ·
Valve DN 15 to 50 with
Type 3372 Electropneumatic
Actuator with integrated
positioner, stem retracts



Type 3372 Electropneumatic
Actuator (120 cm²) with
Type 3725 Positioner,
stem extends/retracts

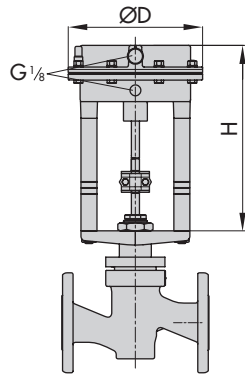


Type 3372 Electropneumatic
Actuator (350 cm²) with
Type 3725 Positioner,
stem extends/retracts

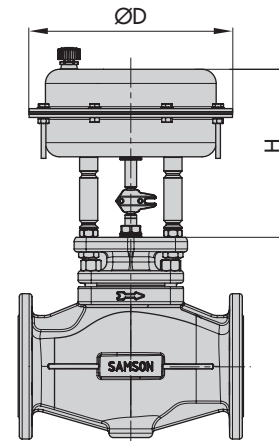
Table 7: Dimensions and weights for Type 3371 Pneumatic Actuator

Actuator area	cm ²	120	350
Fail-safe position		Stem extends/retracts	Stem extends/retracts
Height H	in	7.2	9.1
	mm	182	231
ØD	in	6.6	11.0
	mm	168	280
Weight	lbs	7.3	33.1
	kg	3.3	15

Dimension diagrams for pneumatic control valves



Type 3321-PP ·
Valve DN 15 to 50 with Type 3371 Pneumatic Actuator
(120 cm²), stem extends/retracts

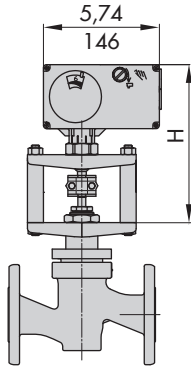


Type 3321-PP ·
Valve DN 65 to 100 with Type 3371 Pneumatic Actuator
(350 cm²), stem extends/retracts

Table 8: Dimensions and weights for Type 5824/5825 and Type 3374 Electric Actuators

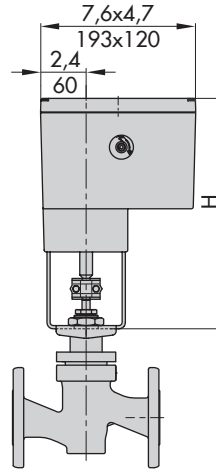
Type		5824, 5825	3374
Height H	in	8.0	11.6
	mm	203	294
Weight (max.)	lbs	2.8	8.8
	kg	1.25	4

Dimension diagrams for electric control valves



Type 3321-E1 ·

Valve with Type 5824 Electric Actuator, stem extends/retracts



Type 3321-E3 ·

Valve with Type 3374 Electric Actuator, stem extends/retracts

Ordering text

The following specifications are required on ordering:

Type 3321 Globe Valve

Valve size	NPS ...
Flow coefficients	C_V ... or K_{VS} ...
Pressure rating	Class 150 or 300
Body material	Cast iron, cast steel, or stainless steel
Seat-plug seal	– Metal seal – Soft seal
Options	– Flow divider St I – Insulating section

Actuators

for **Type 3321-IP**: Type 3372 Electropneumatic Actuator

120 cm² actuator area with integrated positioner, 4 to 20 mA

350 cm² actuator area with Type 3725 or Type 3730-x

Positioner, 4 to 20 mA

Optional Intrinsicly safe Ex ia

Additional equipment Limit switch (1 or 2)

for **Type 3321-PP**: Type 3371 Pneumatic Actuator

Fail-safe position Fail-close or fail-open

Bench range Fail-close: 30 to 48 psi
(1.4 to 2.3 bar)
Fail-open: 6 to 20 psi
(0.4 to 1.4 bar)

Additional equipment Limit switch (1 or 2)

For **Type 3321-E1**: Type 5824-30 Electric Actuator

Power supply – 230 V/50 Hz
– 24 V/50 Hz

Additional equipment – Two limit contacts
– Resistance transmitter 0 to
1000 Ω
– Positioner
input
0/4 to 20 mA or 0/2 to 10 V

For **Type 3321-E3**: Type 3374 Electric Actuator

Fail-safe position Fail-close or fail-open

Thrust

With fail-safe action 2 kN

Without fail-safe
action 1.25 kN; 2.5 kN

Power supply – 230 V/50 Hz
– 24 V/50 Hz
– 110 V/60 Hz

Additional equipment – Two limit contacts
– Resistance transmitter 0 to
1000 Ω
– Digital positioner with input and
output 0/4 to 20 mA or 0/2 to
10 V

Specifications subject to change without notice



SAMSON AG · MESS- UND REGELTECHNIK
Weismüllerstraße 3 · 60314 Frankfurt am Main, Germany
Phone: +49 69 4009-0 · Fax: +49 69 4009-1507
samson@samson.de · www.samson.de

T 8112 EN

2016-06-02 · English