

Stainless Steel Tank Bottom Valve

Pfeiffer Type BR 22a



Application

Tight-closing stainless steel ball valve for corrosive media, especially designed for demanding applications in chemical plants.

Nominal size DN 25 to DN 150

Nominal pressure PN 16 to 40

Temperatures -10 to 200 °C

Stainless steel ball valve equipped with:

- Pneumatic actuator or
- Lever

Body material:

- Cast stainless steel 1.4408
- 1.4571 (1.4581)

Ball material:

- Stainless steel

Further features:

- TA-Luft (German clean air act) equivalent certification
 - Exchangeable PTFE seat rings
 - Ball shaft sealed by a spring-loaded PTFE V-ring packing
- The ball valves with pneumatic actuator can be equipped with positioner, solenoid valve and other devices in accordance with VDI/VDE 3845.

Versions

Standard version · Pfeiffer Type BR 22a Stainless Steel Tank Bottom Valve, nominal pressure PN 16 to 40 with the following nominal sizes:

Inlet DN	50	80	100	150	200
Outlet DN	50				–
	–	80			–
	–	100			–
	–	150			–

– **BR 22a** · With pneumatic rotary actuator with or without fail-safe position

– **BR 22a** (Fig. 2) · With lever

Other versions

- Body, ball and ball shaft made of nickel, titanium or other stainless steel materials
 - Ball shaft sealing with two PTFE V-ring packings and test connection
 - Ball valves for temperatures up to 350 °C
 - Connecting flanges acc. to ANSI Class 150/300 on request
- Please contact us for more details.

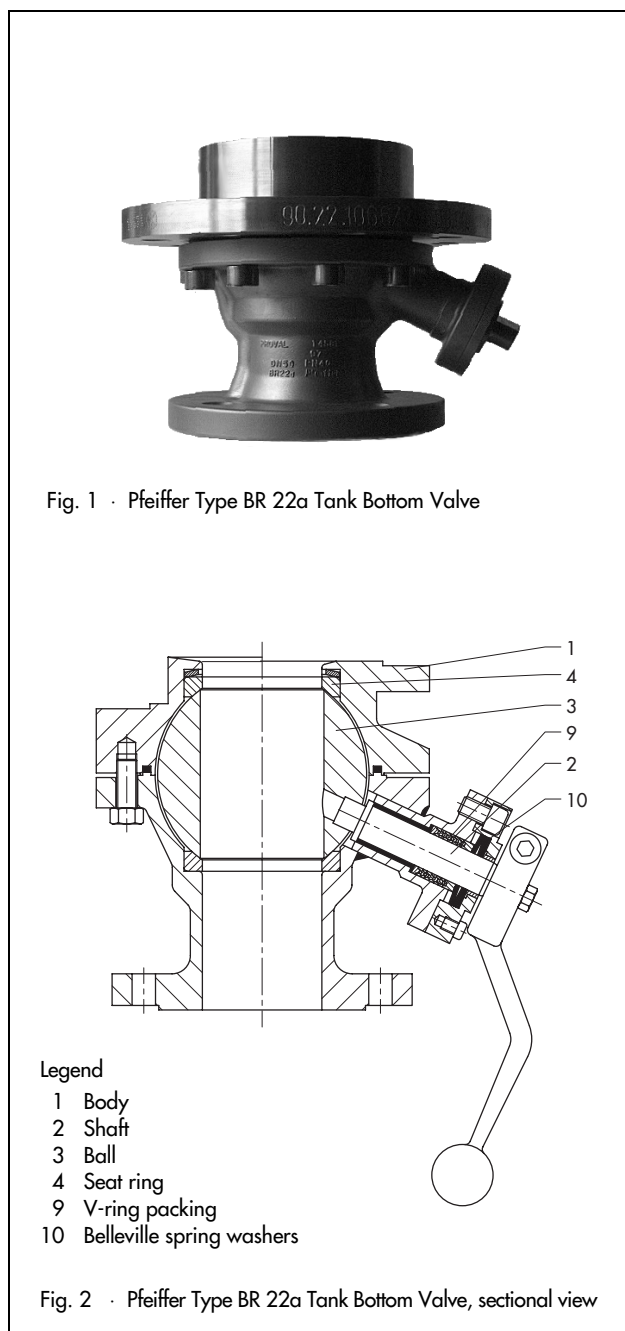


Fig. 1 · Pfeiffer Type BR 22a Tank Bottom Valve

- Legend
- 1 Body
 - 2 Shaft
 - 3 Ball
 - 4 Seat ring
 - 9 V-ring packing
 - 10 Belleville spring washers

Fig. 2 · Pfeiffer Type BR 22a Tank Bottom Valve, sectional view



SAMSON AG · MESS- UND REGELTECHNIK
Weismüllerstraße 3 · 60314 Frankfurt/Main · Germany
Phone +49 69 4009-0 · Fax +49 69 4009-1507
Internet: <http://www.samson.de>

T 9932 EN