

Sizes: MN200, MN300

Version:

- Diaphragm
- Rotary actuator

Travel:

- 40 / 52 mm

Opening angle:

- 75°

Spring position:

- Centrally arranged spring

Diaphragm area:

- 330 to 735 cm²

Spring torques:

- 33 to 146 Nm

Supply air range:

- 3 to 4 bar

Ambient temperature range:

- -20 to 80 °C / -4°F to 176 °F

Mounting of accessories:

- VDI/VDE 3845

Principle of operation:

The Type MN Actuator is equipped with a diaphragm and a centrally arranged return spring on the inside. The freely supported piston rod is directly connected to the lever for the valve shaft. The short travel ensures very short actuating times. In addition, the actuator is designed for very fine and precise control.

The actuator can be equipped with additional manual gears as well as end stops.



Fig. 1: Type MN Actuator

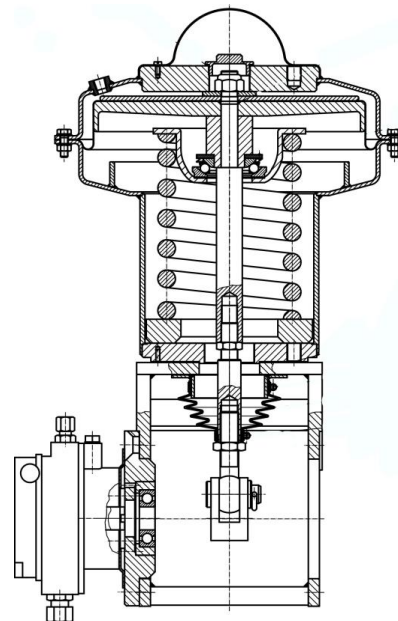
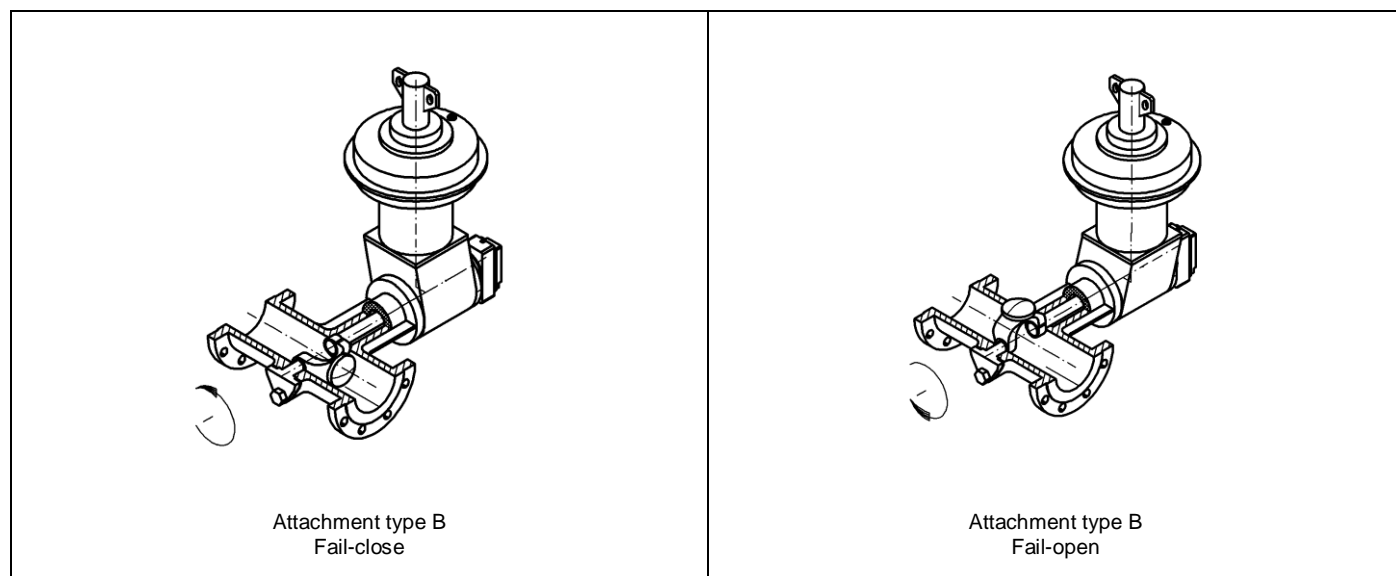


Fig. 2: Sectional drawing of Type MN Actuator

Table 1: Technical data

Type		MN200/40	MN300/40	MN300/52	MN300/52v
Version		Diaphragm			
Spring position		Centrally arranged spring			
Opening angles		75°			
Travel	(mm)	40		52	
Diaphragm area	(cm ²)	330	735	735	735
Spring range	(bar)	0.4 to 1.3	0.4 to 1.3	0.4 to 1.3	0.6 to 2.2
Spring torque	(Nm)	33	75	97	146
Temperature range	(°C/°F)	-20 to 80 °C / -4°F to 176 °F			
Supply air range	(bar)	3 - 4			
Weight (w/o yoke)	(kg)	20	37	65	65
Manual gear		Manual gear cannot be mounted			

Fig. 3: Attachment types



VETEC Ventiltechnik GmbH

Siemensstraße 12 · 67346 Speyer
Telefon: 06232 6412-0 · Fax: 06232 42479 · E-mail: vetec@vetec.de · Internet:
www.vetec.de