

Data Sheet
Actuator Type MZ (Pneumatic diaphragm rotary actuator)

Sizes: MZ450, MZ450v, MZ700, MZ700v

Version

Diaphragm - rotary actuator

Travel

100 mm / 130 mm

Opening angle

75°

Spring position

Centrally arranged spring

Diaphragm area

1636 to 3447 cm²

Spring torques

470 to 1976 Nm

Supply air range

3 to 4 bar

Ambient temperature range

-40 to 80 °C / -40 to 176 °F

Mounting of accessories

VDI/VDE 3845

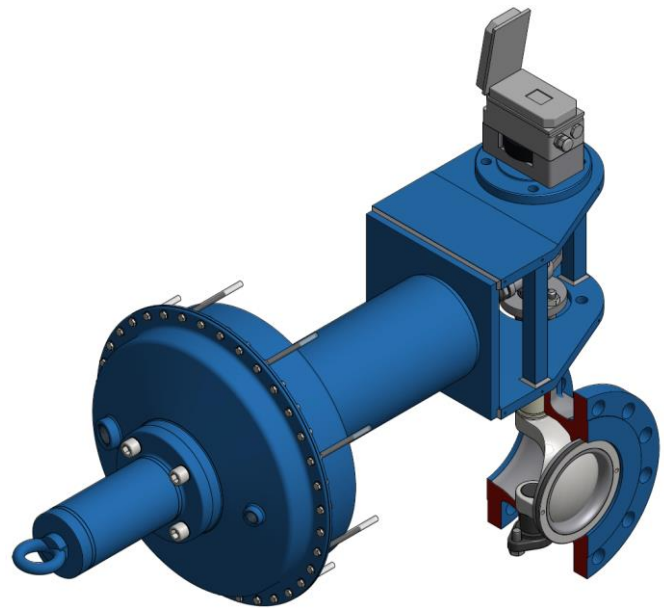


Fig. 1: Type MZ450 Actuator with Type 82.7 VETEC Valve

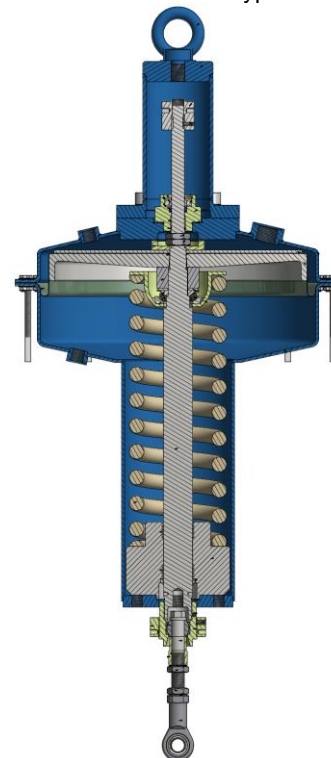


Fig. 2: Assembly Drawing Type MZ450 Actuator

Principle of operation:

The Type MZ Actuator is equipped with a diaphragm and a centrally arranged return spring on the inside.

The freely supported piston rod is directly connected to the lever for the valve shaft.

The optimized construction ensures very short actuating times and also for a very fine and precise control.

The actuator can be equipped with manual gears as well as end stops.

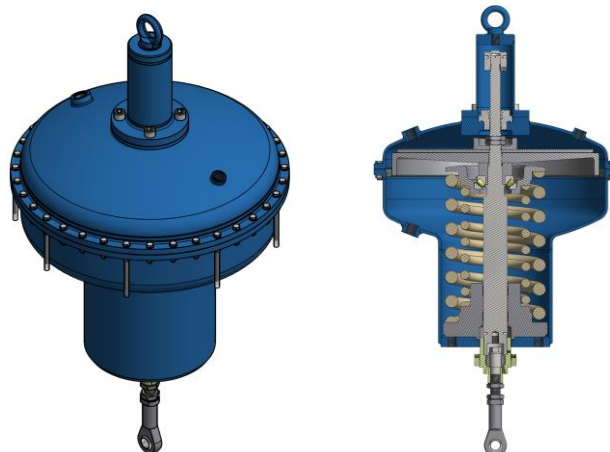


Fig.4: Assembly Drawing Type MZ700v

Fig. 3: Type MZ700v Fig.4: Assembly Drawing

Table 1: Technical Data


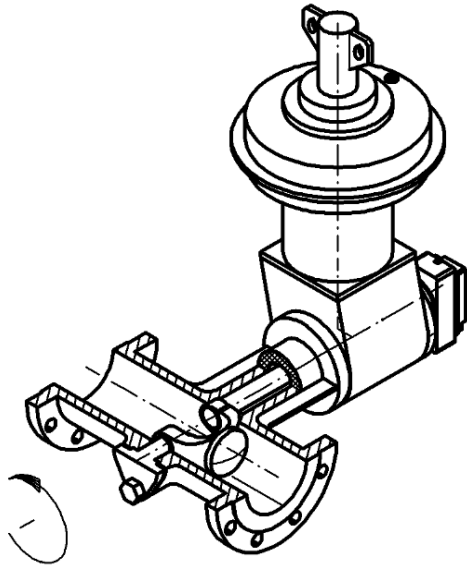
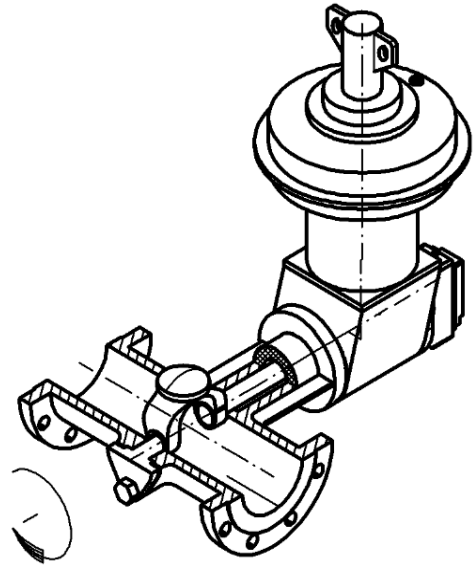
Type		MZ450 / MZ450v		MZ700 / MZ700v	
Version		Diaphragm			
Spring position		Centrally arranged spring			
Opening angles	[°]	75			
Travel	[mm]	100		130	
Diaphragm area	[cm ²]	1636		3447	
Spring range	[bar]	0.45 to 1.30	0.88 to 2.10	0.40 to 1.28	0.69 to 2.05
Spring torque	[Nm]	470	919	1145	1976
Temperature range	[°C / °F]	-40 to +80 °C / -40°F to +176 °F			
Supply air range	[bar]	3 to 4			
Weight (w bracket)	[kg]	165	170	510	520
Manual gear					

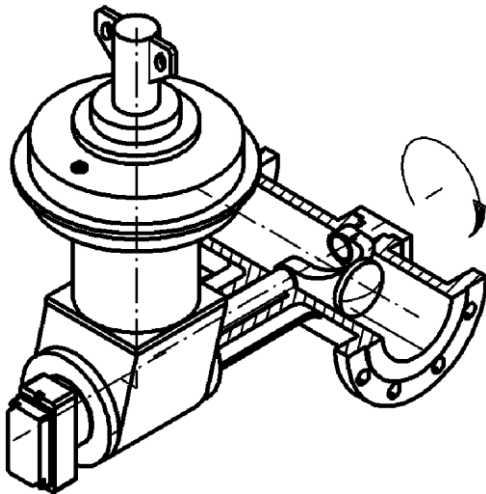
Table 2: Attachment Types



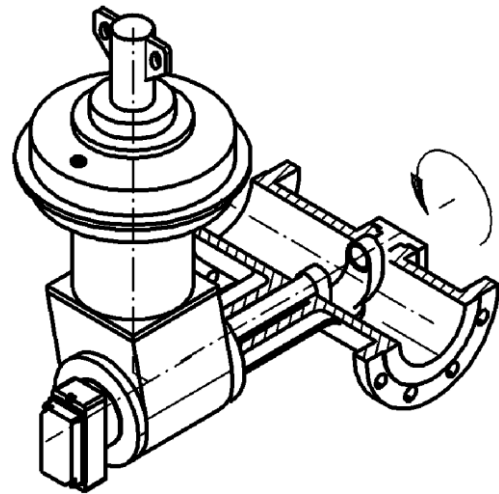
Attachment Type B
Fail-Close



Attachment Type B
Fail-Open



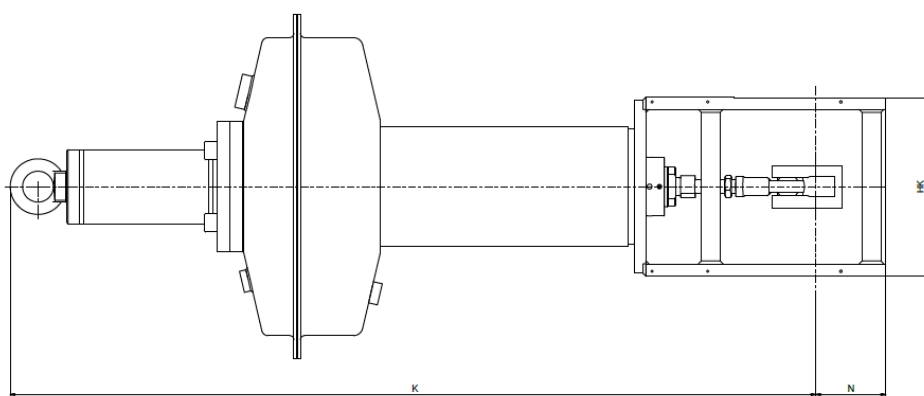
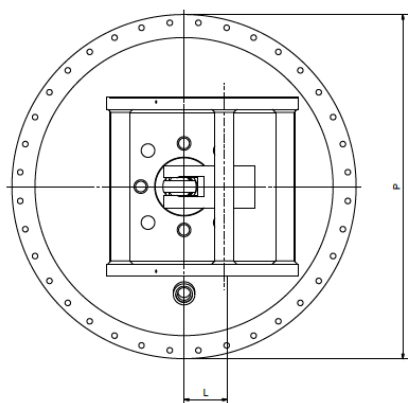
Attachment Type D
Fail-Close



Attachment Type D
Fail-Open

Table 3: Dimensions

Actuator Type	K	L	N	Ø P	HK
	Dimensions [mm]				
MZ 450 / 75	1300	65	150	557	240
MZ 700 / 75	1440	85	155	756	360



VETEC Ventiltechnik GmbH

Siemensstraße 12 · 67346 Speyer

Telefon: 06232 6412-0 · Fax: 06232 42479 · E-mail: vetec@vetec.de · Internet:
www.vetec.de