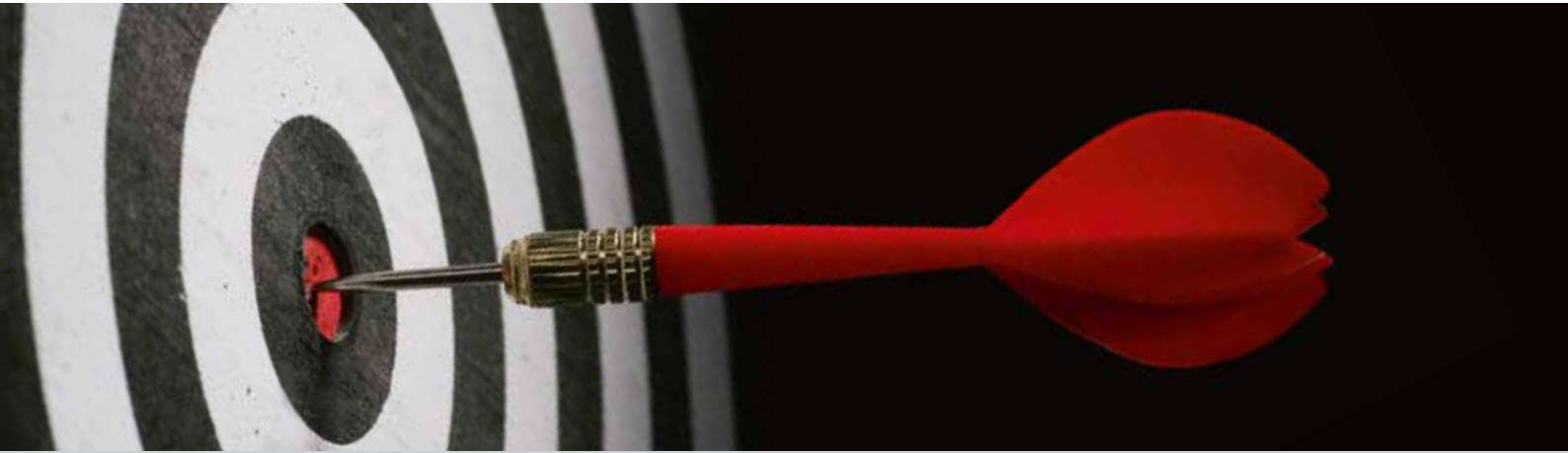
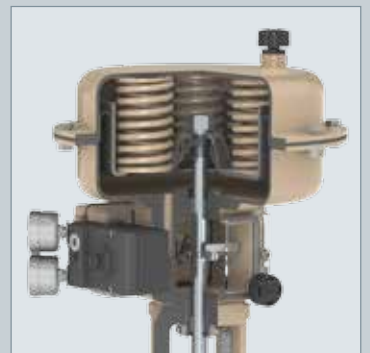
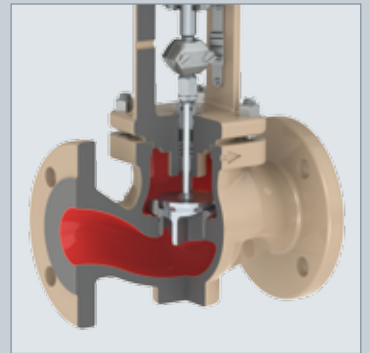


SAMSON

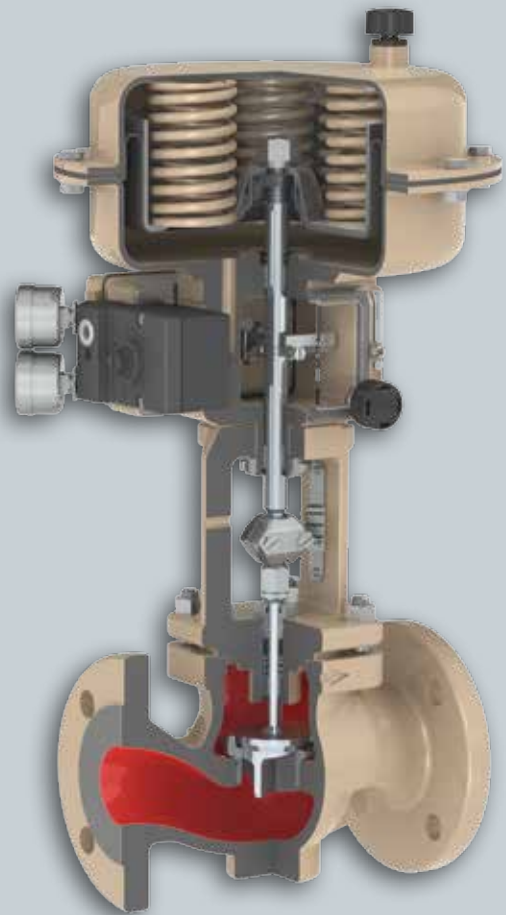
SAMSON



Good reasons to Choose the Type 3241 Control Valve



- Actuator sizes ranging from 120 to 2800 cm²
- Integral attachment of digital or analog positioners as well as limit switches with solenoid valves
- Completely housed mechanical valve travel linkage
- Actuator together with positioner can be rotated by 360°
- Separate bonnet allows the actuator to be exchanged without the need to open the valve
- Bonnet and body made of the same material
- Stem seal monitoring for better controllability
- Optional insulating section or bellows seal
- Low-lying guide bushing guarantees stable guidance
- Up to 15 K_{V5} coefficients available in steps of 1.6 for each valve size
- Optimal trim to suit special applications



SAMSON AKTIENGESELLSCHAFT

Weismüllerstraße 3 · 60314 Frankfurt am Main, Germany

Phone: +49 69 4009-0 · Fax: +49 69 4009-1507

E-mail: samson@samson.de · Internet: www.samson.de