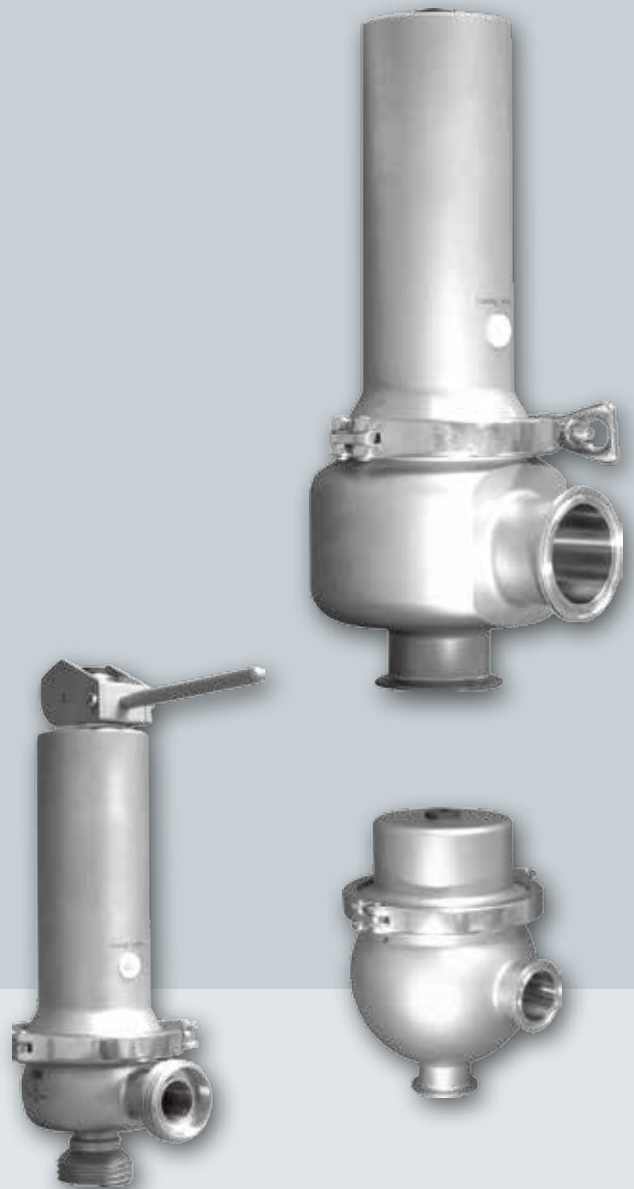
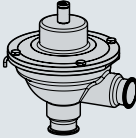
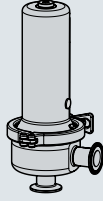
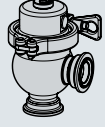
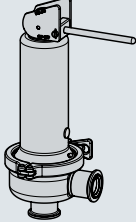


Clean and Reliable

Self-operated pressure regulators for the food processing and pharmaceutical industries

- Suitable for liquids and gases
from 0 to +160 °C (32 to 320 °F)
- Pressure reducing valve and excess pressure valve for
set points between 0.3 and 6 bar (5 to 90 psi)
- Optionally with pneumatic set point adjustment
- Cavity-free valve body design
- FDA-approved materials
- CIP and SIP versions with stem locking facility
to keep the plug open
- Wetted inside surfaces with polished or smooth finish



Versions				
Type	Type 2371-10 Pressure Reducing Valve with pneumatic set point adjustment	Type 2371-11 Pressure Reducing Valve	Type 2371-00 Excess Pressure Valve with pneumatic set point adjustment	Type 2371-01 Excess Pressure Valve with manual set point adjustment
CIP or SIP	Pneumatic and manual	Pneumatic and manual	Pneumatic	Pneumatic and manual
Nominal sizes	DN 32 to 50 (NPS 1¼ to 2)	DN 15 to 50 (NPS ½ to 2)	DN 15 to 50 (NPS ½ to 2)	DN 15 to 50 (NPS ½ to 2)
Industry standard connections¹⁾	Clamp connections acc. to ISO 2852 Threaded connections acc. to DIN 11887	Clamp connections acc. to ISO 2852 Threaded connections acc. to DIN 11887	Welding ends acc. to DIN 11850 Series 2	Welding ends acc. to DIN 11850 Series 2
Max. operating pressure	10 bar (150 psi)	10 bar (150 psi)	10 bar (150 psi)	10 bar (150 psi)
Set point range	0.3 to 6 bar (5 to 90 psi)	0.3 to 6 bar (5 to 90 psi)	0.3 to 6 bar (5 to 90 psi)	0.3 to 6 bar (5 to 90 psi)
K_{Vs} C_v	10 12	2 to 5.2 2.5 to 6	0.1 to 25 0.12 to 30	1 to 10 1.2 to 12
Permissible temperature	0 to 160 °C (32 to 320 °F)	0 to 160 °C (32 to 320 °F)	0 to 160 °C (32 to 320 °F)	0 to 160 °C (32 to 320 °F)
Sterilization temperature	180 °C (356 °F) Up to 30 min.	180 °C (356 °F) Up to 30 min.	180 °C (356 °F) Up to 30 min.	180 °C (356 °F) Up to 30 min.
Body Plug Diaphragm	1.4409 (CF3M) 1.4409 (CF3M) PTFE-coated EPDM diaphragm	1.4404 (316L) 1.4404 (316L) PTFE-coated EPDM diaphragm	1.4404 (316L) 1.4404 (316L) PTFE-coated EPDM diaphragm	1.4404 (316L) 1.4404 (316L) PTFE-coated EPDM diaphragm

¹⁾ Other end connections available