

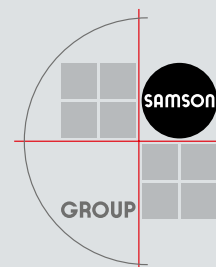
Switch to safety

Types 5343, 5344, 5345, 5347, 5348, 5349 Thermostats



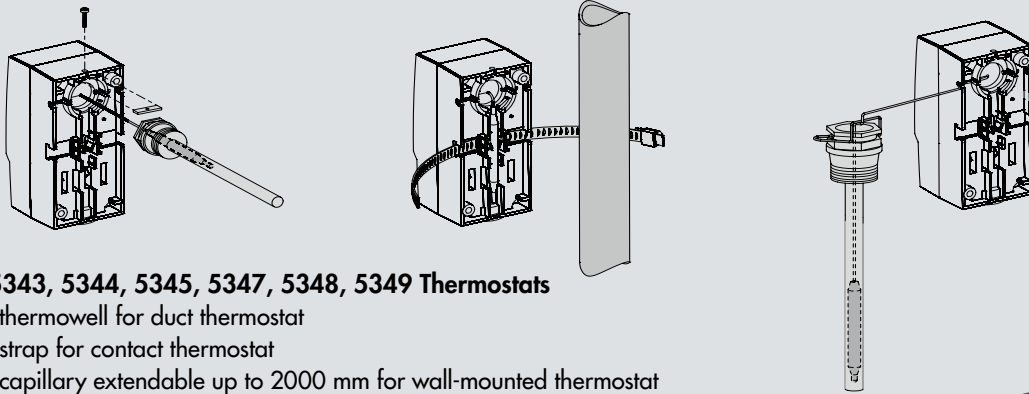
Single and double thermostats

- Safety temperature monitors (STM)
- Temperature regulators (TR)
- Safety temperature limiters (STL)
- Double thermostats TR/STL
- Double thermostats TR/STM
- Double thermostats STM/STL



Technical data

Type	Function	Temperature range
5343-1	STM	0 to 60 °C
5343-2	STM	40 to 100 °C
5343-3	STM	70 to 130 °C
5343-4	STM	35 to 95 °C
5344-1	TR	0 to 120 °C
5344-2	TR	20 to 150 °C
5345-1	STL	70 to 130 °C
5345-2	STL	30 to 90 °C
5347-1	TR/STL	TR: 0 to 120 °C/STL: 70 to 130 °C
5347-2	TR/STL	TR: 0 to 120 °C/STL: 30 to 90 °C
5348-1	TR/STM	TR: 0 to 120 °C/STM: 70 to 130 °C
5348-2	TR/STM	TR: 0 to 120 °C/STM: 40 to 100 °C
5349-1	STM/STL	STM: 70 to 130 °C/STL: 70 to 130 °C
Mounting accessories		
Thermowells made of brass or stainless steel (CrNiMo), 100 to 300 mm long		
Steel strap for 15 to 100 mm pipe diameter		



Types 5343, 5344, 5345, 5347, 5348, 5349 Thermostats

- With thermowell for duct thermostat
- With strap for contact thermostat
- With capillary extendable up to 2000 mm for wall-mounted thermostat
- Ambient temperature compensation for stable switching point
- Spring-clamp terminals for fast connection

