

Dump it With the Best

Ten good reasons to choose the Type 3525

SAMSON

■ The dump valve designed for oil and gas processing

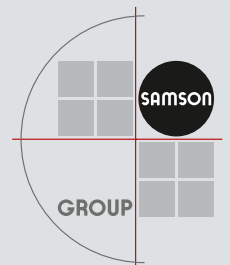
- Compressors
- Separators
- Meter skids
- Knockdown vessel
- Vapor recovery
- Dehydration unit
- Refrigeration plant
- Sweetening unit
- Scrubbers
- Fractionation

■ Standard features

- A352 LCC body
- Stellite 6 plug and seat
- Field-adjustable flow
- HSN/HNBR O-rings
- Low-emission packing
- NACE MR0175/ISO 15156 service

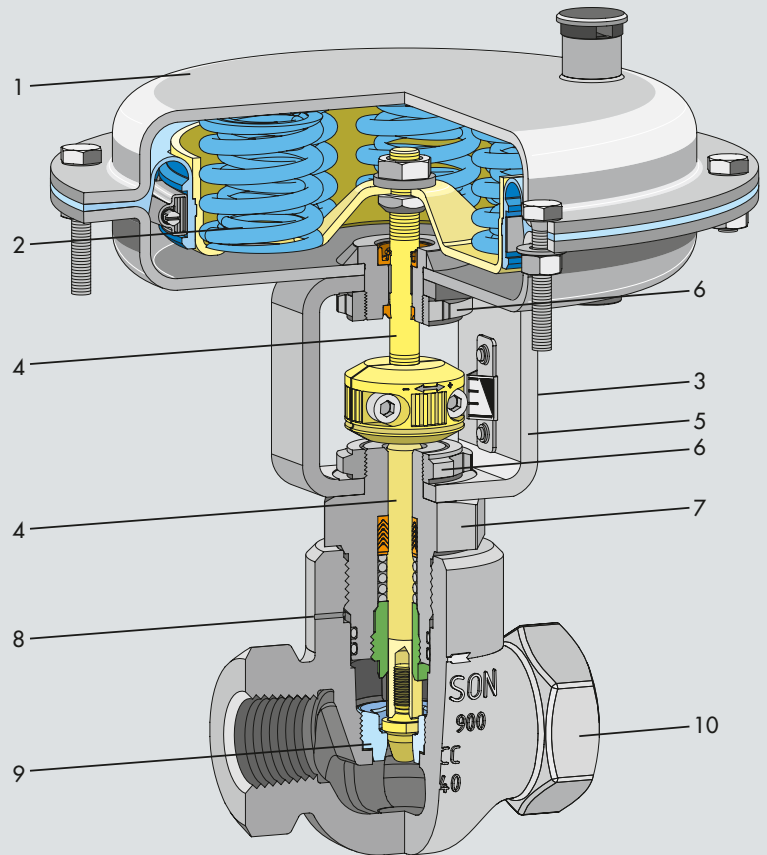
■ Optional

- Tungsten carbide plug and seat



Ten good reasons

1. Field-reversible actuator
2. Nested springs for full 2200 psi differential pressure shut-off
3. Easy accessory mounting
4. Easy maintenance due to separate actuator stem and valve stem
5. Stainless steel yoke
6. Easy separation of actuator and yoke as well as yoke and valve body
7. Large hex for easy bonnet removal
8. Safe bonnet pressure relief
9. Easy seat removal with $\frac{3}{4}$ " hex key
10. Large hex ends that allow easy and safe installation and removal



SAMSON CONTROLS INC.
1-105 Riviera Drive
Markham, Ontario · Canada · L3R 5J7
Phone: (905) 474-0354 · Fax: (905) 474-0998
Internet: www.samsoncontrols.com
SAMSON GROUP · www.samsongroup.de

SAMSON CONTROLS INC.
4111 Cedar Boulevard
Baytown, Texas · USA · 77523-8588
Phone: (281) 383-3677 · Fax: (281) 383-3690
Internet: www.samson-usa.com
SAMSON GROUP · www.samsongroup.de

SAMSON PROJECT ENGINEERING INC.
14811 St. Mary's Lane, Suite 130
Houston, Texas · USA · 77079
Phone: (281) 759-6900 · Fax: (281) 870-8007
Internet: www.samson-pe.com
SAMSON GROUP · www.samsongroup.de