

SAMSON

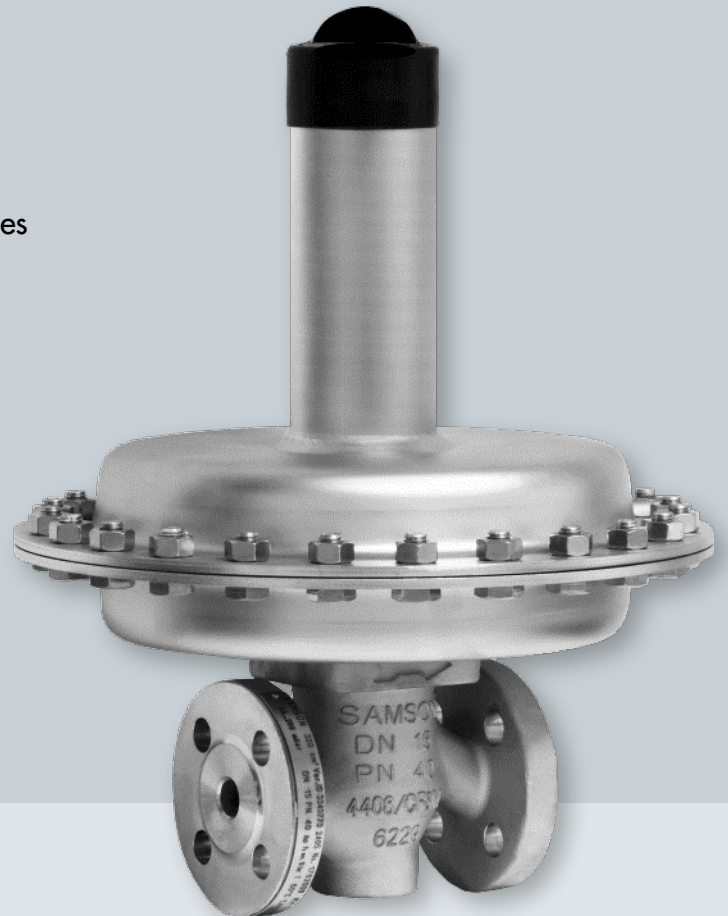
SAMSON



## Pressure Regulators for Gas Service

Type 2405 Pressure Reducing Valve, Type 2406 Excess Pressure Valve

- High control accuracy
- Compact design
- Internal set point springs
- Cost-effective solution
- Suitable for flammable and non-flammable gases
- Excellent leak-tightness to atmosphere (TA-Luft compliance)
- Suitable for pressure inertizing or blanketing of storage tanks
- Version for the food processing and pharmaceutical industries (FDA compliance for wetted plastic parts)
- Suitable for sour gas applications (NACE)



**Type 2405 Pressure Reducing Valve, Type 2406 Excess Pressure Valve**

Versions	DIN/ANSI/JIS
Nominal pressure	PN 16, PN 25, PN 40/Class 150/300, JIS 10 K and 20 K
Connection	DN 15 to 50 · NPS ½ to 2
Set points	0.005 to 10 bar · 0.075 to 150 psi
Permissible temperature	-20 to +60 °C (0 to 150 °C) <sup>1)</sup> · -5 to +140 °F (32 to 300 °F) <sup>1)</sup>
K <sub>V5</sub> and C <sub>V</sub> coefficients <sup>2)</sup>	K <sub>V5</sub> 0.016 to 32 · C <sub>V</sub> 0.02 to 37
Body	Cast iron, cast steel, stainless steel
Diaphragm	EPDM/FKM/NBR
Plug seal	EPDM/FKM/NBR

<sup>1)</sup> Up to 150 °C in regulators with KVS 0.016 to 4 in combination with FKM diaphragm or soft sealing

<sup>2)</sup> Depending on nominal size