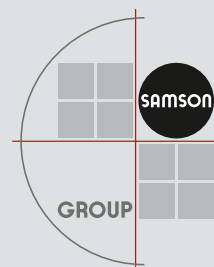
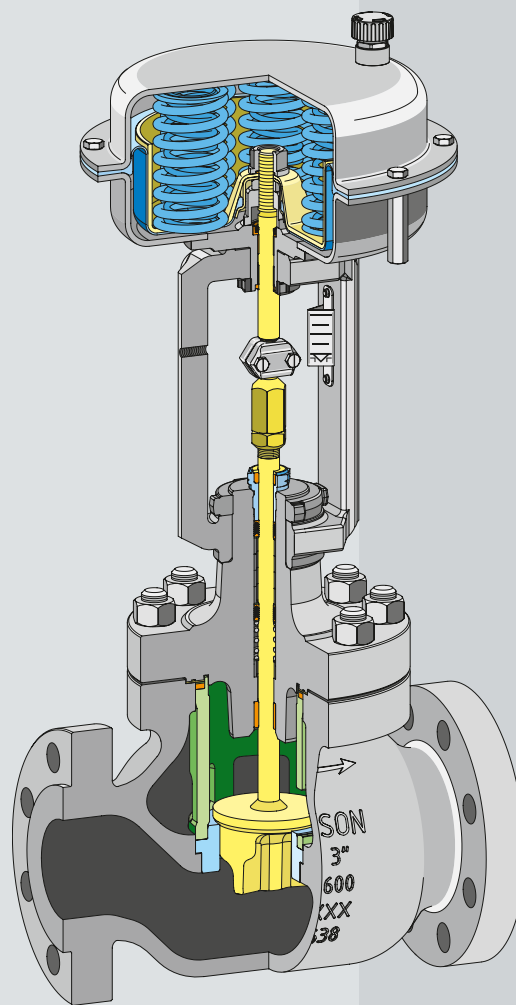
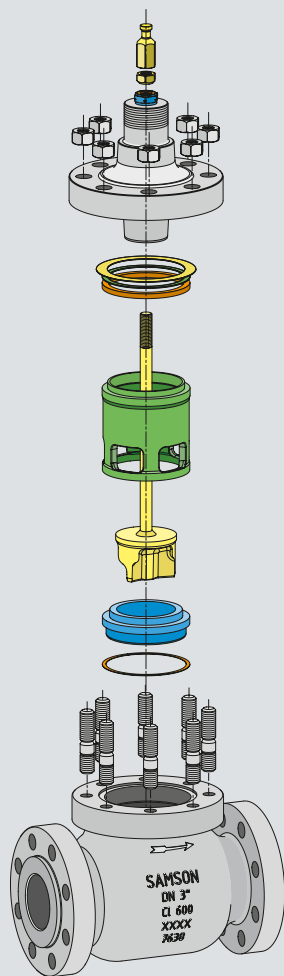


New Control Solution with Proven Parts


Type 3291 Globe Valve



- Maintenance-friendly valve
- No special tools required for valve assembly
- Cage-retained seat
- Tried-and-tested valve parts



Technical data

| | | |
|-------------------|---|--|
| Valve sizes | NPS ½ to 8 (other valve sizes on request) |  |
| Pressure rating | Class 150 to 900 (further versions on request) | |
| Temperature range | -198 to 450 °C -325 to 842 °F | |
| Materials | A 352 LCC, A 216 WCC, A 217 WC6, A 351 CF3M, A 351 CF8M | |
| End connections | Flanges: all ANSI versions Welding ends: according to ANSI B16.25 | |
| Seat-plug seal | Metal seal, soft seal or high-performance metal seal (leakage class IV to VI) | |
| Characteristic | Equal percentage, linear or on/off | |
| Rangeability | 50 : 1 | |

