

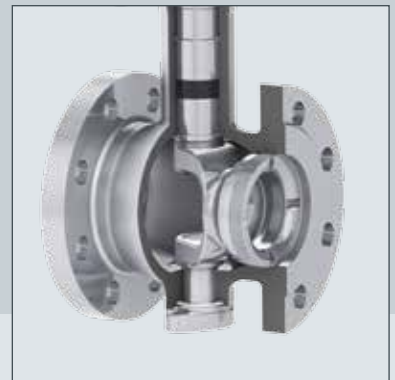
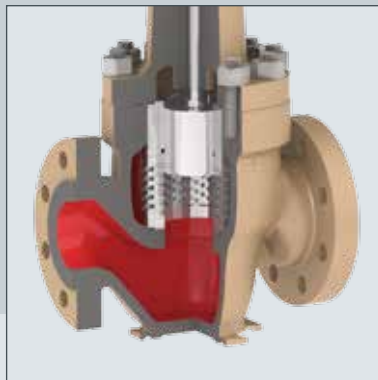
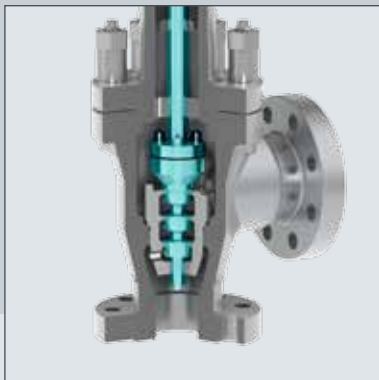
SAMSON

**SAMSON**



## **SOLUTIONS FOR THE OIL AND GAS INDUSTRY**

UPSTREAM – MIDSTREAM – DOWNSTREAM



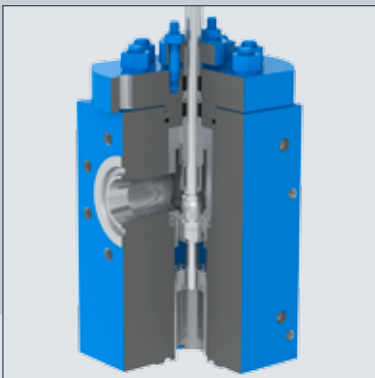
SMART IN FLOW CONTROL.

# UPSTREAM



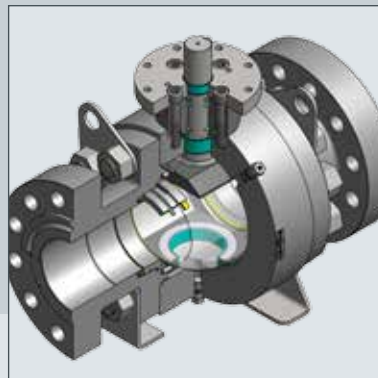
## CHOKE VALVES

- Adjustable chokes for handling high-pressure drops, sour gas, multi-phase flows, and J-T conditions
- Certified according to API 6A with quality levels from PSL 1 to PSL 4 available
- For use up to working pressures of 15,000 psi and with multi-stage trim solutions



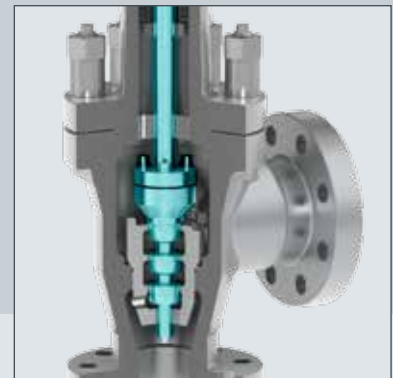
## API BALL VALVES

- Forged steel ball valves in carbon, stainless, duplex, and special alloys, designed in accordance with API 6A and 6D
- Soft- and metal-seated solutions from cryogenic to high temperature services
- Manual and actuated (pneumatic, hydraulic, electric, gas-over-oil, HIPPS) solutions



## CONTROL VALVES

- Dirt-insensitive trim designs for critical control applications with high pressure drops
- Wide range of anti-cavitation, noise reduction, and anti-erosion trims available
- Successfully used in oil and gas processing plants, EOR processes



# MIDSTREAM



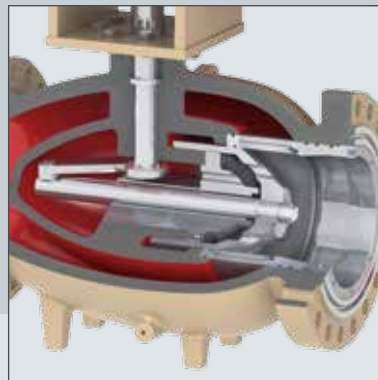
## ACTUATED VALVES

- Pneumatic, hydraulic, or gas-over-oil actuated valves providing reliable shut-off
- Fully welded valves up to NPS 60 for gas transmission lines
- Top-entry design available to facilitate simplified in-line valve maintenance



## AXIAL FLOW VALVES

- Solutions for critical safety applications, such as anti-surge valves, HIPPS
- High-capacity valves with rotary-to-linear drive mechanism to reduce actuator size
- Fast response with minimal dead band compared to other commonly used designs



## CRYOGENIC VALVES

- Used in cold-box applications for natural gas liquefaction, LNG transport and regasification
- Top-entry design for easy maintenance
- Globe, butterfly, eccentric plug, and ball valve designs available for cryogenic service

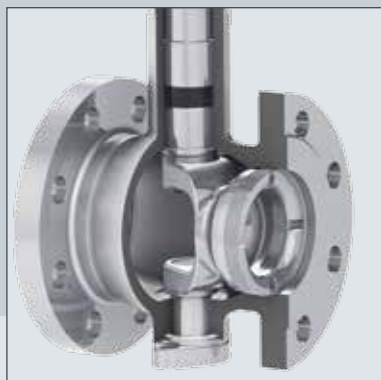


# DOWNSTREAM



## ECCENTRIC PLUG VALVES

- Double-offset design eliminates friction, reduces torque, and ensures precise control
- Unobstructed flow path when open, less flow turbulence, high turndown ratio, and less wear on the internal parts
- Perfect solution for viscous flows and flows containing solid particles, such as slurries



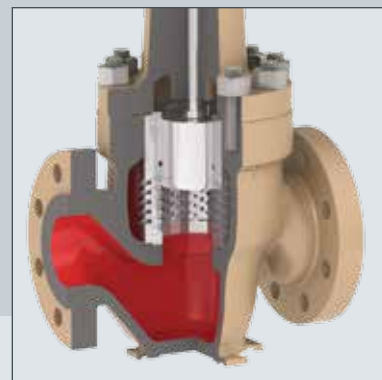
## BUTTERFLY VALVES

- High-performance double- and triple-offset designs achieve tight shut-off with soft or metal seals
- Used in fast-closing applications with low-noise trims to achieve high efficiency and stability
- Well suited for high-cycle and high-temperature applications



## GLOBE CONTROL VALVES

- Wide variety of flow control valves in sizes from NPS ½ to NPS 32
- Severe service solutions for challenging flow conditions, such as two-phase flows, flashing, and cavitation
- Metal bellows for hazardous media to prevent fugitive emissions





# SAMSON

AIR TORQUE · CERA SYSTEM · KTELEKTRONIK · LEUSCH  
PFEIFFER · RINGO · SAMSOMATIC · STARLINE · VETEC

## VALVES

- Control and on/off valves used extensively in the most demanding conditions
- Suitable for extreme pressures and temperatures in severe service
- Designs include globe, ball, butterfly, and rotary plug valves

## ACTUATORS

- Solutions for pneumatic, hydraulic, and gas-over-oil applications
- Designs include scotch yoke, rack-and-pinion, and linear actuators
- Available in a wide variety of materials suitable for use in demanding applications

## SMART DEVICES

- Digital positioners for linear and rotary valves that work in extreme conditions
- Available for both HART® and FOUNDATION™ fieldbus communication
- Easy operation with state-of-the-art valve diagnostics

SAMSON

**SAMSON**

SOLUTIONS FOR THE  
OIL AND GAS INDUSTRY



● Production sites    ● Subsidiaries

SAMSON AKTIENGESELLSCHAFT  
Weismuellerstrasse 3 · 60314 Frankfurt am Main, Germany  
Phone: +49 69 4009-2144 · Fax: +49 69 4009-1507  
E-mail: [oilandgas@samson.de](mailto:oilandgas@samson.de)  
Internet: [www.samson.de](http://www.samson.de)

SAMSON Controls, Inc. (USA)  
4111 Cedar Boulevard · Baytown, Texas 77523-8588  
Tel: (877) SAMSON8 · Fax: (281) 383-3690  
E-mail: [oilandgas@samsongroupna.com](mailto:oilandgas@samsongroupna.com)  
Internet: [www.samsoncontrols.com](http://www.samsoncontrols.com)

SMART IN FLOW CONTROL.