

SAMSON

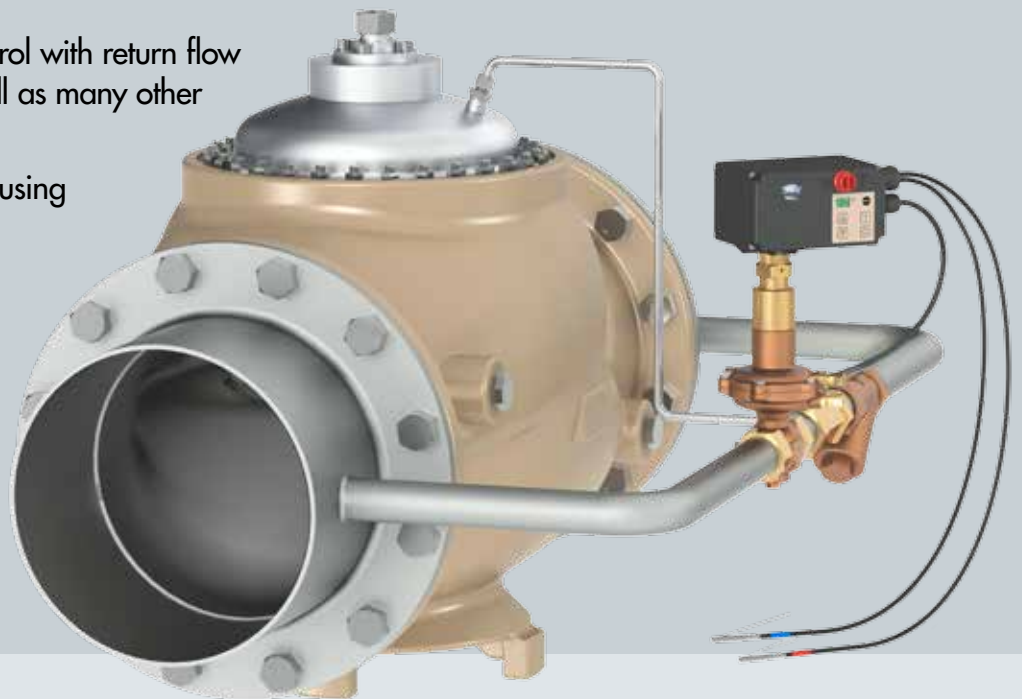
SAMSON

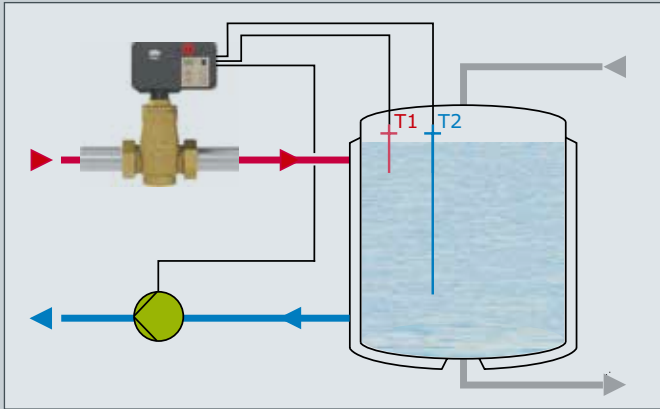


## Improved Energy Efficiency

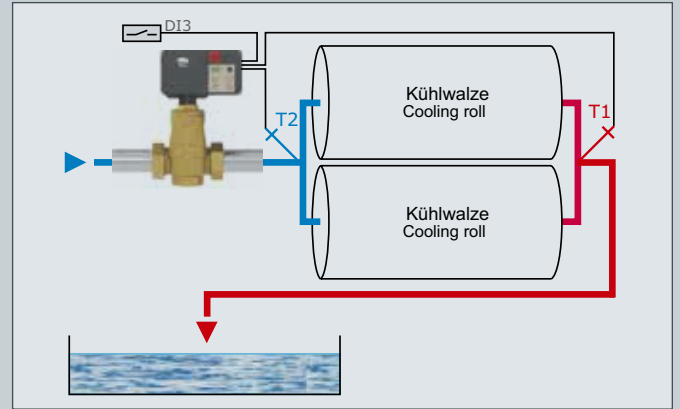
Solution for large valve sizes

- Pilot-operated valves in sizes up to DN 400
- For use in heating or cooling circuits together with TROVIS 5724-8 Electric Actuators with Process Controllers
- Differential temperature control with return flow temperature limitation as well as many other applications
- Communication connection using RS-485 two-wire bus with Modbus RTU protocol

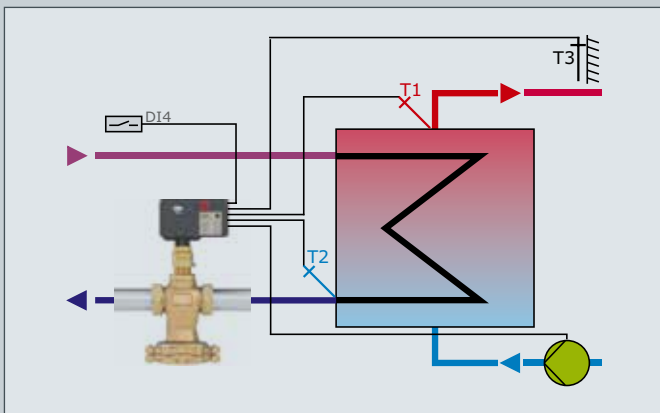




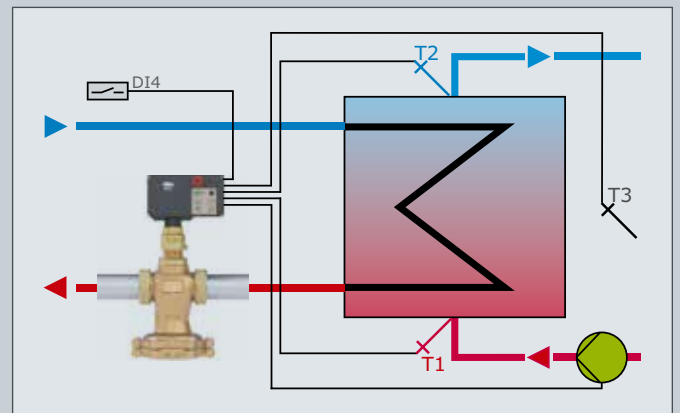
Example: heating process



Example: cooling process



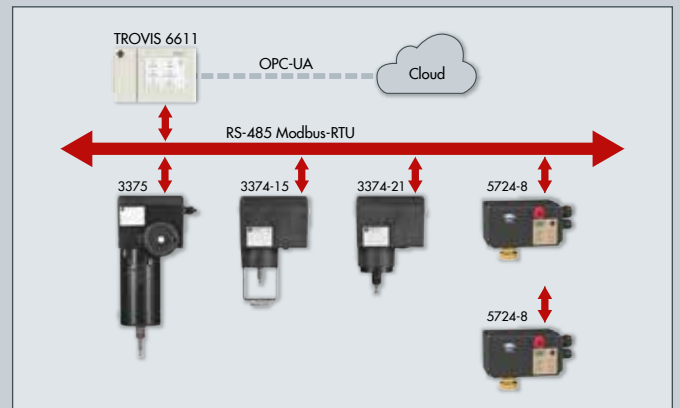
Example: district heating



Example: district cooling

### Minimum pressure ranges

DN	Approx $\Delta p_{\min.}$ depending on application
125	1.1 to 1.3 bar
150	0.7 to 0.9 bar
200	0.4 to 0.6 bar
300	0.5 to 0.7 bar
400	0.3 to 0.5 bar



SAMSON AKTIENGESELLSCHAFT  
 Hanover engineering and sales office  
 Potts Kamp 3 · 31515 Wunstorf, Germany  
 Phone: +49 5031 9518-0 · Fax: +49 5031 9518-18  
 E-mail: vb-hannover@samson.de · Internet: www.samson.de