



CUSTOMIZED CONTROL SOLUTIONS

Analysis Equipment for Natural Gas and LNG

Modular Systems & Solutions

SMART IN FLOW CONTROL.

SAMSON: YOUR PARTNER FOR NATURAL GAS AND LNG ANALYSIS TECHNOLOGY



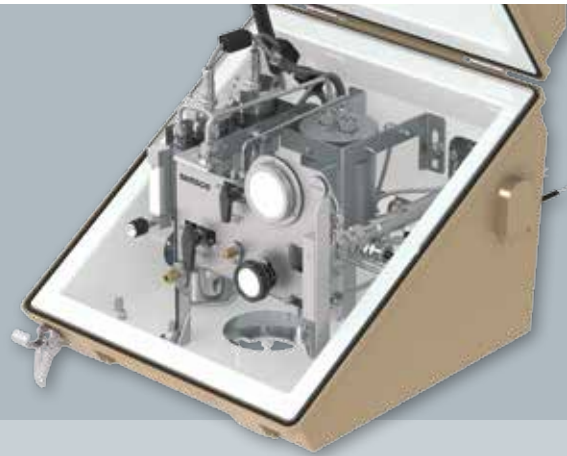
- Individual consulting and customer support
- Customized solutions
- Standard solutions
- Extensive expertise in design engineering and manufacturing
- Compact turnkey systems for quick and simple installation
- Global sales and service network
- Commonly used standards, regulations and certificates (ATEX, OIML R140, PED, etc.)

GasPT SENSOR UNIT



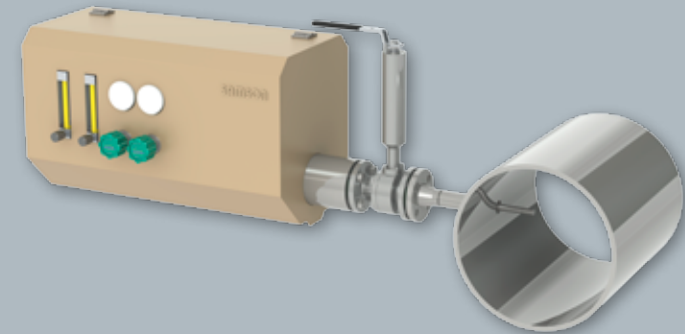
- Sensor unit for natural gas analysis
- Fast response time (<10 s)
- Determination of gas properties, such as calorific value, Wobbe index, methane number, density, C1 to C3 gases, CO₂ concentration
- Accuracy ±5 % of calorific value
- Reproducibility of calorific value ±0.04 MJ/m³
- No maintenance at regular intervals required
- No calibration or carrier gas required
- Certification according to ATEX and OIML R140

GasPTi MEASURING SYSTEM



- Compact turnkey system for natural gas analysis
- Includes sampling probes using VE Technology®
- Direct mounting on the pipeline
- Fast response time (<10 s)
- Continuous measurement
- Low cost
- No calibration or carrier gas required
- No maintenance at regular intervals required
- Determination of gas properties, such as calorific value, Wobbe index, methane number, density, C1 to C3 gases, CO₂ concentration
- Accuracy ±5 % of calorific value
- Reproducibility of calorific value ±0.04 MJ/m³
- Certification according to ATEX and OIML R140

LNG MEASURING SYSTEM



- Compact turnkey system for LNG analysis
- Direct mounting on LNG pipeline possible
- Includes sampling system, LNG vaporizer and GasPT sensor unit
- Vaporizer also available separately
- Fast response time (<10 s)
- Continuous measurement
- Low cost
- No calibration or carrier gas required
- No maintenance at regular intervals required
- Determination of gas properties, such as calorific value, Wobbe index, methane number, density, C1 to C3 gases, CO₂ concentration
- Compliance with ISO 8943
- Certification according to ATEX, IECEx and CSA

SAMSON AT A GLANCE

STAFF

- Worldwide 4,000
- Europe 3,300
- Asia 500
- Americas 200
- Frankfurt am Main, Germany 1,600

SALES SITES

- More than 50 subsidiaries
- More than 200 representatives

MARKETS

- Chemicals and petrochemicals, energy, district heating, district cooling, building automation, industrial applications, industrial gases, food, beverages, metallurgy, mining, oil and gas, pharmaceuticals, biotechnology, marine equipment, water and wastewater, pulp and paper

PRODUCTION SITES

- SAMSON Germany, Frankfurt
- SAMSON France, Lyon
- SAMSON Turkey, Istanbul
- SAMSON USA, Baytown, TX
- SAMSON China, Beijing
- SAMSON India, Pune district
- SAMSON Russia, Rostov-on-Don
- SAMSON AIR TORQUE, Bergamo, Italy
- SAMSON CERA SYSTEM, Hermsdorf, Germany
- SAMSON KT-ELEKTRONIK, Berlin, Germany
- SAMSON LEUSCH, Neuss, Germany
- SAMSON PFEIFFER, Kempen, Germany
- SAMSON RINGO, Zaragoza, Spain
- SAMSON SED, Bad Rappenau, Germany
- SAMSON STARLINE, Bergamo, Italy
- SAMSON VETEC, Speyer, Germany



SAMSON AKTIENGESELLSCHAFT
Weismuellerstrasse 3 · 60314 Frankfurt am Main, Germany
Phone: +49 69 4009-0 · Fax: +49 69 4009-1507
E-mail: samson@samson.de · Internet: www.samson.de